

THE UFO REGISTER

The Official Organ of
Data Research
CONTACT INTERNATIONAL (U.K.)

VOLUME 9
PARTS 1 and 2
1978

Oxford:
Published by Data Research
48 Crown Road
Wheatley
Oxford OX9 1UL

THE
UFO REGISTER

A BI-ANNUAL JOURNAL FOR RECORDING AND
DISSEMINATING FACTUAL INFORMATION RELATING
TO THE UFO PHENOMENON

DATA RESEARCH

Field Agent Coordinator – J. Sears
Senior Research Officer – D.N. Mansell

Research Officers – F. Passey
G. Ambler
S. Rees
S. Robb
J. Loveridge

Programme Coordinator & Editor – J.B. Delair
Archivist – E. Cox
Librarian – J.B. Delair

Unless otherwise stated all material in this journal is

© CONTACT INTERNATIONAL (U. K.)

All authors are wholly responsible for the factual accuracy
of the contributions

THE UFO REGISTER

Volume Nine,
Part One.

December 1978.

C o n t e n t s

Editorial.....pages 1 - 2.

"A Catalogue of Historical UFO Reports: Part Seven",
by Lucius Parish.....pages 3 - 7.

"Correcting the UFO Record; No:1. The Monza Hoax of 1954",
by Guiliano Terruzi.....pages 7 - 8.

"Eliminating the Effects of Inertia; Part Two.
Applications of the Inertial Paradox; Flying Patterns
of UFOS", by Kiril Terziev.....pages 8 - 26.

EDITORIAL

In the seventh volume of the "UFO Register", in an article devoted to ufo waves and their possible future prediction, your editor forecast that the then next ufo wave of any significance would occur in 1977 or possibly 1978. A similar conclusion had been independently reached by Dr. David Saunders in the USA. Your editor imagines that Dr. Saunders was as encouraged as he himself was when ufo activity duly increased in wave proportions during the 1977-8 period. Indeed, the incredible number of ufo sightings reported to ufo organizations all over the world during that period has been truly phenomenal. If the quantity of individual reports received at Data Research's headquarters for this period is a true yardstick then the 1977-1978 ufo wave will almost certainly prove to be the largest we have yet monitored. It will be another two full years before all received reports can be properly assessed and evaluated, while, of course, many "late" reports for that same period are still arriving to compound our problems.

The use above of the word "monitored" is regrettably inaccurate insofar as man did not monitor the actual wave until it was well under way or, in some instances, had actually ceased. This situation has been recognized for many years and was highlighted by the ill-fated Condon Committee. The sad reality still is --- ten years on from the Condon Committee's findings --- that we still cannot predict where ufo waves will occur. Thus, although it would appear that ufo waves can now be predicted with reasonable confidence for specific periods in the future, we are as yet unable to pinpoint precisely where the geographical foci of the waves will occur. Quite clearly a great deal more research needs to be undertaken in order to devise a working method that will permit this goal to be achieved. Such research will entail the systematic collection and evaluation of a great deal more information than we presently possess, which, in turn, requires more comprehensive data collecting nets than are currently used. We may examine the attendant difficulties.

Ufo organizations usually receive a large proportion of the ufo sightings in their archives direct from members subscribing to the organizations, from members of the general public, or from domestic and foreign based correspondents with whom they happen to be in liaison. Another major source of ufo reports are the national and provincial newspapers.

None of the abovementioned sources are truly reliable, and neither can be said to provide a really comprehensive network of monitoring agencies. True, such sources are often all that is available in many regions, and, as such, must be cherished and nurtured; but nurturing an intrinsically inadequate thing is most unlikely to improve its condition to any acceptable degree. New and improved methods must be developed, or, at the very least, existing ones greatly refined and/or augmented.

It is a well known fact that newspaper files are seldom printed in full, whereby perusal of such archives (when admittance to same is gained) frequently reveals large numbers of ufo sightings lodged by local inhabitants who, thinking of no better repository, sent-in their observations to the newspaper in question. If one pauses to consider the total number of British newspaper offices in existence, and then adds the equivalent number of such offices in all the countries of the world, it is not difficult to realise just how large a percentage of ufo sightings never reach ufological organizations at all.

Precisely the same arguments apply to police and security force premises storing such data, again submitted by individuals who, at the times concerned, knew of no better addresses to which to send accounts of their ufo experiences. In addition it is known that coast-guard centres, astronomical observatories, and the Ministry of Defence, all possess ufo reports received from well-meaning members of the public. All such reports, it need scarcely be said, are difficult to obtain without much effort, and sometimes obstinacy. History has shown that comparatively few active ufo researchers have displayed the kind of tenacity required to unearth ufo material preserved in the archives of the bodies just listed; and so the relevant ufo data has remained there (one hopes) quietly doing nothing and assisting nobody in their researches.

The sum total of this hopefully preserved, seldom accessible, and generally unknown data must be truly enormous. Yet it is hardly ever perused let alone used by investigating ufologists, even though those very same ufologists tacitly admit to knowing that such large numbers of reports do indeed exist. The problem is that so few ufologists, even those purporting to be leaders in ufological enquiry, actually do anything towards remedying this situation. Ted Bloecher in his "Report on the UFO Wave of 1947" showed just what could be achieved by rumaging about in ufo files at newspaper offices. But Bloecher's efforts were directed at only one year, 1947. His results were impressive. One hesitates to wonder at what the outcome would be if all newspaper archives were ransacked for ufo reports for all other years. Similarly, the files of police, coast-guard, and other pertinent bodies.

Thus our use of the word "monitored" is a travesty of its true meaning. Ufologists complain that they lack data for certain periods or for certain regions. The reality is that such data probably does exist, and that they are too apathetic to do much about retrieving it. Of course, many long hours spent by many cooperating individuals would be necessary to extract all relevant material from the aforementioned repositories. One does not minimise the scale of the task. But until ufologists agree a concerted plan of action to retrieve this mass of data they have little right to complain about the situation. A large portion of it is of their own making.

The Editor.

A CATALOGUE OF HISTORICAL UFO REPORTS: PART SEVEN

by
Lucius Farish.

(This installment continues the detailed catalogue of incidents involving ufos or ufo-like objects and phenomena antedating 1947 published in earlier volumes of this journal. As before, the various incidents are presented chronologically, as concisely as practicable, and are furnished with references.

This particular series has been mostly extracted from the well-known FATE magazine, which, in its readers' letters pages, contains an unusually rich vein of pre-1947 ufological cases. As back issues of this magazine are now difficult or impossible to obtain, and may be difficult of access for many readers, it seems sensible to bring these old cases together in the present installment.

Readers who encounter additional early ufo records suitable for inclusion in a future installment of this catalogue, and which have been excluded from the previous six parts, are cordially invited to submit full details of such events to the author, either through Data Research's headquarters at Wheatley, or direct to his home address at Route One, Plumerville, Arkansas 72127, USA. All such contributions will be gratefully received and acknowledged: ED.)

Incident 113: A.D. 1908 (?). An object described as a "perfect sphere" and appearing like "polished silver" was seen in Peoria, Illinois, on an unspecified date. The sphere moved rapidly from north to south in a cloudless sky with no deviation in its course. The outline of the object was very distinct and its diameter judged to be 40-45 feet. The object was soundless and left no trail. It was visible for about 30 seconds, and disappeared into the southern sky. The observer gave the date of viewing as "probably six years previous to World War I".

(Flying Saucers, Jan.1962, "letters").

Incident 114: A.D. 1909. In northern Germany, an observer was looking at the lights of a village about a mile away, when he saw a "bright white light...doing a curious dance". After about a minute, the light approached the observer, "passing within 100 yards of me at an elevation of about 60 feet. It was visible for only about three seconds before vanishing over the horizon.

(Fate, July 1951, "report from the readers").

Incident 115: A.D. 1916. In June, at a small village in southern Ohio, an object which was first thought to be a meteor was seen at about 9.00 one night. As the observer watched, the object zig-zagged and curved its flight path until it halted above a tree approximately 200 feet away. It's appearance at this point was "like a pale yellow-white moon". It then seemed to be about five feet in diameter. As it slowly approached the observer, he threw up his hands and called for the object to stop. It hesitated at a yard fence for a few minutes, then returned to its position above the tree. It then rose into the air and disappeared. After the witness went to bed, the object reappeared at his bedroom window. Frightened, he pulled the covers over his head and could not say how long the object remained outside his window.

(Fate, January 1956, "report from the readers").

Incident 116: A.D. 1916. At a location in Europe, designated only as the "British front", an observer saw an object in the sky resembling a Zeppelin airship. The object rose straight towards the clouds, unlike a conventional flying machine. It then darted forward at an estimated speed of 200 miles per hour, turned,

darted backward and forward again, and finally disappeared by rising into the clouds. There were two other witnesses to this event, which occurred on the morning of December 17th.

(Flying Saucers, May 1959, "I Saw a Flying Saucer").

Incident 117: A.D. 1918. At an unspecified location in the United States, in the Autumn of 1918, a man and his wife observed a small light in the road ahead of their horse drawn wagon about 10.00 p.m. When first sighted, the light was estimated to be two miles distant, but grew in size as it rapidly approached the couple. The route necessitated crossing a small bridge over a deep gully so the driver pressed his team to avoid meeting what he thought to be a car with only one headlight. When they reached the bridge, the mysterious light was illuminating the area for nearly half a mile around. The ball of light stopped about 150 feet from the wagon for a moment. The horses shied and tried to leave the road, as the light was blinding. The light then receded to its original position. There was no sound. The road surface was also searched for tracks or markings, but none were found.

(Fate, January 1958, "report from the readers").

Incident 118: A.D. 1920 (?). A 10-year old boy in northern Montana (exact site not named) observed a silvery cylindrical object moving rapidly from northwest to southeast, at an apparently high altitude in a cloudless sky. The speed was estimated to be two or three times that of a modern jet airplane.

(Fate, April 1954, "report from the readers").

Incident 119: A.D. 1920. At a location on the Gulf Coast, about 50 miles from Freeport, Texas, an observer saw a rapidly-moving disc while fishing at approximately 2.00 a.m. one Autumn morning. The object seemed headed directly for him, but when some 100 yards distant, it turned south and could then see three additional discs following it. All seemed to be of identical size and shape, although the light they emitted varied from brilliant pink to pale green. The witness described each object as "two big silver plates set edge to edge". Each appeared to be about 25 feet in diameter and 10 feet thick at the centre. No spinning motions were observed. The objects began climbing as they headed south, and faded out in the distance.

(Fate, February 1955, "report from the readers").

Incident 120: A.D. 1921. A bright disc, the apparent size of a washtub, was seen from an unspecified location (?Ohio) in the July of this year. It made a screeching noise and frightened the observer's horses as it flew overhead while he was ploughing his field.

(Fate, April 1954, "report from the readers").

Incident 121: A.D. 1922. In late summer (exact date not known), near Wellston, Ohio, five boys were returning home from a prayer meeting about 11.00 p.m., when they noticed a bright light high in the sky. The light assumed a "funnel" shape as it descended. It illuminated the area with a pinkish glow as bright as daylight and was visible for about 30 minutes. It then began to fade and the funnel rose into the air until it looked like a bright point of light. This disappeared after a time.

(Fate, May 1957, "report from the readers").

Incident 122: A.D. 1925. A pilot and passenger, having landed on Flat Mesa, near Battle Mountain, Nevada, observed a saucer-shaped object approaching in the sky.

As it landed, skidding to a stop about 30 feet from the observers, they saw it was about eight feet in diameter. The underside was of a reddish colour. They approached the object and were startled to find that it seemed to be alive. "It was hurt and as it breathed, the top would rise and fall making a half-foot hole all round it, like a clam opening and shutting. Quite a hunk had been chewed out of one side of this rim and a sort of metal-looking froth issued from it. When the object "saw us" it breathed frantically and rose up only a few inches, only to fall back to earth again. It was moist and glistened on the top side. We could see no eyes or legs". The observers remained about 10 feet from the object and after about 20 minutes or so it began pulsating again. It then "grew as bright as all get out, except where it was hurt. It had a mica-like shell body. It tried to rise up, but sank back again". At this point the observers noticed a large round shadow falling over them, and looking up they saw a larger object or animal, some 30 feet in diameter. They ran, but the larger one paid no attention to them. It settled over the smaller object and seemed to grasp it with four "sucker-like tongues". The larger object then became dazzlingly bright, as both objects rose straight up and vanished from sight almost immediately. The percipients walked to where the smaller object has rested and found that the "froth" from the object resembled fine aluminium wire. There was more such material in a 30-foot circle where the larger object has "breathed". The air was filled with an "awful stench". The "froth eventually melted in the sun.

(Flying Saucers, October 1959, "I saw a Flying Saucer").

Incident 123: A.D. 1925. On July 14th., 1925, a man and his wife at Akron, Ohio, saw a comet-like object at approximately 9.45 p.m. It had a blazing head and the tail "was of green, blue, and purple lights nearly as brilliant as arc lighting". It moved at a "leisurely" pace, leaving a cigar-shaped smoke cloud of some 15 feet in length. Overall, its length was estimated at 200 feet. Its passage was nearly horizontal, with the smoke trail remaining visible for nearly 10 minutes. A faint "hissing" sound was heard. It remained in view for about three minutes when it "suddenly lit its 'windows' in a band round the hull so brightly that we could scarcely look at it, and with sudden incredible speed, darted up and disappeared..."

(Flying Saucers, January 1962, "I saw a Flying Saucer").

Incident 124: A.D. 1926. An observer atop a 75-foot tower at Paces, Virginia, watched an object of unspecified shape and size approach from the south. He was familiar with all types of aircraft, but this object resembled none of them. There was no motor noise, although he described an "almost inaudible high-pitched whine" as the object passed overhead at an estimated altitude of 5,000 feet. Details of the object were visible, but not specified in the original report. This sighting occurred during the Autumn of 1926.

(Fate, October, 1952, "report from the readers").

Incident 125: A.D. 1927. In Wolfe County, Kentucky, during the summer of this year, a 9-year old boy saw an object in the sky which reminded him of a "perfectly shaped hugh fish, with big fins extended outward near the front and small, short ones near the rear". The flight path was east to west, but as the boy watched, the object banked, turned to the northwest, then, banking again, it moved off to the southwest. The witness lost sight of it as it moved behind trees and hills. It gave off a glow "like that from a red-hot iron in the dark", even though the observation took place in bright sunlight.

(Fate, December 1958, "report from the readers").

Incident 126: A.D. 1929. In the July of this year four persons travelling near Robsart, Saskatchewan, Canada, observed a huge fiery ball which came from the sky and seemed to settle gently upon the ground. The prairie for miles around was lit - up like daylight. This light persisted for at least half an hour, but then faded from sight.

(Fate, January 1958, "report from the readers").

Incident 127: A.D. 1936. In Panama's Canal Zone, a professor of astronomy and a student observed a "moving star" in the night sky. A reddish object, traveling from south to north, suddenly halted before moving in three small circles. The student described this latter motion as like "someone...writing small 'e's', only from right to left". The observers hurriedly obtained the keys to the observatory, but by this time the object has disappeared. The colour of the object was described as being "an orange red, like the lighted end of a cigarette". No sound was heard during this observation.

(Flying Saucers, May 1959, "I saw a Flying Saucer").

Incident 128: A.D. 1937. On June 11th., at 11.15 pm., an observer at Highlands, North Carolina, saw a brilliant white light appear some 25 degrees above the horizon, approximately southeast by south. The light remained stationary for about eight minutes, then abruptly "went out". It did not move during the period of observation. It did not seem to be close to the observer, who compared its size to one-sixth the diameter of the full Moon.

(The UFO Reporter, no:2, edited by M.K.Jessup).

Incident 129: A.D. 1939 (?). During May, probably in this year, a family on a skiing trip at Chinook Pass, Washington, observed seven "round balls" hovering over Mt.Rainier. The objects were observed for 15 minutes or longer.

(Flying Saucers, May 1958, "I saw a Flying Saucer").

Incident 130: A.D. 1941. In California's Sierra Nevada mountains, a strange object was noted resting upon the ground in a large clearing "across the San Joaquin River on Kaizer Mountain". It appeared to be at least 500 feet in diameter and was a brilliant silvery white, sometimes shimmering like quicksilver. The object was seen in the same spot for nearly two weeks. Then one local observer saw a "big white thing as big as the Moon" flying over a nearby mountain. The landed object could no longer be seen and never returned. These observations occurred in June 1941.

(Flying Saucers, August, 1960, "I saw a Flying Saucer").

Additional incidents analogous to those cited above will be detailed in later installments of this catalogue.

Notes:

1. Incident 118: it is worth mentioning that an essentially identical cylinder was seen at low altitude between Wathena, Kansas, and Rushville, Missouri, on June 8th., 1920 (v.UFO Register, vol.7, no:1, 1976, p.21), and may have been the same object described here.
2. Incident 119: given as an unspecified date in June 1920 by Harold T.Wilkins ("Flying Saucers Uncensored", 1956, p.214), who said that several persons observed these objects at dawn.

3. Incident 126: according to the Metempirical UFO Bulletin (MUFOB), vol.5, no:6, p.67, the locality of this sighting was 25 km from Rob-sart, and the name of the principal witness was Einar Rostiv-old.
4. Incident 129: it is noteworthy that Mt.Rainier was the location of Kenneth Arnold's classic sighting of nine ufos eaight years later, in 1947. Ufos, sometimes in groups, have been observed over Mt. Rainier on several more recent occasions. What interest does this mountain hold for ufos? The fact that they sometimes occur there in groups would seem to be significant.

CORRECTING THE UFO RECORD; No: 1.

THE MONZA HOAX OF 1954.

by

Guiliano Teruzzi^{*}

(Ed. : This article forms the first of an occasional series designed to rectify and/or clarify anomalous or questionable information extant in the overall ufo record. The series will be solely concerned with the correction of provably inaccurate or spurious items to provide a vehicle whereby ufo archives can be corrected to common advantage).

On November 8th., 1954, an extraordinary event allegedly occurred at Monza, in Italy. One of the earliest accounts of the event was published by H.T.Wilkins in "Flying Saucers Uncensored" (1956), p.238. His text read as follows:-

"...In Monza, at 10:30 P.M., a man going home from a cinema got off his bicycle when he saw an intense light in a sports field. He peered through some boards and saw a luminous body and two small shadowy objects. Crowds gathered and spectators saw "figures in white pants, grey jerkins, and transparent helmets". Under the intense glare from a saucer, there was silhouetted a "queer luminous body and two little entities who emitted guttural sounds. One had a black face with a sort of trunk", perhaps a breathing-apparatus. Bricks were thrown but when they struck the saucer there was no clang. They seem to have impacted on some soft stuff".

"The disc was in two sections and seemed to rest on the ground as if on a tripod. On top, from a half-circle conning-tower or cabin, so strong a light came that it was blindingly silver. Over it was a thing like an antenna. Breaking down the gates the crowd rushed the saucer entities, who retreated to the disc. One set a boxer dog onto the entities, but the intelligent beast turned on him, and bit him. The entities got aboard the disc, and with a whuff, and shrill siren hoot, it rose vertically from the field and vanished at high speed. (Reported that 150 Italians saw the saucer and entities)".

This event has been cited by several later writers, including Vallee (v."The Pattern Behind the UFO Landings", in "The Humanoids", edited by Charles Bowen, FSR, Special Issue, October-November 1966, p.19).

Investigation of this case by the Italian Centre for Space Studies reveals that it is almost certainly the same case as that centred on Tradate (Varese), Italy, which occurred on October 28th., 1954, and involved a cyclist variously surnamed Guidola or Guidella. At the time, this incident was reported in the Milan news-

* Centre for Space Studies, Via S.Michele del Carso, 21, 20050 S.Damiano, MILAN.

paper La Notte (October 29/30, 1954, p.1), in which suggestions appeared that the case was a hoax. Further indications of this were printed in the November 10/11, 1954 edition of the same newspaper (see p.2), which noted that 19 men had been indicted on charges of "promulgating a false and alarming report".

There can therefore no longer be any doubt that both the Monza and Tradate (Varese) ufo occupant cases of 1954 are hoaxes and that they should henceforth be regarded as such. Certainly they should be expunged from all lists and catalogues of valid ufo sightings, and all future editions of publications devoted to ufo landing and humanoid incidents (e.g., "Flying Saucer Occupants", by Coral and Jim Lorenzen (1967), pp.99, 210; and "Encounters with UFO Occupants", by the same authors (1976), pp.125, 409) should be emended accordingly. It is noteworthy that Aime Michel, who, in his book "Flying Saucers and the Straight-line Mystery" (1958), dealt with the amazing series of French ufo landings in the Autumn of 1954, failed to mention either the Monza or Tradate cases.

ELIMINATING THE EFFECTS OF INERTIA;

PART TWO:

Applications of the Inertial Paradox; Flying Patterns of UFOs,

by

Kiril Terziev*

This article concludes the study initiated in Part 2 of Volume 7 of this journal (pp.34-41), which discussed the mechanical paradox explaining the right-angled turns of ufos, zig-zag mode of flight, and abrupt accelerations and decelerations.

Fig.9a shows a more perfect flying machine. It has three nozzles: N_1 permits, as we know, the machine to move in circles, N_2 serves for accelerations, and N_3 provides a means for attaining decelerations.

We will now show that such a flying machine is able, not only to fly in zig-zag line and to stop in mid-air, circling round a point O , but also to stop "dead" without circling, abruptly to decelerate to a certain speed, and to abruptly accelerate from motion and rest --- without occupants experiencing inertia. In fact, we will show that, owing to the inertial paradox, the flying machine can have perfect flying characteristics, such as those reported for UFOs.

Let the rocket motors of nozzle N_1 be operational. If the force F_N from N_1 is of a magnitude for the machine to be moving round a point O along a circle with radius $2r$ (Fig.9b), the pilot does not feel inertia without taking into account the magnitude of the angular speed ω . To make our expressions purposely more simple, we will term this circle the "inertial circle". Thus, when the flying machine is moving along an inertial circle, the pilot does not feel inertia.

We previously confirmed that when the flying machine is moving in an inertial circle, the pilot does not experience inertia in both cases, i.e., when the motion is uniform and when the angular speed is changeable. We also demonstrated that no inertial effects are felt when the flying machine, after moving in a straight line, enters an inertial circle or leaves an inertial circle at a tangent. These are very important to the overall argument.

While moving in an inertial circle, let a force F_m be applied from the nozzle N_2 or N_3 . In the first case the flying machine accelerates; in the second the

flying machine decelerates.

Consider the most simple case when a constant force F_T gives a constant acceleration or deceleration:

$$F_T = \pm 2Mr \frac{dW}{dt}, \text{ where is}$$

M -- mass of the flying machine.

In this equation, the sign "+" relates to the case of acceleration, and the sign "-" to the case of deceleration; in fact, in (9) are contained two equations.

If we wish to find the angular speed W in a given instant t , we need solve the differential equation (9):-

$$dW = \pm 2 \frac{F_T}{Mr} dt,$$

$$W = \pm 2 \frac{F_T}{Mr} dt + C,$$

$$W = \pm 2 \frac{F_T}{Mr} t + C.$$

The constant of integration C we shall find from the initial conditions. If in the instant

$$\begin{aligned} t &= 0, \text{ the speed of the flying machine is} \\ W &= W_0, \text{ from the last formula we have} \\ C &= W_0 \end{aligned}$$

The physical of C is initial angular speed. The flying machine has this speed in the instant when the rocket motors are put into operation. Thus,

$$W = \pm 2 \frac{F_T}{Mr} t + W_0$$

Consider the two equations in (10) separately. the first of these two equations,

$$W = 2 \frac{F_T}{Mr} t + W_0$$

shows that in a given instant the speed $2F_T t/Mr$, when added to the initial angular speed W_0 , gives a rapidly increasing total angular speed W .

If, however, the flying machine is at rest

$$W_0 = 0$$

when the rocket motors of the nozzles N_1 and N_2 begin to operate, so that the machine starts moving along an inertial circle from rest, the angular speed can be calculated from the formula

$$W = 2 \frac{F_T}{Mr} t.$$

If, after moving along an inertial circle gathering speed W , both rocket motors of the nozzles N_1 and N_2 will, at the same instant or first N_2 and then N_1 , be taken out of operation, and the flying machine will move along a tangent on the inertial circle with speed $V = 2rW$. Until this instant, however, the flying machine makes a part of the inertial circle, or one or more complete circles, or one or more complete circles and a part of a circle. In fact, the angle θ , which the flying machine makes moving round a point O along an inertial circle until it moves off at a tangent, depends upon the magnitude of F_T and the duration of

10.

time t taken. Fig.10 shows this graphically, while mathematically it can be expressed as follows:

$$\theta = n.360^\circ + \alpha \quad (n = 0, 1, 2, 3, \dots; \quad 0 < \alpha < 360^\circ)$$

If, for example, the flying machine, after being at rest, moved along a short part of the inertial circle (small θ) and then moved off along its tangent at a high speed \underline{V} , we see from (11) that the rocket motors serving N_2 and N_1 as well necessarily give a tremendous force. If θ is great, this means that the flying machine circle round O gathering speed and then it flies away along a tangent on the inertial circle (see the section later in this article devoted to ufo events describing this effect, especially cases 2, 6, 7, 8, and 9).

The second equation in (10) is also interesting:-

$$W = -2 \frac{F_T}{Mr} + W_0$$

As the force F_T from N_2 acts in the direction opposite to the direction of motion, the flying machine decelerates (see Fig.11). In a given instant it will stop. In this instant its speed is:

$$W = 0,$$

and from (12) we have

$$t = \frac{1}{2} \frac{Mr}{F_T} W_0$$

which is the time taken by the machine during deceleration to stop. In this instant the rocket motors of both nozzles N_2 and N_1 must instantaneously be deactivated. This formula (no:13) is interesting and merits further discussion.

From (13) we see that for one and the same flying machine (the same M and r) the time t , during which the force F_T continues to apply until the machine stops, depends upon the magnitudes of F_T and the inertial speed W_0 . On the other hand, upon the magnitudes of F_T and W_0 , depends the angle θ , which the machine makes moving round the point O along the inertial circle until it stops (Fig. 11). If, for example, W_0 is high, F_T must also be great and the time t must be short, i.e., the angle θ is small.

Thus, before the actual stop, the decelerating machine makes part of a circle round O , one or more complete circles, or one or more complete circles and part of another: $\theta = n.360^\circ + \alpha$. If, after moving in a straight line at high speed \underline{V} , the flying enters an inertial circle making a small θ (say between zero and 90 degrees) and stops, the force from nozzles N_2 and N_1 must be tremendous. If θ is great, the flying machine enters the inertial circle circling round O while decelerating and then stops (see later: cases 1, 4, 5, and 10).

Let us consider some possibilities consequential upon the inertial paradox.

If the flying machine is moving uniformly in a straight line, it is necessary to increase its speed in a short interval of time, in fact almost instantaneously, yet preserve the straight direction in flight. When high speed changes occur these occur in a "conventional" manner in present aircraft and pilots are unable to withstand the great acceleration; but if a flying machine enters an inertial circle and makes one or more complete turns round O , accelerating only when moving along the inertial circle, the pilot will not feel any acceleration. After leaving the inertial circle the machine's speed can be much higher.

Similarly, while moving in a straight line, the flying machine can be decelerated remaining in the same straight line (Fig.12). Furthermore, it could be shown

that moving on a zig-zag flight path the flying machine can have different speeds on every branch of that line, and that even on one and the same branch it can have two or more different speeds (Fig.13).

Until now we have only discussed motion that has taken place on a horizontal plane. We will now show that the inertial paradox can also be applied when a machine flies in an obliquely inclined plane or when its motion is vertical.

To begin with let us envisage a flying machine moving uniformly in a straight horizontal line. If when moving it makes a tilt of some kind, it immediately has possibilities of entering an inertial circle lying in an oblique or even vertical plane. Thus, while moving in a horizontal plane, the machine can, at the point of tilt, shoot up (or obliquely) in an oblique or vertical straight line. Fig 21 shows how a machine with its axis passing through a pilot's cockpit can, if nozzle N_1 is tilted, shoot up or off suddenly in another direction or plane from the horizontal. Such a machine thus has the capacity to fly in every direction in space with equal facility, and can quite easily perform a three-dimensional zig-zag movement. If the flying machine is at rest in the air (hovering) and tilts, it again has the possibility of entering an inertial circle which does not lie in a horizontal plane and to shoot away in some other direction, either oblique or vertical in relation to the original horizontal plane. See later ufo cases 1, 9, 10, 12, 14, 15, and 16 that describe this effect.

At this juncture we will review the principle of propulsion that provides the possible lifting force for ufos.

I am of the opinion that ufo propulsion systems include the exhalation of air from our atmosphere through openings round the edges of ufos, after having first been sucked in through openings at the centre of the underside of the object. Thus, at the outer rim, strong air jets are produced that provide the lift. Such jets would be very powerful. They would thrust the ufo upwards in opposite directions from the airjets, the actual thrust being effected by the reaction force \underline{U} to the jets at the rim of the object.

The sucked-in and expelled air moves at such high speeds that the atoms of the aerial particles (molecules) become excited or (and) ionise because of collisions. It is very well known that when an atom collides with another atom, its energy increases; it becomes excited or ionised. An excited or ionised atom is unstable and must get rid of its extra energy. It does so by emitting light or ultraviolet radiation. Thus, the space where the speeds of the agitated aerial particles attain their highest rates (at the openings aforementioned) will give off coloured glows. Such space or spaces will give the appearance of a glowing mass (Fig.14).

When a flying machine is horizontally inclined in the air, hovering, or moving, the reaction force \underline{U} acting vertically is equal to its weight \underline{W} (Fig.15a). When the machine is hovering in a tilted position, a nozzle must be operating. In tilted positions, the reaction force \underline{U} resolves into two components, (a) lift force U_1 and (b) horizontal force U_2 . The force from the nozzle \underline{E} also resolves into two components, (x) vertical E_1 and (y) horizontal E_2 . The lift force U_1 and the vertical component E_1 of the nozzle are in equilibrium with the weight of the machine (i.e., with \underline{W}), and the horizontal component U_2 of the reaction force is in equilibrium with the horizontal component E_2 of the reactive force from the nozzle (Fig.15b). If force \underline{E} is greater, the equilibrium will be destroyed and the flying machine will move forward in an oblique line.

Let us now consider a flying machine moving in a horizontally inclined inertial circle. If the lift force is allowed to become unequal to its weight, the mach-

ine will be ascending or descending in a spiral trajectory (see Figs.16 and 18). We will term this type of motion the "inertial spiral". Of course, the change of the vertical component of the speed must be of such a rate can withstand the vertical acceleration or deceleration. The horizontal component of the speed can be uniform, or accelerated or decelerated. This means that one or two of the machine's nozzles must operate appropriately.

While moving in an inertial spiral, either ascending or descending, the flying machine can be in the horizontal position (see Figs.16 and 17) or in a tilted one (see Figs.18 and 19). When moving along an inertial spiral in a tilted position, the straight line passing through nozzle N_1 , the machine's centre, and the pilot's cabin is always normal to the axis OO of the spiral (see Fig.18b). The magnitude of the inclination of the straight line passing through nozzles N_2 and N_3 can be changing while movement is sustained, whereby the shape of the inertial spiral can alter to become (at the extreme) a circle (see Fig.20). Thus, the flying machine has the capacity to change the plane in which it moves, that is, to move again in a three-dimensional zig-zag line.

The flying machine can also enter an inertial spiral from moving in an inertial circle, or from moving in a straight line, or from being at rest in the air (i.e. from a hovering position), or from taking off from a solid surface.

Movement in an inertial spiral can finish so that the machine can then move off in a straight line in a selected direction, so that it can stop dead in the air, so that it can continue moving in an inertial circle, or so that it can land. Obviously, before successfully effecting a landing the machine must cease circling.

Spiralled descents in ufology are known as "falling leaf" motions, or as "dead leaf falls" (1). This type of ufo behaviour is often called "pendulum motion", or is described as a "motion similar to that of a disc falling through water" (2); see ufo cases 1, 11, 13, and 13.

It is worth noting that a similar, but by no means identical type of motion, could be a consequence of precession. In ufo case 1, a rotary ring is described as encircling the ufo. This is a rotary disc with vanes. In most types of ufos this mechanism seems to be inside them. It represents a part of the propulsion system. Because of the rotation of this ring, ufos can, in certain situations, perform precession motions similar to that of a child's spinning-top. However, if a ufo is performing precession during ascending or descending, its centre does not describe a spiral line but a straight one. On the other hand, as the rotary disc or ring is inside, it is invisible when precession is performed, whereby the external surface of the ufo does not rotate. This produces the superficial anomaly of a non-rotating body performing precessional movements. UFOs have also been reported performing precessional movements when proceeding in an otherwise straight flight-line.

If, when moving in an inertial circle, the flying machine's speed is not high, the object will, to an observer, seem to be moving in small circles (see cases 1 and 13). Under some circumstances (particularly under nocturnal conditions), the effect would be similar to that of somebody waving a lighted torch in circles (see Fig.22). Such an effect is described in case 3. In fact, if the flying machine is moving along an inertial circle at a high speed, it would seem to an observer that the space occupied by the machine is a hovering body that appears to rotate. I believe that this is the reason why so many ufo witnesses say in their subsequent accounts the ufo "seemed to rotate" (see cases 4, 9, 13, and 20). Some witnesses are more specific and say "it rotated" (see cases 2, 5, 8, and 18).

In such instances, if a flying machine stops dead, it will seem as if it shrank in size. This effect will also occur if it shoots away, at the moment of fast departure, and also when it stops to circle. This effect is attributable to luminosity factors and to the sudden diminution or cessation of visible forcefield effects when the rocket motors are deactivated --- as at the instant when the machine ceases to circle. At that instant the nozzles cease to glow (see case 17 hereafter).

If the flying machine, after being at rest (hovering) suddenly enters an inertial circle, moving further along the circle at high speed, it will seem as though it suddenly grows larger, as the space occupied by the machine in motion appears to be filled by a rotating body. This effect will occur if the flying machine arrives at high speed and enters an inertial circle. Again, the glow-effects of the nozzles contribute to this effect.

The possibility exists for a flying machine to perform at apparently reduced sizes in inertial circles. We describe this below.

Let us locate the pilot's cockpit in the centre O of the flying machine, and let the centre of gravity G be located not in the machine's geometrical centre O but between the cockpit and the nozzle N_1 , on a distance r from the cockpit. The centre of rotation O is, of course, on a distance $2r$ from the centre of gravity G . While moving round O along the inertial circle, the machine is simultaneously rotating round the centre of gravity G (see Fig.23).

Under these conditions, the inertial circle will be less in size and produce lesser effects unless the machine rotates round its axis when the effects will be more pronounced. It is, however, uncertain whether the centre of gravity G could really be located away from the geometrical centre of the machine as the lift force must be equally distributed along the edges. Further research may resolve this question.

With regard to ufos proper, it is worth mentioning that some rotating parts, as described in sighting accounts, could give an impression that the complete ufo rotates; but, as we have seen, rotary rings encircling ufos (as described in case 1) could give such an impression, even though in other instances such rings, if they exist, appear to be enclosed within the main body of the ufo. Only in those cases where ufos are equipped with external (or visibly moving) rotary rings can we distinguish their motion, even when ufos move along otherwise straight flight paths. We should not forget that the inertial circle in all such instances is fixed in space.

Now, if the flying machine is moving in an inertial circle one or two rocket motors must be operating; one when the circular motion is uniform and two when the speed of motion is changeable. During circling manoeuvres, the nozzles alternately appear and disappear from the view of an observer located at the side of or at certain elevations from the ufo. This creates an impression of pulsation or scintillation (see cases 2, 3, 8, 17, 18, 19, and 20). If one nozzle happens to glow in one colour and the other in a different colour, the colour effect will constantly change and give, under certain conditions, a kaleidoscope effect. (If, according to the theory of inertial paradox, the machine stops dead after having been moving, the nozzles will continue to glow for a certain time as they remain red or white hot. The colour of any luminosity emitted by extremely hot nozzles will gradually change, both in hue and in intensity, as the nozzles cool off. Changing colours have frequently been described by ufo eyewitnesses.

In conclusion, therefore, we can express the relation between the force F_n from nozzle N_2 or N_3 and that from N_1 quite easily. The formula for centripetal force

14.

acting upon the flying machine, when it is moving along an inertial circle, is:

$$F_N = 2MrW^2.$$

If, in this formula, we substitute the expression W from (10), we shall have:

$$F_N = 8 \frac{F_T^2}{Mr} t^2 \pm 8F_T W_0 t + 2MrW_0^2.$$

For cases of accelerated motion along the inertial circle without initial speed we have:

$$W_0 = 0,$$

that is, when the flying machine starts to move from rest position, we have:

$$F_N = 8 \frac{F_T^2}{Mr} t^2.$$

We here see that F_N is much greater than F_T .

* * * * *

Flying Patterns of Ufos (based on descriptions in selected reports).

If great or apparently violent changes of motion in a flying machine are to be performed without its pilot or occupants succumbing to the fierce accelerations, decelerations and centrifugal effects, those movements must be performed in a "conventional" manner. This means that, without making inertial circles and inertial spirals, it performs different manoeuvres but not manoeuvres of as wide a range as those displayed by ufos. Although ufos appear to perform "conventional" movements too, they also display the ability to perform many gyrations or movements currently beyond our most advanced flying devices, and it will be instructive to review some of these in relation to the theoretical considerations constituting the earlier part of this paper. In other words, we now focus attention on those ufo manoeuvres described by eyewitnesses as impossible or unbelievable.

During earlier years I did not devote much attention to this category of flying behaviour exhibited by ufos as I was then convinced that ufos acting in that manner were remotely controlled or that any occupants on board them were cybernetical, or that ufos themselves represented cybernetical units. Reappraisal of much of the available ufo literature concerned with eyewitness testimony reveals a significant number of relatively good reports that refer to such ufo flying patterns, and that these may very well be exhibitions by ufos of the theoretical movements previously discussed.

It should be emphasized, however, that all our discussions so far have related to round (discoidal) forms of flying machines, and that the scope of this paper does not extend to a consideration of other more exotic types of reported ufos (e.g., those described as pyramidal, square, cylindrical, triangular, dumb-bell shaped, etc.). Clearly other vital factors would be involved in explaining the flight and manoeuverability of such objects. The following reports, therefore, describe essentially discoidal (or "saucer"-shaped) objects.

Our list totals 20 relatively good reports. This phrase is used advisedly, as "good" denotes that each case contains elements which seem to refer directly to the theory of inertial paradox, and "relatively" because the cases contain various important omissions. Not improbably better examples, replete with fuller details, exist in the archives of the various leading ufo organizations.

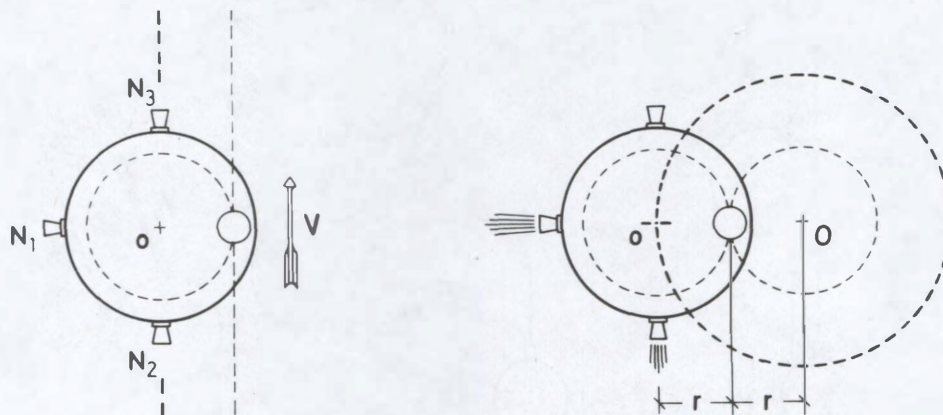


FIG. 9

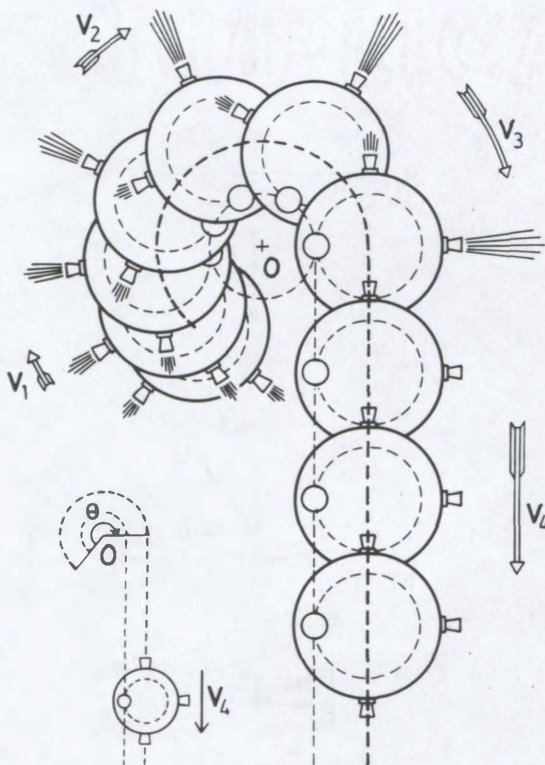


FIG. 10

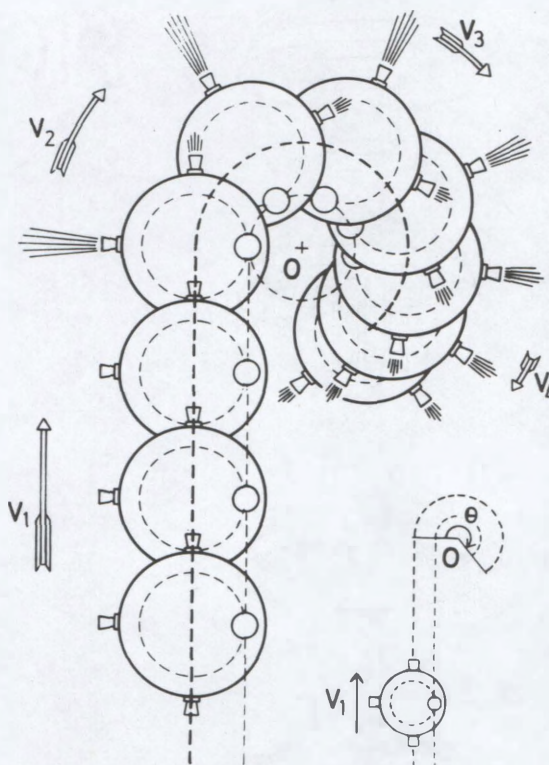


FIG. 11

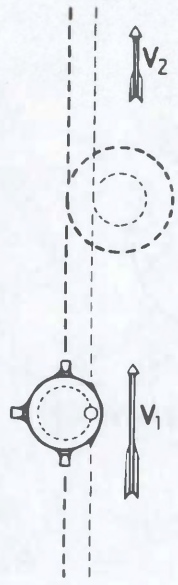


FIG. 12

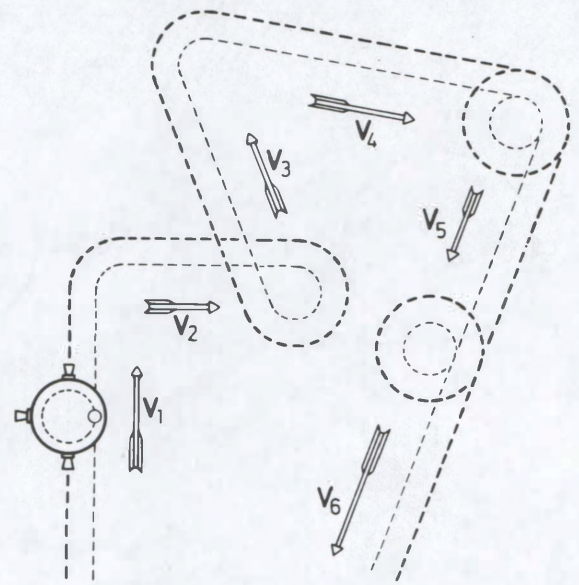


FIG. 13

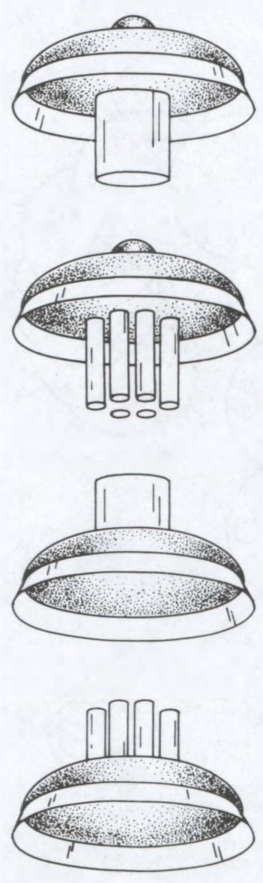


FIG. 14

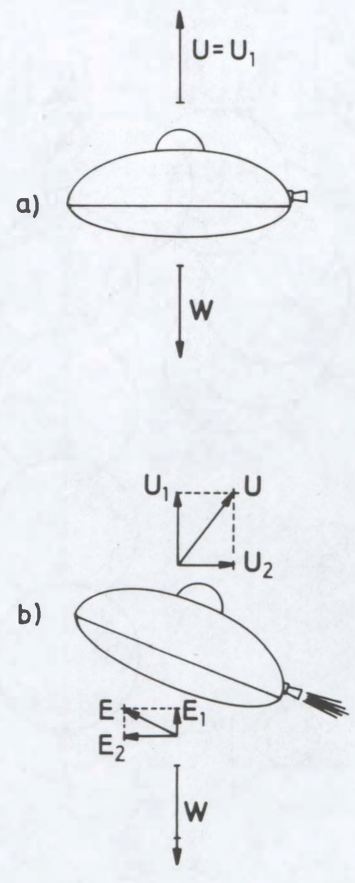


FIG. 15

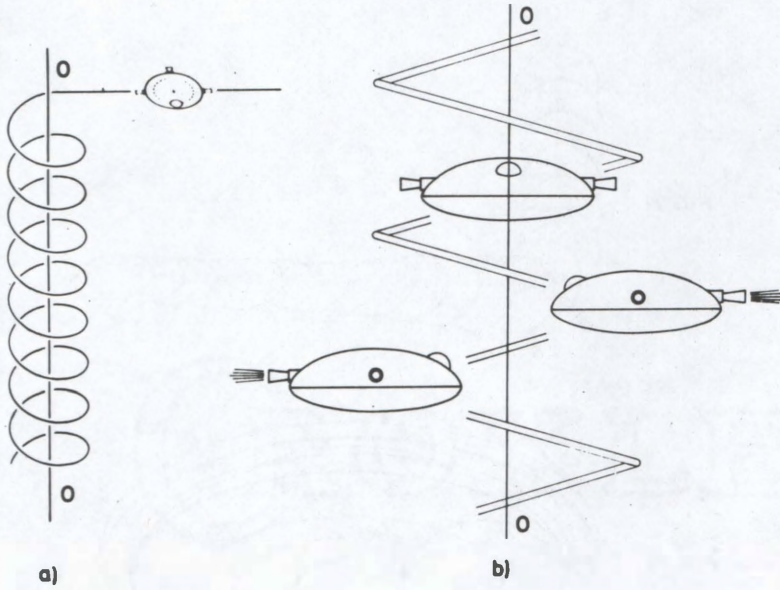


FIG. 16

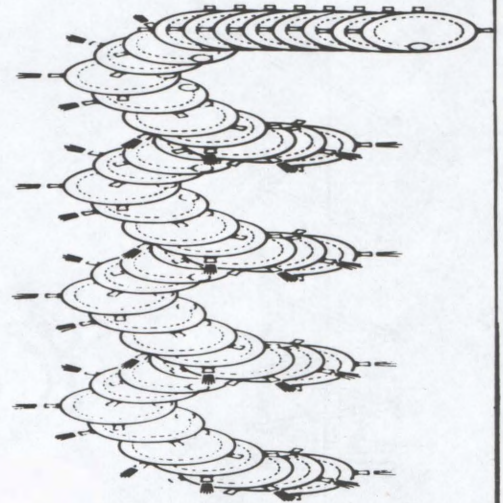


FIG. 17

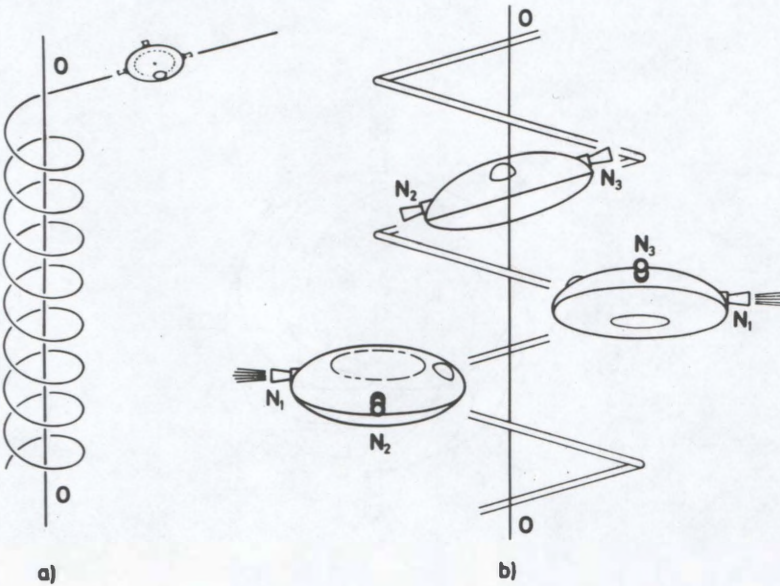


FIG. 18

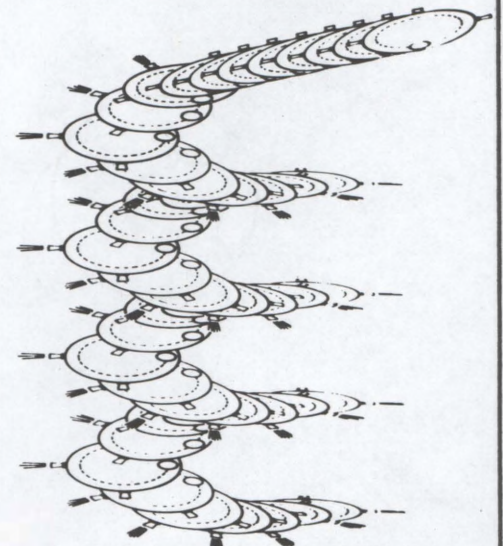


FIG. 19

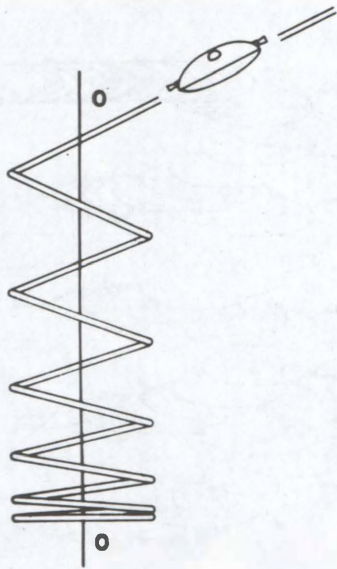


FIG. 20

FIG. 21

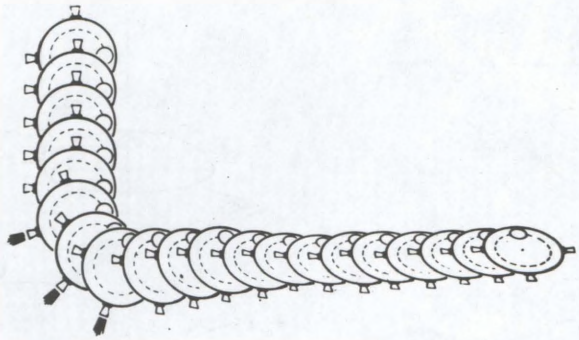


FIG. 22

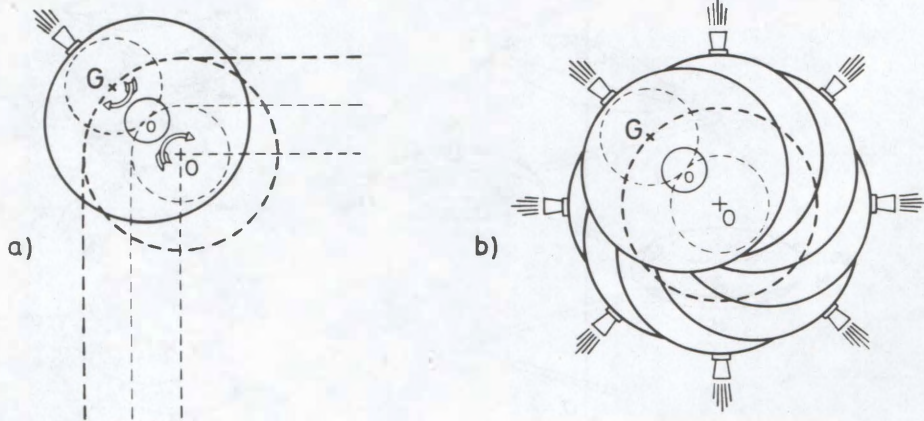
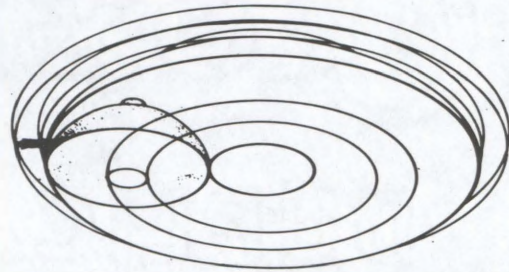


FIG. 23

Case 1: Ponta Poran, BRAZIL: Feb. 24th, 1958.

At 3.00 a.m., the car of the witnesses began coughing and missing and then abruptly the engine stopped.

Almost immediately the witnesses saw a huge luminous object hovering overhead. It glowed with a strange "fluid" light, in colour somewhere between silver and blue. At first it was only a light, but as it approached what appeared to be a solid body behind the glow could be detected. The object appeared to be two hemispheres on top of each other and between them a luminous ring spinning at high speed; the ring was the source of the brilliant glow surrounding the whole object.

The object came silently toward the car until it was about 240 feet from the observers and ninety feet above the ground. Then it descended in a curious "falling leaf" manner. It steadied itself about 9 or 12 feet above the ground, and the witnesses were able to discern its contours very clearly. The bottom was smaller than the top hemisphere, and the lower hemisphere was slightly flattened. Its luminosity spread in a curtain of light suspended between the ufo itself and the ground below it.

As two of the witnesses approached the illuminated area (which was about twice the size of the ufo, which appeared to be approximately 60 to 75 feet in diameter), the object suddenly took off vertically. It then stopped at about 600 feet altitude and made a tight circle in the sky, its luminous focus on the ground rotating about itself. Then the ufo stopped again and tilted forty-five degrees.

In this position the rotating ring was more easily viewed. One of the witnesses got the impression that it was notched like a cogwheel, the indentations positioned obliquely in relation to the edge of the ring.

Minutes later the object moved again, this time in a series of high-speed manoeuvres across the sky, sometimes in tight circles around the car and sometimes in straight lines in different directions. In the straight-line movements the ufo moved "more rapidly than lightning", becoming at times a small dot of light in the sky in virtually a split second. Then for a second time the object executed the "dead leaf" mode of descent, again stopping 9 or 12 feet above the ground. When the witnesses tried to approach it, the ufo took off vertically at high speed and was gone. The time was 4.35 a.m.

At 6.30 a.m., the object reappeared, at low altitude. It was silvery in colour and emitted no glow. It was motionless, then tilted to one side, suddenly shot upwards at tremendous speed and vanished from view in a split second. It was not seen again.

Then the witnesses attempted to start their car. To their surprise the engine functioned normally and smoothly again (3).

Case 2: Fargo, North Dakota, USA: Oct. 1st., 1948.

A pilot was preparing for a night-time landing of his aeroplane at an airfield here, when he distinctly saw a light trailing his aircraft. The light was an intensely white ball, which had a sort of halo around its edges. The diameter of the light did not appear to exceed 30 centimeters; when the pilot approached the light, it suddenly became fixed and remained so just before making a tight turn and moving away.

For thirty minutes the pilot tried to catch the strange light. At the

end of this period the ball of light rose steadily, leading the pursuing aircraft up to the limit of its climbing capacity. Then, after a vertical leap, the light vanished from sight "at a stupendous speed".

Before its final "disappearing act", the light blinked on and off continuously. During the final period of its climb and disappearance, the intensity of its glow increased before becoming steady. The pilot later reported that the light exhibited spinning and sudden twisting (4, 5, 6).

Case 3: Burnaston, Derbyshire, ENGLAND: Nov. 21st., 1971.

At 5.45 p.m. a bright white light was seen moving at an estimated altitude of 2,000 feet. Sometimes the light appeared to be stationary, but at others it performed slow gyrations --- like somebody waving a lighted torch in circles. The light also flashed in an irregular manner, whereby its brilliance was alternately a dull white and a very bright white. It did not, however, flash on and off.

The witness later got out of the car to better view this event. The light was now hovering and gyrating, but did not seem to be travelling in any particular direction. Then the witness saw a similar light stationary in another sector of the sky. It was a definite red in colour and it pulsed from dull to bright without losing its red hue throughout. Later, both lights were observed to gyrate (7).

Case 4: Sizewell, near Leiston, Suffolk, ENGLAND: Feb. 24th., 1975.

About 6.55 p.m. the witness to this event noticed what appeared to be a shooting star approaching. It was travelling at high velocity and in a few seconds it was near him. By this time it had assumed the appearance of a large pumpkin. It was coloured green and yellow, and gave off a luminous glow like that of a television screen.

The object stopped some 20 yards from the witness and hovered about 6 feet above the ground. It remained stationary in this position for approximately half a minute. It then sped away as rapidly as it had arrived, in the direction from which it had come, and soon disappeared. The object made no noise, and appeared to be about 12 feet in diameter. Although its outlines were quite clear, the witness received the impression that the object was rotating (8).

Case 5: Draguignan, France: March 1968.

At 11.30 p.m. or thereabouts, a lenticular-shaped ufo, like a soup-plate up-side-down was seen. Its rim was cambered on the underside and its contours were sharply defined.

Arriving approximately right above Draguignan clock-tower, the object became stationary and then commenced to rotate on its axis for about 15 seconds, turning an orange colour as it did so. It then dropped vertically a "long way", both suddenly and rapidly and with a rocking to-and-fro motion. The witness estimated that the drop must have been about 1000 metres, whereby the object's size increased by at least one third. The angular height had diminished by 15° during the descent, and the object's colour had again changed, this time to a very phosphorescent pale green.

The descent ended suddenly, and the object began to rotate again. It then remained at its new altitude for some 15 seconds or so, then ascended rapidly again, turning a bright red as it did so. After another pause of approximately 15 seconds at the top of this climb, the object then departed at great speed westwards. The speed of the departure was twice that of the object's arrival (9).

Case 6: On the Lower Danube, RUMANIA: Sept. 18th., 1967.

During the afternoon (exact hour uncertain) of this day, a vividly bright discoidal object was seen stationary in the sky, at an estimated altitude of 200-300 metres and some 500-600 metres distant from the witness.

The width of the object appeared to be 6 or 8 metres, and it had a "tail" about the same length. The colour of the outer edges of the object was a very red-purplish tone, but the colour of the "tail" was that of a butane flame. From the extremity of this "tail" emerged short bursts of flame. Silent throughout the sighting, which lasted 4 minutes, the object was seen to rotate, move sideways, stop again, and then shoot away vertically at shattering speed into the clouds (10).

Case 7: Unlocalised area at sea: August 1st., 1962.

Between 11.00 and 11.30 p.m. on this date a large elongated metallic object, with a sort of turret in the middle, was observed by a witness at some 300 metres distant. The object seemed to be moving slowly along on or just above the surface of the sea. Then it stopped and a number of entities that resembled fragmen came out of the water and climbed up into the object.

The machine, for such it apparently was, then rose up and hung in the air. Red and green lights came on, and a beam of white light shot out and reached the witness's boat. This beam was analogous to a searchlight and gave off no heat or anything unpleasant. Then the beam was extinguished and the object lit up with an orange glow, at which the red and green lights went out. The object then began to rotate very slowly from left to right and ascended to approximately 20 metres above the sea-surface.

The object now appeared to be oval shaped or an almost round dish, and of the dimensions of a medium sized submarine. It hung stationary in the air for several minutes, before beginning to rotate faster, whereupon its glow increased in intensity. It then hurtled away horizontally over the sea, amid a vast silence. Its light now took on the hue of red flame, it then came right back over the witnesses (by now others had joined the first witness) in a beautiful curve while continuing to climb and increase speed. Eventually it vanished as a tiny red dot among the stars, becoming within just a few moments totally invisible to sight (11).

Case 8: Itaperuna, Rio de Janeiro state, BRAZIL: on or about Oct. 20th., 1971.

An object described as a "flying saucer" hung above a bus filled with passengers, from which several confirmatory descriptions were subsequently secured.

While the object hovered it rotated on its axis, and from its rim streamed beams of light that kept changing in colour and in intensity. The bus then started to drive away, but the ufo moved with it in unison. Further on the object halted, shot out many flashes of light of different colours, spun round on its axis at dizzying speed, and suddenly raced up into the sky. It was out of sight in less than a minute (12).

Case 9: Draguignan, FRANCE: March 29th., 1971.

At approximately 9.00 p.m., two witnesses saw from their car a bright object seemingly stationary in the sky. It was more or less round in shape, with a diameter of between 10 and 15 metres, and emitted dark red light. Eyewitness opinions diverge slightly as to the precise shape of the object, one averring that he saw a lens-shaped object like two plates joined rim-to-rim, while the other asserted it was hemispherical (a

bit like a plate viewed from underneath from three-quarter's view, and with a lighter luminous edge visible along two-thirds of its circumference). The second witness also stated that a triangular-shaped luminous gleam was clearly visible underneath the ufo.

The object began to move as follows in complicated flight patterns. It first of all performed a rapid movement for 15 metres or so, followed by less rapid and less sharply executed oblique descending motions. These were then followed by a rapid vertical rise, although this was less prodigious than the first. An oblique descent slower and shorter than the previous rise then followed.

The witnesses watched three "Z"-shaped manoeuvres of this kind, after which the object moved away on a regular oblique descending trajectory as far as a vinyard some 150 metres distant in front of the witnesses. Here it again halted, at an altitude of some 10 metres above the surface of the ground. During this descent, which took but a few seconds, the object performed pendulum movements.

Then the witnesses reached the terrace of a house in a field, and continued to observe the ufo which was now only about 50 metres from them. From this vantage point the object had the appearance of a lenticular-shaped machine, 12 or 13 metres in diameter and some 2 to 2.5 metres in height. Sharply outlined, its colour was "a dark red, like the cellulose mastic used as a primer before the bodywork of cars are painted". The underside of the object was darker than the upper, and an encircling rim diffusing a clearer light was plainly discernible. The witnesses do not agree in their description of this feature. The first compared the light to that of a catadioptr, but confirmed that it was scintillating or rippling. The second witness saw the light as yellowish-white, but agreed that it scintillated.

On the upper portion of the object three sources of light were clearly visible, which led the witnesses to believe that the object possessed a rotary movement.

The eyewitness accounts of the object's shape also differ, but less acutely than when they first saw the object.

The ufo remained over the vinyard for about 2 minutes, performed a roll type of movement and instantly shot away, like a flash, at an angle of 60° to the horizon (13, 14).

Case 10: San Juan de los Morros, VENEZUELA: July 7th., 1971.

At 6.00 p.m. a shining object rapidly ascended and stopped at a height estimated at around 60 metres above ground level some 500 metres distant from the witness. The object was circular, bell-shaped underneath, and was furnished with a turret on the upper part. Its diameter may have been as much as 30 metres.

What surprised the eyewitness most of all was the manner in which the object changed colours, which ranged from orange to blue to white. When it stopped in mid-air, the ufo rotated through nearly 180°. Suddenly, a small parabolic staircase came down from the base of the object, and this enabled two "men" to enter the ufo with ease. When the staircase was retracted the craft dipped slightly towards its left side and then, following this inclined attitude, departed skywards at impressive speed. The identity of the "men" who boarded the object is unknown (15).

Case 11: Near Moscow, USSR: Unnoted month in 1958.

At an altitude of about 3,000 metres, a strange flying object was seen moving at high speed. It was discoidal and of relatively large dimensions.

A little later the object descended towards the ground with a spiral motion and then started upwards again before turning over and suddenly speeding away to disappear behind a nearby forest (16).

In this case we have a good example of the "dead-leaf" or descending spiral motion discussed in the foregoing theoretical section of this article.

Case 12: Euramon, near Tully, Queensland, AUSTRALIA: Jan.19th., 1966.

At about 9.00 a.m., a saucer-shaped object was seen rising in front of a witness from a bed of reeds approximately 25 yards distant from him. The object ascended fairly slowly to an estimated height of 60 feet.

The ufo then tilted to one side and, with a burst of speed, rapidly vanished from sight. As it rose vertically, it spun at a terrific rate and made a shallow dive before its final burst of speed. The total duration of the sighting was put at between 4 and 5 seconds.

In diameter, the object was approximately 25 feet, and about 9 feet thick at the centre. It was a silvery-grey colour and exhibited a sharp outline (17, 18).

NB: The so-called "saucer-crest" found at the place whence the above object had risen will not have been caused by the rotation of the ufo itself. Some types of ufos (especially those in which air enters through openings on the underside: see Fig.14) provoke whirlwind effects, the agency that will have caused the swirled "nest"-like markings found at this spot being the disturbed air. It should be remarked that whirlwind effects have been reported with non rotating ufos as well as with rotating ufos. Whirlwind effects relative to ufo activity have been discussed elsewhere (19).

Case 13: St.Mary's Tey, Upminster, Essex, ENGLAND: Oct.5th., 1971.

Between 10.30 and 11.00 a.m., an object having an "oval-round" shape was seen whirling round in the sky while hovering over this place. Coloured a silvery-grey, it glittered all over, not just on the side receiving the Sun's rays.

The object arrived through a very narrow cloud in a straight line, spinning round and round as it did so, from which is inferred its axis. After stopping for a while, it then twirled right, spinning round and round again, and then stopped once more. According to an eyewitness sketch accompanying the report, the ufo then moved to the right, again stopped, and then disappeared (20).

Case 14: Blenheim, South Island, NEW ZEALAND: Oct.5th., 1971. ***

During unspecified morning hours the witness to the following event went outside to milk cows on her farm. Crossing a paddock she suddenly noticed an unusually bright light among the clouds. When she had walked about half-way across the paddock she saw two large green lights rapidly descending. The witness then found herself bathed in a green light that similarly illuminated the entire paddock. She said it was a "horrid" sort of colour. She stood among some nearby trees to see

a glowing saucer-shaped object with two indented green lights descending to about roof-top height. The air became very warm. Two rows of jets round the middle of the object shot out orange coloured flames. The rows of jets appeared to revolve in opposite directions. Overall, the object appeared to be 20 to 30 feet in diameter.

Shortly the jets stopped and a light was switched on in what appeared to be a perspex or glass dome or roof, which then glowed. The lower part of the ufo seemed to be a kind of greyish metallic colour. As the object hovered, there was a faint humming sound in the air.

Two "men" were seen inside the dome. Each wore close-fitting suite of shiny material. Opaque helmets rose from their shoulders so that the witness was unable to see their faces. One of the "men" stood up and put two hands in front of him as if leaning over to look downwards. He then sat down again and after a minute or two the jets started up again. Tilting slightly at first, the object then careered away vertically at horrifying speed and disappeared into the clouds. When it did this, it emitted a soft but high-pitched sound. There was a smell in the air that the witness likened to that of pepper (21).

Case 15: Oldham, Lancashire, ENGLAND: October (exact date uncertain), 1972. A discoidal object, some 100 feet in diameter and making a humming sound like that of a generator, was seen in the sky some 300 feet above the witness who reported the following event.

The object abruptly turned sharply on its side (or edge), and shot up into the sky (22).

Case 16: Ridgeway Comprehensive School, Wroughton, Wiltshire, ENGLAND: Nov. 24th., 1970.

At approximately 2.00 p.m., a black metallic looking disc-shaped object, seemingly 20 feet in diameter, was observed hovering over this school. After a few moments the object tilted slightly and hurtled off at incredible speed. As it departed it left short black trails (presumably of smoke), but whilst it was hovering gaps similar to smoke rings were visible when the object accelerated (23).

Case 17: Ilha Bela, BRAZIL: Sept. 7th., 1971.

The attention of the witness in this case was caught by a large cone-shaped object motionless in the sky. It was a greyish metallic colour and was surrounded by a bright halo of a greyish-orange hue.

After being observed for a few seconds, the object moved off rapidly, and although the halo surrounding it did not change colour it brightened markedly as the object departed and began to pulsate from bright to dim. The object diminished in apparent size as it increased its distance from the observer although the halo did not do so proportionately. When it was first seen, almost overhead, the apparent size of the object was larger than that of the full Moon (24).

Case 18: Scamander, Tasmania, AUSTRALIA: August 30th., 1974.

At about 10.20 p.m., two persons noticed a bright light moving erratically in the sky at a height estimated at 1,600 feet some half mile distant from them. The light darted in strange trajectories and at odd angles around the sky, hovered, altered speed and flashed coloured lights. The duration of the sighting was 1 hour 55 minutes.

After initially noticing this object the observers saw that it mostly

consisted of lights, pale yellow, and arranged like a dome. Beneath the dome, green, pink, and occasionally white and pale blue lights moved from left to right around what appeared to be a disc resembling an upturned plate. This lower part did not appear to be solid but was rather an area of light. Overall, its apparent size was one sixteenth that of the Moon. At a half mile distance this would represent a width of at least 20 feet. The light from the object did not make shafts in the sky but, instead, twinkled brightly.

No circular or curved flight was noticed, although on occasions the ufo moved at slow and steady speeds, then at speeds like that of a fast car and at other times as fast as the speeds attained by aircraft at take-off. When stationary, the object would remain in one position for some 10 to 20 seconds, before moving on again to some new position. When it eventually departed it moved away to the south, gaining elevation at a steady but ever increasing speed (25).

Case 19: Unnoted locality, Andalucia, SPAIN: June 11th., 1961.

The eyewitness to this event saw, at 11.00 p.m., behind his house, a luminous disc moving at enormous speed through the sky. It abruptly turned 90° and descended to hover in the air some 20 to 30 metres above the surface of the ground, and practically on eye-level with the witness, as the witness happened to be standing on a hummock. The object was about 250 metres distant from him. It emitted no audible sound, and (although the witness was not wholly certain of this) gave the impression of spinning on its axis. While hovering the object continuously exhibited colours changes and alterations in the intensity of colours. The colours ranged through white, orange, red, purple, and back to white, and always flashed and scintillated.

The apparent size of the ufo was roughly half that of the full Moon, the witness estimating its actual dimensions as some 4 to 6 metres in diameter and some 3 to 4 metres in thickness at the centre. Its appearance was that of two dishes set rim to rim. It seemed to be definitely solid, with luminous, slightly diffuse, contours. These contours seemed to be brighter than the remainder of the object.

Later, the object, after turning white again, shot straight upwards at vertiginous speed and rapidly vanished from sight. The entire sighting lasted about 7 or 10 minutes (26).

Case 20: ON the N.555 road N.W. of Draguinan, FRANCE: July 17th., 1966.

At 3.45 a.m., at a distance of 200 to 300 metres from the witnesses, an egg-shaped object, estimated to be 1.5 times the length of their car (which was a Renault "Dauphine") was seen at a low altitude in the sky.

At the end of the object which, so far as movement was concerned, the witnesses took to be its rear, they saw a kind of lighted "stem". On the side of the object visible to them there were four portholes, faintly lit. After remaining stationary for a moment, the object appeared to turn on its own axis, one port hole disappearing on one side and another appearing on the other. Then it moved closer and lower, stopping about 50 metres away from them and 20 to 30 metres above the ground.

At this point, various lights on the underside of the object were switched on, from which beams were directed downwards that vividly illuminated the ground. Towards the rear of the object, one or two of these beams shone intermittently. Then the beams of light were switched off,

whereupon the witnesses saw the object move away again into the distance (27).

* * * * *

R e f e r e n c e s

1. Vallee, Jacques. 1966. "Anatomy of a Phenomenon" (Neville Spearman, London), p.41.
 2. Vallee, Jacques, and Janine Vallee. 1967. "Challenge to Science" (Neville Spearman, London), p.186.
 3. Lorenzen, Coral E. 1962. "Flying Saucers; The Startling Evidence of the Invasion from Outer Space" (Signet Books, New York), pp.151-153.
 4. Vallee and Vallee. 1967. Op.cit., pp.118-119.
 5. Lorenzen, C.E. 1962. Op.cit., p.25.
 6. Heard, Gerald, 1950. "The Riddle of the Flying Saucers" (Bantam Books, New York), p.20.
 7. Flying Saucer Review (FSR) Case Histories, June 1972, p.iii.
 8. FSR, no:5, 1975, p.11.
 9. FSR Case Histories, April, 1973, pp.4-5.
 10. FSR, no:1, 1969, p.iii.
 11. FSR Case Histories, April, 1973, p.14.
 12. Loc.cit., August, 1972, p.12.
 13. Loc.cit., April, 1973, pp.1-3.
 14. FSR, no:3, 1973, p.3.
 15. FSR Case Histories, June, 1972, p.9.
 16. Vallee, J. 1966. Op.cit., p.41.
 17. FSR, no:3, 1969, p.2.
 18. Wilson, Clifford. 1974. "UFOs and Their Mission Impossible" (Signet Books, New York), p.8.
 19. Terziev, Kiril. 1975. "Whirlwinds Associated with Ancient "Celestial Ships" and Modern UFOs", Awareness, vol.4, no:1, pp.14-19.
 20. FSR Case Histories, December, 1971, p.iii.
 21. Vallee, J, and J.Vallee. 1967. Op.cit., pp.24-5.
 22. FSR, no:6, 1972, p.28.
 23. FSR Case Histories, February, 1971, p.16.
 24. Ibid., June, 1972, p.9.
 25. FSR, no:5, 1975, pp.21-2.
 26. FSR Case Histories, February, 1974, p.11.
 27. Loc.cit., April, 1973, p.4.
-

T H E U F O R E G I S T E R

Volume Nine,
Part Two.

April 1979.

C o n t e n t s

Editorial.....	pages 27 - 28.
<u>"Type I Phenomenon at Knokke-Heist, Belgium"</u> , by Rudy de Groot.....	pages 29 - 31.
<u>"1972: General Analysis"</u> (Data Research).....	pages 32 - 62.
<u>"Temporal Coincidences or Binary Cases? A Preliminary Note"</u> , by J.B.Delair.....	page 62.

EDITORIAL

It is becoming increasingly apparent that ufo activity is on the increase, this being perhaps a real trend rather than one resulting from steadily improving monitoring systems or a growth in the number of individuals now undertaking serious ufo research. Nor is this increase merely the result of the well known cyclic ufo activity commonly known as "waves". Instead, the traceable ufo activity over the past ten years has, irrespective of whether a "wave" was occurring or not, been remorselessly growing in intensity and distribution. The general impression among those concerned with ufo research and those just "interested" in ufos is that a slow build-up towards something quite dramatic is, and has for some while been, occurring. Such a conclusion, assuming it is valid, can be viewed from several points of view. To some it might appear welcome, to others alarming, and to others something inevitable. But, as suggested below, ufo activity is not the only area in which there has recently been a heightened general awareness.

Since around 1973 there has been a positive deluge of books dealing with ufos, ghosts, the occult, fairies, and such enigmatic subjects as Bigfoot, and Nessie. Other publications have focussed sharply upon typical Fortean themes for the first time in many a long year, and others have discussed drugs and narcotics in comprehensive terms. And coupled with, or perhaps parallel to, all the foregoing there has been an astonishing increase in science-fiction, which has featured in several notable films, certain gramophone records, and, above all, swollen the shelves of bookshops to an unprecedented degree. It seems, in fact, as though there has been a quite remarkable and relatively sudden release of awareness in all these things, at both a general public level and at a personal level in the case of countless individuals.

Now, there have for long been advocates among the ufological fraternity of the connection (real or apparent) between "nuts-andbolts" type ufos on the one hand and parapsychical type ufos on the other. Some sightings combine elements of both these two extremes, much to the puzzlement of researchers and authors. Connections have been traced between ufos and Bigfoot (Sasquatch), and others have supposedly been traced between ufos and Nessie. The evidence presented in all such

instances is almost always questionable, although it is admittedly as difficult to wholly discard such connections as it is to convincingly prove them. There is frequently a residue of seemingly valid data that, while remaining inexplicable in isolation, persists in tenuously linking-up many of these otherwise apparently quite separate disciplines. A result of this is that, while one is seldom fully convinced of the validity of such connections, one is also aware that the data, whatever its nature, constitutes a phenomenon in its own right and that this phenomenon demands a rational explanation. The real question is, what is a rational explanation? The frontiers of Man's knowledge are expanding at such a rate and our awareness of an ever more complex Creation is intensifying to such a degree that the very idea of what is traditionally thought of as "rational" may now even be queried. After all, what was rational dogma ten years ago is already out of date. And so it goes on. So, what is rational?

Is the aforementioned upsurge of interest at all levels in ufos, the occult, and the psychic part of this widening of awareness process? One might enquire if such a growing awareness is but a prelude to a far wider appreciation of the modus operandi of the Universe preparatory to some event of still greater significance to us all. We might develop this theme a little further, as follows.

Imagine that some non-divine but immeasurably more advanced super intelligence exists in the general vicinity of Earth, or is capable of reaching it, and that, being so advanced, it no longer has a corporate body. In effect it is an energy field, and as such presently unrecognised by us. Thus, despite its vast abilities, it would experience great difficulty in getting Man to recognize its existence, and, until that occurred, could scarcely hope for meaningful communication with us. In order to implant in human minds the very idea of its existence, therefore, an apparently fruitful method to achieve this might be to fashion a large series of images recognizable by us as having obvious alien origin. All loosely similar in design, such images would need to be near the present limits of our technical knowledge in order to indicate the highly advanced nature of the images. The staffing of such images with a variety of essentially humanoid occupants interested in a great range of subjects would implant in us the idea of a super intelligence. Alien objects, highly advanced and intelligently controlled would be the result. Ufos are just these units. Such a process is thus seen to be essentially educative, whereby ufos and their occupants may be no more than the "tools" of our hypothetical super intelligence, and but stepping stones, as it were, to some more awesome confrontation in the future.

The educative process, if that is what it truly is, may also be working simultaneously in the paranormal and occult fields, as part of some vast intertwined programme. We have already noted that certain inexplicable strands appear to link many of these enigmatic disciplines. The links between ufos and these other areas may thus be seen to have been deliberately forged by our hypothetical super brain in order to heighten our awareness of things in general. Study one subject and one tends to become embroiled in studies of at least some of the others. This, in fact, appears to be what is happening globally at present, and at different levels of society and different levels of interest. Needless to say, we have to hope that, if any of the above is true, the mysterious regulator of these things proves to be benign rather than malevolent. Nevertheless, we should remember that neither type of being would gain much from their respective actions if Man remained unaware of matters; surely there would be little point in attempting any actions if they were not appreciated (or cursed).

One does not have to regard ufos from this viewpoint, but to fail to be cognizant of the above possibilities might be tantamount to walking into a lion's den.

The Editor.

TYPE I PHENOMENON AT KNOKKE-HEIST, BELGIUM,

by

Rudy de Groote*

Summary:

A curious light phenomenon related by the witness to unusual effects has been investigated. The witness is evidently of high reliability so that, despite the odd nature of the phenomenon reported, the reality of the episode is regarded as valid.

Introduction:

This case came to our attention when Mr Marnix Maertens of Zeebrugge described the incident to GESAG-SPW director Jacques Bonabot on October 3rd., 1969. Mr Maertens knew that one of the witnesses was named "Noel ...", but at that time attempts to locate the witness were unsuccessful.

At the beginning of 1973, however, Mr Johnny De Groote of the SPW-Knokke team decided to reinvestigate the case. It should be mentioned that Mr Johnny De Groote is no relation of the author.

On February 3rd., 1973, Johnny De Groote talked with Mr Maertens, who told him that he went back to the sighting location about one hour after the incident in company with "Noel..." and two other friends named Robert Van Torre from Zeebrugge and Rudy De Ceuninck from Heist.

It subsequently took Johnny De Groote four months to track down the whereabouts of these two latter individuals. Eventually he met Rudy De Ceuninck on June 12th., 1973. From this meeting Johnny De Groote learned that Noel's full name was Noel De Groote (again no family connexion) and that he lived in Lissewege, a small place near Brugge.

But enquiries revealed that Noel De Groote was unknown in Lissewege. Eventually, after liaison with the local police, it was determined that Noel De Groote had moved to Wondelgem, a place near Gent. Accordingly, a letter was written to him, which was kindly answered on October 25th., 1973. As the witness resided near Gent, which is the home-town of this author, the entire file was turned over to me in December 1973. From that point onwards I became involved in investigating this intriguing case.

Investigation:

I interviewed the witness on January 2nd., 1974. I learned that Noel De Groote was born in December 1948, and that he is a metal-worker by trade. He made a very serious impression at the interview and neither seeks nor has sought publicity concerning this incident (as indeed the trouble we had in locating him confirms).

Location of sighting:

Wooded area of a park approximately 100 metres from the Route Royale in Knokke-Heist, Belgium (03°14' E. - 51°20'30" N.). President General Willemspark.

The Date:

The incident occurred on a Saturday or Sunday (exact date unremembered) in July 1968 (The witness met his wife for the first time in January 1969, by which date the sighting had already occurred). The incident occurred during the evening (exact unremembered).

* Studiegroep Progressieve Wetenschappen, Jasmijnstraat 67, B-9000, Gent, Belgium.

Meteorological Conditions:

The weather was good: dry, a little on the cool side, and with no mist.

The cowitness:

There was one semi-witness to this case in addition to Noel De Groote. This was his girl-friend Josiane, a native of Liege who spoke French. Her surname has not been ascertained. Noel and Josiane met only a few times in all, and on the occasion of the present incident had just met for the first time in a public house. They had left the public house and gone to President General Willemspark about 10.00 p.m.

The sighting:

Noel and Josiane were sitting on a park bench by the time events commenced. They suddenly heard nearby leaves rustle violently. At this, Josiane wanted to leave, but Noel was curious and went to investigate the cause of the noise. He proceeded for about 20 meters along a small path, making a left turn and then a right turn. As he made the right turn he saw a strange conical mass between trees growing approximately 15 or 20 metres in front of him. The sight of this "thing" made Noel freeze in his tracks. Josiane, who was still at the park bench, could not see the strange mass from her location.

Noel just stood there for a few moments, then withdrew, keeping the "thing" in sight as he did so. Turning the sharp bend in the path --- the one he had previously negotiated --- the "thing" was no longer visible, being obscured by intervening trees. Due to this and his continued withdrawal from the scene, Noel did not see how the "thing" departed or disappeared. Hurrying back to Josiane he explained what he had seen. They then quickly hurried away, Noel admitting that he had been really frightened by the apparition or whatever it was. The entire incident had occupied about one minute of time.

About an hour after the above incident, Noel met some holiday friends -- Robert Van Torre, Rudy De Ceuninck, and Marnix Maertens. On hearing about Noel's experience, they all returned to the park in Mr Maertens's car, a Fiat 600. Arriving at the scene nothing could be seen that was unusual. Nevertheless, they tried to duplicate the "light effect" with the car's headlamps, but none of their attempts resembled the apparition witnessed by Noel. This was not really surprising, as even had the conical mass observed by Noel been produced by a car, both he and Josiane would surely have heard its arrival while they sat on the park bench. This, however, was not the case. Nor, of course, do cars normally rustle leaves in the strange manner heard by Noel and Josiane.

Site examination revealed no marks or traces. Noel, however, has always wondered how the branches of the trees adjacent to the apparition remained undamaged by it.

Description of the Phenomenon:

The phenomenon consisted of one object, which was dull white in colour and of a conical shape. It was, however, badly defined (?diffuse). But, was it truly an object? All that the witness saw a lightform. This was not, however, transparent and it resembled an obtuse triangle.

It occurred among trees 6 to 7 metres high. As the top of the phenomenon came half way up the tree trunks, it is concluded that the phenomenon was itself 3 to 3.5 metres tall. The bottom part of it was hidden by brushwood, however, so the witness was unable to see its base. The lowest part of it he estimated as being 1.20 metres wide, and the uppermost part of it as 20 to 30 cm wide.

The dull white colour was uniform and completely smooth over the entire surface of the phenomenon. Nor did the colour light up the surroundings. At no time did Noel see any movement from, in, or on the "thing", and he heard no sound from it. If it was an occupied object he saw no sign of possible pilots or entities.

Evaluation of the Incident:

There is no doubt that the witness is telling the truth as far as this experience is concerned. Nor does he wish to remain anonymous, yet seeks no publicity. It is a pity that Noel has since lost touch with Josiane, as her testimony might have proved helpful. She has not been traced.

It has long been my opinion that somebody played some kind of trick upon Noel and Josiane, but after due consideration of all the facts I no longer feel this to be the case. Nobody knew of their first meeting or could have readily foreseen it, and therefore could not have predicted that they would take an evening stroll in the park. Yet it is possible that somebody in the public house overheard their conversation and decided to play a joke on them. That, however, would have meant that the trickster/s would have had to have followed them for some while, presumably at a distance to make sure that the trick was enacted after Noel and Josiane had entered the park. But how did the trickster/s know that Noel and Josiane would go to Willemspark? This, according to Noel, was only decided while they strolled outside the public house and before they even reached the vicinity of the park. Even if others were following Noel and Josiane, it is almost impossible to imagine how such a trick, which by its very nature must have been complicated, could have been carried out in such a relatively short time. And if someone had duped Noel and Josiane, would they have confessed to the act after a while, perhaps saying: "It really shook you up didn't it?" After all, there is little point in playing jokes and tricks on others if the jokers do not eventually make themselves known to their victims after a while.

But even the possibility of the event being a joke (which is admittedly a rather remote one) has foundation, the spot chosen for it was a poor one. The actual place could not be seen from the park bench used by Noel and Josiane. Then again, what if Noel had not go off to investigate? The trick would then have failed.

Conclusion:

The conclusion must be that, for at least the time being, some very puzzling and anomalous phenomenon occurred near the ground in Willemspark, Knokke-Heist, in July 1968. No recognisable ufo was observed, although cone-shaped ufos have been reported from elsewhere on various other occasions, and the reported "apparition" or "thing" did not really resemble an entity or creature; so there is probably no evidence for linking the incident to ufology in its more "conventional" guise. Nonetheless, the object or "thing" reported was frightening to the lone witness, and the rustling noise that preceded the actual observation is one which has been associated with ufo manifestations elsewhere according to other witnesses. Many eyewitnesses to ufo visitations have admitted to a fear or dread of what they were confronted with, a reaction reflected by many animals exposed to the near approach of ufos too.

As our appreciation of the range of phenomena demonstrably connected with the ufo enigma deepens, so does the character of ufo-oriented events become ever more varied. In fact, the ufo problem becomes more and more complex the longer we investigate it. It would, therefore, be premature to discard the above incident as divorced from ufology, just as it would be to embrace it unquestioningly as a definite ufo event.

1972: GENERAL ANALYSIS.

After the intense and heavily reported ufo activity of 1965 to 1968, and the publication of the unpromising findings of the Condon Committee late in 1968, interest in the ufo phenomenon waned dramatically at all levels. The result was that many ufo study groups collapsed and publications (the channels through which information about ufos is disseminated) grew markedly fewer.

Compared with the preceding three years, the volume of recorded ufo activity during 1969, 1970, and 1971 was noticeably low and, with few notable exceptions, of little immediate interest. These differing annual characteristics have been brought out in previous volumes of this journal (1).

How much of this reduction in ufo activity represented a true drop and how much of it resulted from a weakened monitoring system (itself never very comprehensive) caused by the diminution in the number then of active study groups capable of monitoring the phenomenon, may never be definitely known. Nonetheless, ufos returned with a vengeance in 1973 on a global scale, with an attendant mushrooming of renewed public interest in ufos and the birth of new or the resurrection of some older ufo study organizations. In between these activity extremes lay 1972.

What, if anything, did the year 1972 reveal by way of preparation for the worldwide ufo upsurge of 1973? Although certain episodes in the 1972 ufo record have received special attention — for example, the South African "wave" of July (2) — ufo reports dating from 1972 have generally been unusually slow to arrive on ufologists' desks. Indeed, a relatively large number of them have only been published in the last three years. The bibliographic section of the present analysis reflects this. Certainly there has been no published overview of ufo activity for 1972. The following survey attempts to remedy this.

The spectacular and apparently important events of 1973, especially those of the second half of that year, have preoccupied much time among ufologists since that period and it may well have been this factor that has caused (a) the slow filter-through of ufo reports for 1972, and (b) the failure until now to produce a general analysis of the relevant activity. But whatever the real explanation, there can be little doubt that, until now, 1972 has been a rather neglected year ufologically speaking.

To date, 617 alleged ufo reports for 1972 have been received and analysed by Data Research. Of these 78 have been identified as natural phenomena or manmade aerial contrivances (see categories section for definitions of these). This leaves a residue of 539 reports pertaining to objects of unknown or uncertain origins, and of these only 73 cases are thought to relate to definite or genuine ufos. It must be noted, however, that of the remaining cases, many lack sufficient detail to enable determinations of their real import to be undertaken. Thus many category B or C reports may well represent genuine ufo sightings, while many category D reports may well relate to natural phenomena or man-made aerial devices. It should also be mentioned that in addition to all the aforementioned cases several indications are known of numerous further sightings that are undocumented except for the very vague statement that they had been occurring for days, weeks, or even months in specific localities or neighbourhoods prior to the date of publications printing such vague records. One such instance was the "Russell (Kansas) Daily News" which, in 1973, referred to the sighting in Kansas of numerous ufos during August 1972. Enquiries made of that newspaper have remained unanswered. Such is not an uncommon development in ufo research.

The present totals also include a number of interesting lunar sightings made from Apollo spacecraft then in the vicinity of the Moon.

The following table summarizes the category totals resulting from an analysis of the known 1972 reports mentioned above.

Categories.	A	B	C	D	E	F	G	H	J	K	L	M	N	P	Totals.
British reports.	6	11	34	35	1	8	8	2	9	1	-	17	4	1	137
Foreign reports.	67	74	103	209	4	6	1	3	1	-	2	4	3	-	480
Totals:	73	85	137	244	5	14	9	5	10	1	2	21	7	1	617.

From the above it will be seen that a relatively large number of aircraft were misidentified by witnesses who reported them as ufos, and that, similarly, several satellites were reported as ufos. Considering the overall total of cases received for 1972, these two categories were actually fairly small percentages of the total, from which it may be tentatively concluded that the other (as yet unidentified) reports did indeed relate to objects or phenomena outside the everyday experience of the eyewitnesses, a significant percentage of whom were professionally trained observers (see section c of eyewitness break-down tables).

UFO Categories.

For the benefit of those readers lacking access to previous issues of the UFO Register in which these have been printed, the ufo categories recognized by

Data Research are as follows.

Categories.

Definition of Categories.

- A. Genuine UFOs: reports containing abundant data permitting thorough investigation.
- B. Probable UFOs: available data not 100% conclusive, but nearly so.
- C. Possible UFOs: data less than 75% conclusive, although on balance the known details indicate that the relevant phenomenon could have been a genuine UFO.
- D. Reports lacking sufficient data for positive identification either way. Most objects observed for 5 seconds or less are so classified.
- E. Rocketry and space capsule debris.
- F. Artificial satellite (e.g., Telstar).
- G. Meteor.
- H. Fireball (bolllide, etc.).
- J. Star.
- K. Planet.
- L. Parhelia, Aurora, Mirages, Temperature Inversions, or comparable natural effects.
- M. Aeroplane (helicopters included).
- N. Meteorological Balloon.
- P. Hoax or Hallucination.

A further category is here added, R. This accommodates sightings of high-flying birds, insects or plant seeds (e.g., thistle-down), such as are occasionally submitted by misinformed eyewitnesses as ufos. In this connection, it should be noted that certain eyewitnesses have defective eyesight, but are unaware of it.

32. Daily Courier, 27.9.1972.
33. Daily Dispatch, 18.11.1972.
34. Darwin (Australia) News, 21.9.1972.
35. Data Net, vol.vi, no:12, 1972.
36. Des Moines Register, 23.7.1973.
37. Essex Weekly News, 23.11.1972.
38. Flying Saucers (Ray Palmer), summer, 1973.
39. " " (" "), winter, 1974.
40. Flying Saucer Review, vol.18, no:6, 1972.
41. " " " " , vol.19, no:1, 1973.
42. " " " " , vol.19, no:2, 1973.
43. " " " " , vol.20, no:6, 1974 (1975).
44. Fountain Journal (Warminster), no:8, 1977.
45. France-Soir (Paris), 22.3.1972.
46. " - " ("), 23.3.1972.
47. Gazet van Antwerpen, 8.8.1972.
48. GICOFF Magazine, no:1, 1976.
49. " " " " , no:3, 1974.
50. Guernsey Evening Post (Channel Islands), 19.8.1972.
51. " " " " (" "), 30.11.1972.
52. " " " " (" "), 2.12.1972.
53. " " " " (" "), 11.12.1972.
54. " " " " (" "), 29.12.1972.
55. Hervey, M., 1976. "UFOs: The American Scene" (Robert Hale, London).
56. Hessische Allgemeine, 3.5.1972.
57. Highway Mail, 24.2.1972.
58. Inforespace, vol.i, no:3, 1972.
59. " " " " , vol.i, no:5, 1972.
60. " " " " , vol.i, no:6, 1972.
61. " " " " , vol.2, no:7, 1973.
62. Johannesburg Star, 27.6, 1972.
63. " " " " , 1.7.1972.
64. " " " " , 14.7.1972.
65. " " " " , 21.7.1972.
66. Johannesburg Sunday Times, 5.3.1972.
67. " " " " , 29.6.1972.
68. " " " " : 4.7.1972.
69. Jornal do Brasil, 28.6.1972.
70. Langley (British Columbia) Advance, 26.10.1972.
71. Lantern magazine, no:11, 1975.
72. La Razon, 13.9.1972.
73. L'Aurore, 31.3.1972.
74. La Voz del Pueblo, 11.1.1973.
75. Lumieres Dans Le Nuit, no:124, April, 1973.
76. Le Progres-Soir, 20.3.1972.
77. Le Provençal, 21.3.1972.
78. Les Dépêches, 5.6.1972.
79. Listin Diario, 13.10.1972.
80. " " " " , 19.10.1972.
81. " " " " , 28.10.1972.
82. L'Oise-Matin, 23.3.1972.
83. L'Ouest, 20.3.1972.
84. Melbourne (Australia) Age, 21.9.1972.
85. Midlands Observer, 2.2.1973.

86. Natal Mercury, 8.7.1972.
 87. " " , 9.7.1972.
 88. " " , 24.7.1972.
 89. Natal Witness, 18.7.1972.
 90. News Herald (Marshfield), 20.10.1972.
 91. Northern UFO Network News (NUFON), no:17, 1975.
 92. " " " " { " }, no:24, 1976.
 93. " " " " { " }, no:25, 1976.
 94. " " " " { " }, no:28, 1976.
 95. " " " " { 2 }, August 1977.
 96. " " " " { " }, October, 1977.
 97. Northern UFO Research, 19.5.1977.
 98. O Estada de San Pablo, 7.5.1972.
 99. Official UFO, October 1975.
 100. " " , November, 1975.
 101. " " , January, 1976.
 102. " " , February, 1977.
 103. Globo (Brasil), 12.6.1972.
 104. Oregon Journal, ?.8.1972.
 105. Peterborough Evening Telegraph, ?.7.1972.
 106. Phenomena (Wales), no:1, 1973.
 107. Phenomenes Spatiaux, no:31, 1972.
 108. " " , no:32, 1972.
 109. " " , no:34, 1972.
 110. " " , no:35, 1973.
 111. " " , no:36, 1973.
 112. " " , no:37, 1973.
 113. " " , no:38, 1973.
 114. " " , no:39, 1974.
 115. " " , no:40, 1974.
 116. " " , no:45, 1975.
 117. " " , no:48, 1976.
 118. Progres de Lyon, 20.11.1972.
 119. Rand Daily Mail, 11.7.1972.
 120. " " " , 12.7.1972.
 121. " " " , 17.7.1972.
 122. " " " , 19.7.1972.
 123. " " News, 28.6.1972.
 124. " " " , 29.6.1972.
 125. " " " , 3.7.1972.
 126. " " " , 4.7.1972.
 127. " " " , 6.7.1972.
 128. " " " , 12.7.1972.
 129. " " " , 24.7.1972.
 130. Roseburg Daily Review, Sept.1972.
 131. Russell (Kansas) Daily News, 3.2.1973.
 132. Salisbury, F.B., 1974. "The Utah UFO Display (Devin-Adair, Connecticut).
 133. Saturday Evening Mercury (Tasmania), 26.7.1975.
 134. Seattle Post-Intelligencer, 27.8.1972.
 135. Skylook, no:68, p.1973.
 136. Skywatch, no:22, 1972.
 137. " , no:24, 1973.
 138. Shropshire Star, 11.11.1972.
 139. SOBEPS News, no:3, 5.3.1976.

140. South Lines UFO Study Group Newsletter, no:48, 1973.
141. Spaceview (New Zealand), no:65, 1975.
142. " (" "), no:66, 1975.
143. " (" "), no:67, 1976.
144. Stendek (Barcelona), vol.iii, no:10, 1972.
145. " (" "), vol.viii, no:27, 1977.
146. " (" "), vol.ix, no:31, 1978.
147. Sunday Tribune, 2.7.1972.
148. Sydney Evening News, 14.9.1972.
149. Sydney Sun, 14.9.1972.
150. The Enterprise (Davis, California), 31.1.1977.
151. The National Tatler, 17.12.1972.
152. This Week (Forset City), ?.12.1972.
153. Tribuna de la Tarde (San Juan, Argentina), 12.12.1972.
154. UFO INFO (Belgium), no:37, 1974.
155. " " (" "), no:40, 1975.
156. " " (" "), no:42, 1975.
157. " " (" "), no:44, 1976.
158. " " (" "), no:50, 1977.
159. " " (" "), vol.i, no:4, 1977.
160. UFO Register, vol.4, pt.2, 1973, p.14.
161. UFO Report (Saga), Winter, 1973.
162. " " (" "), Spring, 1974.
163. " " (" "), Summer, 1974.
164. " " (" "), Autumn, 1974.
165. " " (" "), Winter, 1974.
166. " " (" "), Spring, 1975.
167. " " (" "), Summer, 1976.
168. " " (" "), Spring, 1977.
169. Understanding magazine, vol.17, no:11, 1972.
170. " " " " , vol.18, no:1, 1972.
171. " " " " , vol.18, no:5, 1973.
172. Verdans Gang, 29.6.1972.
173. " " " " , 6.7.1972.
174. " " " " , 17.8.1972.
175. Yorkshire Post, 21.10.1972.

In addition to the afore-listed sources, many scores of additional publications were consulted in connection with those reports that turned out to be explicable.

Our best thanks are again due to the numerous individuals who, via CONTACT (UK), supplied press-cuttings or information respecting particular sightings.

Chronological Listing.

The following list includes only category A, B, C, and D type events received for 1972. Times cited are local times and have not been reduced to sidereal times. Category ratings are given in parenthesis.

January:

- 1st. 4.0am. Tormod Resell, NORWAY. 3 globular lights: (D); o.
- 1st. 4.0am. Sigurd, NORWAY. 3 globular lights: (D); o.
- 1st. 4.0am. Selken, NORWAY. 3 undescribed objects: (D); o.
- 1st. 4.15am. Bergen airport, NORWAY. Several undescribed objects: (D); 4: 5.
- 1st. 4.17am. Grefsen, NORWAY. About 100 globes and discs: (C); 4: 5.
- 1st. c4.30am. Gulf of Bosthnia, between SWEDEN and FINLAND. A cigar-shaped object: (A); 4: 5.

- 1st. c.4.55am. Nedre Lerfoss and over Leirfossen, NORWAY. A cigar-shaped object: (A); 4: 5.
- 1st. 10.15pm. Stubban, near Trondheim, NORWAY. A undescribed aerial object: (D); 4: 5.
- 1st. Time ? 15 miles south of Flesland, NORWAY. Several unknown aerial objects: (D); o.
- 1st. Time ? Braathen, near Bergen, NORWAY. An undescribed aerial object: (D); o.
- 11th. Time ? (but p.m.). Southwell, Nottinghamshire, ENGLAND. A spiky-shaped luminous object or light: (C); 4: 13.
- 12th.c.8.50pm. Near Alamogordo, New Mexico, USA. Several undescribed "ufos", discussed officially during accidentally intercepted telephone conversation: (D); 55: 216.
- 13th. 6.06pm* Oxford, Oxfordshire, ENGLAND. Orange sphere trailing sparks, which allegedly landed: (C); 4: 13.
- 21st. 6.06pm. Near Lekness airfield, Vetvag Island, near Narvik, NORWAY. A large ovoid object and three smaller oval objects: (B); 11: 9-10.
- 29th. c.7.45pm. Near Lake Pupuka, NEW ZEALAND. A domed disc: (B); o.
- Date uncertain. c.3.00am. Blount Island, near the mouth of St. John's river, Florida, USA. A domed object on or very close to the ground. A 5-to-5½ foot tall entity exuding an overpowering stench was seen by a temporarily paralysed witness: (A); 164: 32.
- " " 10.30pm. Dartford, Kent, ENGLAND. A strange diffuse light: (D); 15: 25.
- " " Time ? Near Battle Creek Bridge, east of Anderson, California, USA. One, then two, glowing objects seen near the ground by 4 witnesses. Then a 7-foot tall entity was seen: (A); 163: 40.

February:

- 3rd. 11.57am. Over "Sainsbury's" warehouse, Basingstoke, Hampshire, ENGLAND. A bulb-shaped object: (D); c.
- 4th. 9.50pm. Kimba, South Australia, AUSTRALIA. A globular light: (C); 11: 13.
- 5th. 11.0pm. Unlocalised site in Maryland, USA. A discoidal object: (D); 1.
- 6th. Evening (exact hour ?). Durban, Natal, REP.SOUTH AFRICA. Several cigar-like objects in tight formation: (B); 4: 6; 27: 7.
- 8th. c.11.0pm. Over the Camet area of Mar del Plata, ARGENTINA. Several round objects observed by numerous witnesses: (B); 171: 8.
- 8th. p.m. (exact hour ?). Providence Road, Charlotte, North Carolina, USA. Object of uncertain shape landed and shot out a light beam up which was drawn a dog. The dog was drawn up inside the object and never seen again. A shocked witness afterwards found a "ground circle" at the spot where the object had landed: (A); 55: 267-277.
- 9th. 6.20pm. Rome, ITALY. An object in the sky resembling a "poached egg": (C); o.
- 9th. c.Midnight. Between San Nicholas and Ramallo, ARGENTINA. A cigar-shaped object: seen from an aeroplane. (D); 171: 8.
- 10th. 7.30pm. Fort Duchesne, Utah, USA. A domed object: (D); 132: appendix B, item 80.
- 10th. p.m. (exact hour ?). Liverpool, Merseyside, ENGLAND. A manoeuvring light at low altitude: (C); 4: 13.
- 12th. 6.30pm. Haydock, Merseyside, ENGLAND. A glowing blue ball at low altitude: (D); 91: 5.
- 12th. 7.15pm. Durban, Natal, REP.SOUTH AFRICA. A crescentiform object: (B); o.

* This time should be 11.00pm.

- 13th. Evening. Pinetown, near Durban, Natal, REP. SOUTH AFRICA. Three egg-shaped objects at very low altitude: (B); 27: 7; 1: 6; 56; 65.
- 14th. 3.15pm. D58 between Saint-Julien-de-Gua and Saint-Pierreville, FRANCE. A very luminous sphere: (C); 105: 15-16.
- 15th. 6.00pm. Near Féouzets, FRANCE. An oval-shaped object emitting rays from its lower half: (B); 105: 17-18.
- 17th. 8.00pm. Moreton, Merseyside, ENGLAND. Two discoidal objects: (C); 4: 13.
- 18th. unnoted (various times). Preston, Lancashire; Birkenhead, Merseyside; Birmingham, West Midlands; Chester, Cheshire; Abergele, Clwyd; Rhyl, Clwyd; Prestatyn, Clwyd; Mostyn, Clwyd; Broughton, Clwyd; and Wrexham, Clwyd. Many high speed white and green objects of unknown origin: (D); 4: 13.

March:

- 1st. Time ? Compton Bay, Isle of Wight, Hampshire, ENGLAND. Two globular lights moving at low altitude: (D); 15: 10.
- 10th. c.4.0am. South of Greensburg, Indiana, USA. A bocmerang-shaped object seen at very low altitude: (C); 101: 16.
- 10th. 9.55pm. 12km north-east of Vernon and 15 km south-east of Andelys, FRANCE. An egg-shaped object seen landed upon four short thin legs: pairs of oval windows or lights occurred at each end from which beams of light issued in a downwards direction upon the ground. (A); 72; 75; 76; 82; 44; 105: 22-25.
- 11th. 10.00 pm. Canberra F.D., AUSTRALIA. A strangely moving light of unknown origin: (D); 2.
- 14th. 9.20am. Cumnor, Oxfordshire, ENGLAND. A huge pulsating light: (C); 4: 11.
- 15th. 9.00am. Corby, Northamptonshire, ENGLAND. A spiky ball-shaped object: (C); 1: 11.
- 15th. 9.35am. Georgetown, Tasmania, AUSTRALIA. A globular light: (D); 2.
- 15th. 11.30pm. Townsville, Queensland, AUSTRALIA. A globular light: (D); 2.
- 18th. 7.20pm. Near Litz, AUSTRIA. A giant funnel-shaped object: seen from an aeroplane, many instruments on board which went "wild": (A); 164: 56. Also seen at approximately the same time from Radstadt in GERMANY; near Geneva, SWITZERLAND; Linz, AUSTRIA; d'Essais, Landes; Tibere; Bouches-du-Rhone; Aix-en-Provence; Salon, Dordogne; Paris; Eyguieres, Dordogne; Montreaux; and Bordeaux (all in FRANCE); 57: 8.
- 20th. 9.30pm. 3km from crossroads between Crillon and Songeons, Oise, FRANCE. An ovoid luminous object at very low altitude, that caused electromagnetic effects: (A); 45; 81; 105: 25-28.
- 21st. Time ? Various unspecified localities in Normandy, FRANCE. Several undescribed objects of unknown origins, two of which are alleged to have landed: (C); 6: 12.
- 21st. 8.00pm. Heywood, Lancashire, ENGLAND. A domed disc: (C); 15: 25.
- 23rd. Night-time (exact hour ?). Lujan, Buenos Aires, ARGENTINA. An undescribed object and an entity seen: (D); 144: 13.
- 26th. 5.30pm. D108 between Dargies and Grandvilliers, Oise, FRANCE. A rotating luminous disc. Witnesses panicked: (A); 105: 28-29.
- 28th. 9.05pm. Songeons, Oise, FRANCE. A sphere with a small dome on top: (A); 105: 28-29.
- 29th. 2.15am. North Balwyn, Victoria, AUSTRALIA. A globular light: (D); 2.
- 29th. 7.55pm. Unlocalised site, ITALY. A domed disc: (B); o.

April:

- 1st. 7.30pm. Moonee Pond, Victoria, AUSTRALIA. An undescribed object: (D); 2.
 1st. Time ? East London, Cape Province, REP.SOUTH AFRICA: (D); 27: 7. Several globular lights.
 14th. Night-time (exact hour ?). Over the junior school at Campbell River, British Columbia, CANADA. An unknown object emitting red "streaks": (D); 6: 12.
 15th. Time ? Sint Michiels, BELGIUM. An undescribed object: (D); 150: 10.
 15th. Time ? Brugge, BELGIUM. An undescribed object: (D); 150: 10.
 16th. Night-time (exact hour ?). Near Colorado Springs, Colorado, USA. A brilliant hovering object: (D); 55: 217.
 18th. 9.45am. Goulburn, New South Wales, AUSTRALIA. A globular light: (D); 2.
 18th. Time ? Pokhara, NEPAL. A domed disc: (B); 163: 6.
 22nd. Time ? On the Moon (see from Apollo 6 command module "Caspar"). A strange flashing object: (C); 6: 12.
 24th. 7.00pm. Willow Point, Quadra Island, CANADA. A discoidal object: (C); 4:12.
 25th. Time ? Delft, BELGIUM. An undescribed object: (D); 31; 154: 19.
 25th. Time ? Nijmegen, BELGIUM. An undescribed object: (D); 31; 154: 19.
 Date unnoted. c.8.00pm. By Lake Huaypo, near Urubamba, PERU. A disc, which plunged into the lake. 4 nearby cars stalled (engines malfunctioned simultaneously) when this occurred: (A); 139.

May:

- 1st. 7.30pm. Tatui, Boituva, and Capella do Alto, BRAZIL. A luminous zigzagging object sighted simultaneously over these towns on this date and the following 6 consecutive days at the same hour: (A); 97.
 2nd. 11.00pm. Salisbury, Maryland, USA. A discoidal object seen landed on the ground, with a ramp down from a door or opening. Two witnesses, both fearful, saw two 4-foot high entities by the object: (A); 1.
 2nd. Time ? 50km south of Vienna, AUSTRIA. A round brilliant object: (D); 58:11.
 3rd. Time. c.50km south of Wien, GERMANY. A circular object: (C); 55.
 6th. 5.00pm. Chelmer, Queensland, AUSTRALIA. A globular light: (D); 2.
 17th. 7.15am. Gladstone Road, Parnell, Auckland, NEW ZEALAND. An elongated object: (D); 141.
 18th. 3.00am. Cambooya, Queensland, AUSTRALIA. An undescribed aerial object: (D); 2.
 18th. Time ? Unlocalized area in JAPAN. An undescribed aerial object: (D); 100.
 24th. early a.m. (exact hour ?). Belo Horizonte (Adelaide area), Minas Gerais, BRAZIL. An undescribed object seen landed upon the ground by several witnesses. Three entities were also seen, and afterwards broken trees and an area of burnt grass were found at the landing site: (A); 101.
 24th. Time ? Grace district of Minas Gerais, BRAZIL. An undescribed object was seen landed upon the ground by several witnesses: (D); 101.
 25th. Time ? Baakens valley, Port Elizabeth, Cape Province, REP.SOUTH AFRICA. A sphere, seen by 2 witnesses: (D); 121; 136: 6.
 28th. 9.53pm. Victoria, British Columbia, CANADA. A curious light: (D); 17: 35.
 29th. Midnight. Ararimu, NEW ZEALAND. A loudly humming globular light seen at a very low altitude: (D); 143: 10. (the same object said to have been sighted here on many unspecified later dates in 1972).
 30th. Time ? Granabandal, SPAIN. A disc, that hovered for $\frac{1}{2}$ hour: (D); 164: 37.
 Date unnoted. Time ? Banana grove at Curitiba, Parana, BRAZIL. An egg-shaped object landed and left curious ground marks: (A); 68.

Date unnoted. Time ? Brugge, BELGIUM. A cylinder-like object: (C); 157: 22-23.
 " " " ? Road through the Sierra Morena between Cazalla and Guadalcanal, SPAIN: (B) A manoeuvring light; 110: 26.

June:

- 2nd. 8.50pm. Bethungra, New South Wales, AUSTRALIA. A fluorescent object: (D); 2.
- 3rd. 0.10am. 52km south-east of Dijon and 17km south of Dole, Jura, FRANCE. A luminous egg-like object: (C); 77; 106: 26-28.
- 4th. c.6.05pm. Bents Basin, near Wallacia, New South Wales, AUSTRALIA. An object like two plates joined at the rims, at very low altitude. A humanoid was seen by 6 witnesses, and the engine of a car at the scene caught fire: (A); 164.
- 5th. 10.15pm. Molopo Road, near Vryburg, REP.SOUTH AFRICA. A huge sphere at a very low altitude: (B); 66.
- 8th. 11.00pm. Talbingo, New South Wales, AUSTRALIA. An undescribed object:(D); 2.
- 8th. 12.50pm. Carabinieri barracks, Trieste, ITALY. A domed disc: (C); 100: 31.
- 8th. 12.55pm. Iguela, GABON. An oval object with 2 fins: (B); o.
- 11th. 11.45pm. Blackmill, on A4061 near the Isolation Hospital near Bridgend, Glamorgan, WALES. A ?cigar-shaped object: sheep in fields nearby were seen to be restless when this object was in the vicinity: (B); o; 8.
- 14th. 11.15pm. Mariano, ITALY. A manoeuvring starlike object: (D); o.
- 15th*. --- Shore of Kjolsoya Island (64°25'N. 11°20'E.), Namsen Fiord, NORWAY; many radioactive round and triangular ground marks of unknown origin. Similar marks were found more or less simultaneously on the shore in Lyngen Fiord, on the shore at Lokkaren inlet, Namsen Fiord, and on the shore of Sundsoya Island in Namsen Fiord, NORWAY. There were no ufos observed: (D); 12: 10-11; 172; 173; and 174.

* There are grounds for suspecting that the date of the creation of these ground markings was June 9th., as on that date local TV interference occurred and an electrical transformer cut-out for no apparent reason.

- 17th. Night-time (exact hour ?). N.of Bloemfontein, Orange Free State, REP. SOUTH AFRICA. An unusually large star-like object: (D); 86; 120.
- 20th. 10.35pm. Villa Constantino, ITALY. 2 globular lights: (D); o.
- 20th. 11.15pm. Villa Constantino, ITALY. 2 globular lights: (D); o.
- 20th. very late p.m. Logrono, SPAIN. A football-shaped light (D); 41; 111: 25-28; 145.
- 24th. 7.55pm. Watsonia, Victoria, AUSTRALIA. An undescribed aerial object: (D); 2.
- 25th. dusk (exact hour ?). Baakens valley, Port Elizabeth, Cape Province, REP. SOUTH AFRICA. A sphere: (D); 27; 121; 136: 6.
- 25th. c.8.00pm. Braeside Farm, near Fort Beaufort, Cape Province, REP.SOUTH AFRICA. A saucer-shaped object at a very low altitude; seen by several witnesses. (A); 5: 12; 20; 19; 27; 61; 121; 122; 123; 147.
- 25th. 11.45pm. Cassia, ITALY. An unusual star-like object: (D); o.
- 28th. Night-time (exact hour ?). Macleantown, near East London, Cape Province, REP.SOUTH AFRICA. An undescribed object: (D); 136: 7.

- 28th. c.3.30pm. Scarborough, Yorkshire, ENGLAND. A transparent globe: (D); 5: 13.
 28th. Time ? Over Queenstown aerodrome, Cape Province, REP.SOUTH AFRICA. An undescribed object: (D); 136: 7.
 29th. c.11.00pm. Leamington Spa, West Midlands, ENGLAND. Several flashing lights of unknown origin. Three witnesses. 95: 3.
 Date unnoted.* Time ? Agua de Juruba, Apucarana, Parana, BRAZIL. A sphere or disc landed in a banana grove, and was seen by 2 witnesses: (A); 68.

* Sometime during the week preceding June 28th.

- Date unnoted. Time ? Road through Sierra Morena, between Guadalcanal and Cazalla, SPAIN. A "foo-fighter" type of object: (D); 110: 26.

JULY:

- 1st.7.25am. Wellington, Cape Province, REP.SOUTH AFRICA. A globular light: (C); 62; 27: 7; 136: 7.
 1st.8.25pm. Wagga Wagga, New South Wales, AUSTRALIA. 6 globular lights: (D); 2.
 1st.10.30pm. Constantia, Cape Province, REP.SOUTH AFRICA. A globular light: (D); 27: 7.
 1st.10.30pm. Genoa, ITALY. A tadpole-shaped object: (C); o.
 1st.10.37pm. Unlocalised site, ITALY. A manoeuvring star-like object: (D); o.
 2nd.0.05pm. Queenstown, Cape Province, REP.SOUTH AFRICA. An undescribed object: (D); 27: 7.
 2nd.7.00pm. Fordyce area, Braeside, Cape Province, REP.SOUTH AFRICA. A triangular object: (C); 123.
 2nd.7.15pm. Fort Beaufort, Cape Province, REP.SOUTH AFRICA. A triangular object: (C); 27: 7.
 2nd.8.45pm. Fort Beaufort, Cape Province, REP.SOUTH AFRICA. A discoidal object: (C); 27: 7.
 2nd. Time unnoted. Cape Town, Cape Province, REP.SOUTH AFRICA. An undescribed object: (D); 27: 7.
 2nd. " " Port Elizabeth, Cape Province, REP.SOUTH AFRICA. An undescribed object: (D); 27: 7.
 2nd. " " Chandler Bay, Cape Province, REP.SOUTH AFRICA. A cylindrical object: (B); 27: 7.
 3rd.6.00am. Fort Beaufort, Cape Province, REP.SOUTH AFRICA. A globular light: (D); 27: 7; 124; 136: 7.
 3rd.6.00am. Durban, Natal, REP.SOUTH AFRICA. A sphere: (C); 27: 7.
 3rd.7.15pm. Rosehill, Durban, Natal, REP.SOUTH AFRICA. A large brilliant light performing yo-yo movements in the sky: (C); 124.
 3rd.8.00pm. Queenstown, Cape Province, REP.SOUTH AFRICA. A globular light: (D); 27: 7.
 4th.0.10am. Jemeppe-sur-Sambre, BELGIUM. 12 objects of which one was triangular: (C); 60: 21.
 4th.5.40am. Fort Beaufort, Cape Province, REP.SOUTH AFRICA. A globular light: (D); 27: 7; 124.
 4th.6-7.00am. Over sea off Durban, Natal, REP.SOUTH AFRICA. A pink object that abruptly dematerialised. 27: 7; 136: 7 (C).
 4th.0.15pm. Courcelles, BELGIUM. An unknown red object: (D); 60: 21.
 4th.4.04pm. Seraing, BELGIUM. An elongated object: (D); 60: 21.
 4th.8.45pm. Brisbane, Queensland, AUSTRALIA. A cigar-shaped object: (B); 2.
 4th.9.30pm. Cheoux, near Marche-en-Famenne, BELGIUM. A brilliant white light of unknown origin: (D); 60: 21.
 4th.9.50pm. Faymonville, BELGIUM. A brilliant white object: (C); 59: 16.
 4th.10.00pm. Lambermont, BELGIUM. A lenticular-shaped light: (D) 59: 16.

- 4th. 10.10pm. Lamourville, BELGIUM. A triangular-shaped light: (B); 59: 16.
- 4th. 10.15pm. Brussels, BELGIUM. A small unknown aerial object; photographed: (D); 60: 21.
- 4th. 10.15pm. Grace-Hollogne, BELGIUM. 3 white lights arranged as a triangle: (C); 59: 16-17.
- 4th. 10.15pm. Val-St.-Lambert, BELGIUM. 3 white lights: (C); 59: 17.
- 4th. 10.30pm. Liege, BELGIUM. 3 bowl-shaped objects: (B); 59: 16.
- 4th. 10.31pm. Flawinne, BELGIUM. 3 white lights: (C); 59: 17.
- 4th. 10.40pm. Spy, BELGIUM. 3 white lights: (C); 59: 17.
- 4th. c.10.40pm. Ath, BELGIUM. 3 discoidal objects: (B); 59: 17.
- 4th. 10.45pm. Ellezelles, BELGIUM. A blue luminous cloud that emitted 3 rays of light onto the ground: (B); 59; 14: 6, 8.
- 4th. 11.15pm. Portland, Victoria, AUSTRALIA. A cigar-shaped object: (B); 3.
- 4th. Night (exact hour?). Overijse, BELGIUM. A luminous white object: (D); 60: 21.
- 4th. Time unnoted. Adelaide, Cape Province, REP.SOUTH AFRICA. An undescribed aerial object: (D); 27: 7.
- 4th. " " Cape Town, Cape Province, REP.SOUTH AFRICA. A globular light: (D); 27: 7.
- 5th. 1.50am. King William Town, Cape Province, REP.SOUTH AFRICA. A hat-shaped object: (B); 27: 7.
- 5th. 1.25am. Fish River bridge, Cape Province, REP.SOUTH AFRICA. A half-Moon shaped object: 27: 7; 108: 31. (B).
- 5th. 2.05pm. Southport, Queensland, AUSTRALIA. A cylindrical object: (D); 3.
- 5th. 2.50pm. King William Town, Cape Province, REP.SOUTH AFRICA. A banana-like and a triangular-shaped object: (A); 27: 7.
- 5th. 5.00pm. Brisbane, Queensland, AUSTRALIA. A fish-shaped object: (D); 3.
- 5th. 9.00pm. Mooraduc Road, between Frankston and Dromana, c.35 miles S.E. of Melbourne, New South Wales, AUSTRALIA: A domed double-saucer that paced a car: (A); 2.
- 5th. 9.00pm. Orange River Station, Cape Province, REP.SOUTH AUSTRALIA. A fiery ball: (D); 125; 136: 7; 27: 8.
- 5th. 9.00pm. Witput, Cape Province, REP.SOUTH AFRICA. A fiery ball: (D); 27: 8; 136: 7; 125.
- 5th. 9.00pm. Hope Town, Cape Province, REP.SOUTH AFRICA. A fiery ball: (D); 125; 136: 7.
- 5th. 9.00pm. Kraankuil Station, near Petrusville, Cape Province, REP.SOUTH AFRICA. A fiery globe: (D); 27: 8; 125; 136: 7.
- 5th. 9.31pm. Stockton, Teeside, Cleveland, ENGLAND. A boomerang-shaped object: (B); 5: 13.
- 5th. 9.40pm. Witput, Cape Province, REP.SOUTH AFRICA. A fiery ball: (D); 27: 8.
- 5th. 10.00pm. Vryburg, Cape Province, REP.SOUTH AFRICA. An immense globe at a very low altitude, which suddenly dematerialised: (B); 27: 8; 136: 7.
- 6th. c.8.40pm. Port Elizabeth, Cape Province, REP.SOUTH AFRICA. An egg-shaped object and a squiggly line in the sky near it: (C); 23; 27: 8; 85; 136: 7-8.
- 6th. c.8.40pm. Uitenhage, Cape Province, REP.SOUTH AFRICA. A banana-shaped object: (C); 23; 85.
- 6th. c.8.40pm. Despatch, Cape Province, REP.SOUTH AFRICA. A banana-shaped object: (C); 23; 85.
- 6th. c.9.00pm. Inanda, Kew, Illova, and Linksfield districts of Johannesburg, Transvaal, REP.SOUTH AFRICA. A banana-shaped object: (C); 27: 8; 85.

- 7th. 7.45pm. Fort Beaufort, Cape Province, REP.SOUTH AFRICA. An undescribed aerial object of unknown origin: (D); 27: 8.
- 7th. 8.50pm. Durban, Natal, REP.SOUTH AFRICA. A globular light: (D); 27: 8.
- 7th. Evening (exact hour uncertain). Honeydew drive-in theatre near Johannesburg, Transvaal, REP.SOUTH AFRICA. A three-tailed fiery globe: (D); 67.
- 7th. Time unnoted. Port Elizabeth, Cape Province, REP.SOUTH AFRICA. An egg-shaped light: (D); 136: 8.
- 7th. Time unnoted. Uitenhage, Cape Province, REP.SOUTH AFRICA. A globular light: (D); 27: 8.
- 7th. Time unnoted. Despatch, Cape Province, REP.SOUTH AFRICA. A globular light: (D); 27: 8.
- 8th. 8.30pm. Between Grahamstown and Adelaide, Cape Province, REP.SOUTH AFRICA. A huge light: (D); 27: 8; 118.
- 8th. 10.00pm. Near the Sierra de Cuasayan, Lavallo, Santiago del Estero, ARGENTINA. A luminous train-like object: (A); 108:29; 113:30.
- 8th. 10.00pm. Tapso, Santiago del Estero, ARGENTINA. A luminous train-like object: (A); 108: 29; 113: 30.
- 8th. 10.00pm. Frias, Santiago del Estero, ARGENTINA. A luminous train-like object: (A); 108: 29; 113: 30.
- 8th. Night (exact hour unnoted). Fort Beaufort, Cape Province, REP.SOUTH AFRICA. A large unknown light: (D); 27: 8; 118.
- 8th. Night (exact hour unnoted). Beanfield on Slaikou Farm, 14 miles W. of Goldfield, Iowa, USA. Strange ground marks and wilted crops that were healthy the day before: (D); 36.
- c.8th. Night (exact hour unnoted). Beanfield on farm near Story City, Iowa, USA. Strange ground marks and wilted crops that were healthy the day before: (D); 6: 13; 36; 166: 36.
- c.8th. Night (exact hour unnoted). Beanfield on farm near Laurens, Iowa, USA. Odd ground marks and wilted crops that were healthy the day before: (D); 36.
- 9th. 8.30pm. Fort Beaufort, Cape Province, REP.SOUTH AFRICA. Erratically moving globular light (D); 27: 8.
- 10th. 7.30am. Wellington, Cape Province, REP.SOUTH AFRICA. A shell-shaped object: (C); 27: 8.
- * 10th. early a.m. (exact hour unnoted). Dighton, Kansas, USA. Several multicoloured lights: (D); 6: 13.

* Also on other unspecified dates in July 1972.

- 10th. 7.00pm. Pretoria, Transvaal, REP.SOUTH AFRICA. A semi-circular object (not the Moon): (C); 27: 8; 136: 8; 117.
- 10th. 7.00pm. Welkom, near Pretoria, Transvaal, REP.SOUTH AFRICA. A semi-circular object (not the Moon): (C); 27: 8; 136: 8; 117.
- 10th. 8.15pm. "Cherokee" Piper aeroplane over Durban, Natal REP.SOUTH AFRICA. A manoeuvring star-shaped object that paced the aircraft and caused its magnetic compass to malfunction. Effects witnessed by 3 observers: (A); 27: 8; 117.
- 10th. 8.30pm. Adelaide, Cape Province, REP.SOUTH AFRICA. A globular light: (D); 27: 8.
- 11th. 2.00pm. Cyrildene Hills, Pretoria, Transvaal, REP.SOUTH AFRICA. A tentacled object: (C); 126.
- 11th. 2.00pm. Johannesburg, Transvaal, REP.SOUTH AFRICA. An undescribed object of unknown origins: (D); 27: 8; 136: 8.
- 11th. 7.20pm. Ath, BELGIUM. An octagonal object: (B); 60: 22.

- 11th. c.9.45pm. The Wilderness, Pretoria, Transvaal, REP.SOUTH AFRICA. A strange luminous phenomenon compared by the witnesses to a "moving rainbow": (D); 118; 136: 8.
- 11th. 10.45pm. Ath, BELGIUM. Three artificially arranged points of light: (D); 60: 22.
- 11th. 11.00pm. Durban, Natal, REP.SOUTH AFRICA. A circular object: (C); 136: 8.
- 12th. 5.30pm. Petrie, Queensland, AUSTRALIA. A large unknown light: (D); 3.
- 13th. 4.00am. Frankschoek, Cape Province, REP.SOUTH AFRICA. A globular light: (D); 27: 8.
- 13th. 6.00pm. Craighill Park, Johannesburg, Transvaal, REP.SOUTH AFRICA. A bright orange light that materialised suddenly and as abruptly dematerialised: (D); 63.
- 13th. 10.10pm. Brussels, BELGIUM. A round white light: (D); 60: 22.
- 13th. 10.10pm. Near Zeebrugge, BELGIUM. A round white light: (D); 60: 22.
- 13th. Time unnoted. Duinbergen, BELGIUM. Three spheres in formation: (B); 60: 22.
- 13th. Time unnoted. Durban, Natal, REP.SOUTH AFRICA. An unknown glowing object: (D); 63.
- 14th. 4.30pm. From a DC9 aeroplane over the border between BELGIUM and FRANCE. A sphere: (D); 158: 25-6.
- 14th. 10.30pm. Near Liege, BELGIUM. Three lights in triangular formation: (C); 60: 22.
- 15th. Early a.m. Near Colonia Helalco, Santiago del Estero, ARGENTINA. A huge train-like object: (A); 108: 29.
- 15th. c.6.40pm. Florida, near Johannesburg, Transvaal, REP.SOUTH AFRICA. A gigantic light at low altitude: (D); 119.
- 15th. c.7.10pm. Krugersdorp, Transvaal, REP.SOUTH AFRICA. A gigantic light: (D); 119.
- 15th. 11.10pm. Unlocalised area of ITALY. An unknown light exhibiting intelligent controlled movements: (D); c.
- 15th. Time unnoted. Johannesburg, Transvaal, REP.SOUTH AFRICA. An undescribed object of unknown origin: (D); 119.
- 16th. 8.30pm. Malmesbury, Cape Province, REP.SOUTH AFRICA. A globular light: (D); 27: 8.
- 16th. c.10.00pm. Near Potchefstroom, Transvaal, REP.SOUTH AFRICA. An undescribed object of unknown identity: (D); 27: 8; 88.
- 16th. Evening (Exact hour?). Welkom, Orange Free State, REP.SOUTH AFRICA. A discoidal object: (C); 27: 8.
- 16th. Evening (Exact hour?). Theunissen, Orange Free State, REP.SOUTH AFRICA. A discoidal object: (C); 27: 8.
- 16th. Evening (Exact hour?). Over the Marais Farm, near Steynsrus, Orange Free State, REP.SOUTH AFRICA. An undescribed object of unknown identity: (D); 88.
- 16th. Time unnoted. Odendaalsrus, Orange Free State, REP.SOUTH AFRICA. A round object: (D); 27: 8; 136: 8.
- 16th. Time unnoted. Kroonstad, Orange Free State, REP.SOUTH AFRICA. An undescribed object of unknown origin: (D); 27: 8; 88.
- 16th. Time unnoted. Graaf Reinet, Cape Province, REP.SOUTH AFRICA. An undescribed object of unknown origin: (D); 88.
- 16th. Time unnoted. Spandaukop, Cape Province, REP.SOUTH AFRICA. A large bright object of unidentified origin: (D); 88.
- 17th. 10.00pm. Faymonville, BELGIUM. A lenticular shaped object: (D); 60: 22-3.
- 17th. 11.15pm. Unlocalised area of ITALY. Three small spheres: (C); c.
- 17th. 11.37pm. Rome, ITALY. An undescribed object of unknown origin: (D); c.
- 17th. Time unnoted. Bloemfontein, Orange Free State, REP.SOUTH AFRICA. A globular light: (D); 27: 8.

- 29th. Time unnoted. Umtata, Natal, REP.SOUTH AFRICA. A multi-coloured "moon": (D); 27: 8; 136: 9.
- 30th. 9.08pm. Rome, ITALY. A cylindrical object: (A); o.
- 30th. Time unnoted. Durban, Natal, REP.SOUTH AFRICA. An undescribed object of unknown origin: (D); 27: 8.
- 31st. 8.20am. East Doncaster, Victoria, AUSTRALIA. A brilliant light: (D); 3.
- Date unnoted, but possibly July 5th. Time unnoted. Near the Fish River Bridge on the Port Elizabeth to East London road, Cape Province, REP.SOUTH AFRICA. An aerial object compared to a "baby's bottle": (D); 25.
- Date unnoted. Time unnoted, but daytime. Cotgrave, Nottinghamshire, ENGLAND. A low altitude discoidal object having two rear funnels or nozzles, arranged horizontally: (B); o.
- Date unnoted. Time unnoted. Lazonby, Cumbria, ENGLAND. A rugby-ball shaped object: (C); 15: 25.
- Date unnoted. Time unnoted. Sierra Morena, Cazalla, SPAIN. "Foo-fighter" type of object: (C); 110: 26.

AUGUST.

- 1st. 2.00am. Lebanon, Boone Cty, Indiana, USA. Lights arranged triangularly: (C); 6: 12.
- 2nd. Time unnoted, but evening. North of Oklahoma City, USA. Numerous egg-shaped objects: (B); 140: 151.
- 2nd. Time unnoted, but evening. Near Norman, Oklahoma, USA. An egg-shaped object: (B); 140: 1-5; 151.
- 3rd. 1.45am. Tulsa, Oklahoma, USA. A strange ball of light -- photographed: (D); 140: 1-5; 151.
- 3rd. Time unnoted. La Romana, DOMINICAN REP. A manoeuvring star-shaped object: (D); o.
- 3rd. Time unnoted. Hato, DOMINICAN REP. A manoeuvring star-shaped object: (D); o.
- 3rd. Time unnoted. Auckland, North Island, NEW ZEALAND. A cigar-shaped object: (B); 5: 14.
- 5th. 5.48am. Danville, California, USA. Two large spheres: (B); 55: 218.
- 5th. c.6.00am. Briones Regional Park, Lafayette, California, USA. Two large spheres that landed: (A); 55: 217.
- 5th. Time unnoted, but early morning. Martinez, California, USA. Two large orbs: (B); 55: 218.
- 6th. 6.45pm. From a DC-3 aeroplane over St.Niklaas-Waas, BELGIUM. A cylindrical object: (C); 46; 159: 3.
- 6th. Time unnoted. Urmston, Greater Manchester, ENGLAND. An unknown reddish-orange object: (D); 90: 8.
- 7th. 7.45am. Sydney, New South Wales, AUSTRALIA. A circular object with fins: (C); 3.
- 10th. 11.10pm. Genoa, ITALY. A brilliant object of unknown origin: (D); o.
- 10th. Time unnoted. Near Coeur d'Alene, Idaho, USA. A basket-ball shaped object that dematerialised: (D); 17: 36.
- 10th. Time unnoted. Near Gull Lake, Saskatchewan, CANADA. A basket-ball shaped object that dematerialised: (D); 17: 36.
- 10th. Time unnoted. Unlocalised, British Columbia, CANADA. A round metallic object: (D); 17: 36.
- 10th. 3.30am. Hounslow, Middlesex, ENGLAND. A brilliant object of unknown origin: (D); 5: 14.
- 11th. 10.07pm. Genoa, ITALY. A gigantic "star": (D); o.
- 11th. c.10.30pm. Portland, Oregon, USA. A round, multi-lighted object that flew round a local radio/television mast: (C); 17: 37; 102.

- 12th. c2.00am. Nr.Taize, FRANCE. Three red discs, two orange lights and seven yellow lights. Five of the yellow lights emitted beams or rays. (A); 108: 11-16; 167: 19.
- 12th. 10.11am. Los Altos, Calif., USA. 4 silvery spheres. (B) 167: 1, 3.
- 12th. 00.30am. Rockdale, N.S.W., AUSTRALIA. An undescribed object (D); 3.
- 12th. 4.40pm. Cluny, FRANCE. An oval-shaped light. (D); 108; 16-18.
- 12th. 5.45pm. Gilgandre, N.S.W, AUSTRALIA. An undescribed object which jettisoned metal-like waste that fell to ground (D); 3.
- 12th. 10.00pm. Amiata, ITALY. A double-domed discoidal object (B). o.
- 13th. Time uncertain. Yauco, PUERTO RICO. Twenty lights which emerged from an oval cloud and disappeared into another nearby oval cloud wherein they remained - photographed. (A). o.
- 15th. Time unnoted, but night. Hays, Kansas, USA. Several multi-coloured lights. (D); 17: 26
- 15th. Time uncertain. Liverpool, ENGLAND. Several red lights in loose formation. (D); 5: 14.
- 16th. c11.00pm. Stebbing, NW of St. Michael, Alaska, USA. A bright red football-shaped oval object, with a solitary window, landed, burnt local grass and left a ground circle c. 3-ft in diameter. Witnessed by 20 persons. (A) 55: 218;
134
- 16th. Time unnoted. Roosboom, Natal, S.AFRICA. An undescribed object, and weird square-headed flying entity (A); 27: 8, 11 (see entry for August 19th below).
- 17th. 2.00pm. Thirsk, N.Yorks, ENGLAND. Six pumpkin-shaped objects that possibly landed according to 2 observers. (C); 95: 3.
- 18th. 4.30am. Roosboom, Natal, S.AFRICA. An undescribed object (D) 27: 8
- 18th. 3.25pm. Nottingham, ENGLAND. A hemispherical object (B) 5: 14.
- 18th. 7.30pm. Mayville, Natal, S.AFRICA. An undescribed object (D) 27: 8
- 19th. c2.00am. NE of Colby, Kansas, USA. Object like an inverted bowl - abortively filmed by Paul Carter. (C); 17: 26
- 19th. 5.00pm. Moonie, Queensland, AUSTRALIA. Strange flashing light (D)
- 19th. 11.00pm. Mayville, Natal, S.AFRICA. An undescribed object, and a weird square-headed flying entity (A); 27: 8, 11 (see entry for Aug. 16th above)
- 19th. Midnight. Yauco, PUERTO RICO. An undescribed object (D); o.
- 20th. 5.30am. Port Alfred, Cape Province, S.AFRICA. A ring-like object (A); 27: 8.
- 20th. Time unnoted. Monte Rosario, PUERTO RICO. Sombrero-shaped object (B); o.
- 22nd. c2.20am. Market Deeping, Lincs, ENGLAND. A low, large red globe. (C); 6: 11.
- 22nd. c2.30am. Nr.Sussex, Wisconsin, USA. A very low, circular, orange object emitting a 'beeping' noise. A car's radio and lights, but not its engine, failed while the object was nearby. (A); 17: 27.
- 22nd. Time unnoted. Barrio, Arenales, Bajo de Isabella, PUERTO RICO. An oval object from which several small objects emerged prior to departing in various directions. (A); o.
- 22nd. Time unnoted. Fort Beaufort, Cape Province, S.AFRICA. A bar-shaped object (B); 27: 8.
- 22nd. Time unnoted. Fort Beaufort, Cape Province, S.AFRICA. An oval object (C); 27: 8.
- 24th. Midnight. Masone, Genoa, ITALY. An unknown oval object. (D); o.

- 24th. 4.00am. Methodist Church Hill, Arkansas City, Arkansas, USA. An object of an initial oval shape but which later changed to a triangular configuration: (B). Seen by Beth Lilley and others; three photographs taken; 17: 27.
- 25th. c.5.00am. Same locality. Several multi-coloured lights, of which some emitted light-rays: (A). Seen by eleven persons; 17: 27.
- 25th. 9.45pm. Rome, ITALY. A "controlled star" performing geometrical movements: C; o.
- c.26th. 4.00am. Arroyito, Cordoba, ARGENTINA. A very low level train-like object of considerable size. The witness, Attilio Brunelli, may have been temporarily teleported a considerable distance: (A); 71; 108: 21-29; 113: 30.
- 27th. 8.00pm. Schmödsdrift, former Bechuanaland, REP.SOUTH AFRICA. Several globular lights: (D); 27: 8.
- 27th. Night (exact hour unnoted). Highway approximately 70 miles S.of Alice Springs, Northern Territory, AUSTRALIA: (B). A mushroom shaped object that suddenly materialised and later as suddenly dematerialised that responded to car headlamp signals beamed by several drivers at that spot; 34; 35: 17.
- 28th.3.00am. Near Medanos, ARGENTINA. Eduardo Dedeu saw a object (undescribed) land nearby and a humanoid witness emerged from it before approaching and getting into the witness's car, where it spoke an unintelligible language. Dedeu was paralysed with fear and deeply shocked. 145: 13; 162: 6, 8. Classified as an (A) event.
- 28th. Time unnoted. Highway approximately 40 miles N.of Pimba, South Australia, AUSTRALIA. Several fearful observers saw a large mushroom shaped object pace their car before landing nearby: (A); 34; 35: 17.
- 28th. Time unnoted. Beshof, Orange Free State, REP.SOUTH AFRICA. A globular light: (D); 27: 8.
- 30th. Night (exact hour uncertain). Farm near Gresham, Wisconsin, USA. A very low level egg-shaped object observed by one witness, whose dog was unnatural excited, and whose eyes and ears were strangely affected for a period: (B); 165: 68.
- Date uncertain. c9.30pm. Aldeby, Norfolk, ENGLAND. A telegraph pole shaped object: (A); 70: 5.
- Date uncertain. Time unnoted. St.Peter Port, Guernsey, CHANNEL ISLANDS. A fast moving orange object of unknown identity: (D); 49.
- Date uncertain. Time unnoted. Gem, Kansas, USA. A very low level "saucer" that caused a dog to become very agitated; seen by several persons: (B); 165: 66.
- Date uncertain. Time unnoted. Unlocalised site/s in the Russell area, Kansas, USA. Many objects seen on different dates in August: (D); 129.
- Date unnoted. 2.45pm. Beg-Meil, south Finistère, FRANCE. Two non-luminous orbs performing rectilinear movements: (A); 112: 20-21.
- Date uncertain (but was early in the month). c.2.30pm. Highway 28, Gibbons to Bon Accord, Alberta, CANADA. A double-saucer at fairly low altitude: (C); o.
- Date uncertain (several consecutive). Time/s unnoted. Kera, Shikoku Island, JAPAN. A disc: (C); 162: 13.

SEPTEMBER.

- 2nd. 11.30pm. Schaerbeek, BELGIUM. A hemispherical object: (B); 155: 8-9.
- 3rd. Time unnoted. "La Romana" and Hato Mayor, DOMINICAN REPUBLIC. An oddly-moving starlike object: (D); o.
- 4th. 9.30pm. Canton, Missouri, USA. A very low altitude object (undescribed), seen by three people: (D); 35: 15.
- 4th. 11.25pm. Pinjarra, Western Australia, AUSTRALIA. A triangular object: (D); 3.
- 7th. 9.45pm. Beausejour, Manitoba, CANADA. A very low altitude "round" object that paced the car of two witnesses: (D); 35: 15.
- 7th. Midnight. Taize, FRANCE. A luminous mass of undefinable shape: (D); 108: 18-19.
- 8th. 11.45am. Trowbridge, Wiltshire, ENGLAND. A silver bell-shaped object: (D); 96.
- 8th. Time uncertain. Olympia, Washington State, USA. A round object with a "dotted" outer surface, and which made a buzzing sound: (B); 98: 56.
- 9th. 4.30am. Glasgow, SCOTLAND. A hovering spinning-top shaped object: (D); NUFON, Jan.1978, p.6.
- 10th.6.30pm. Traralgon, Victoria, AUSTRALIA. One or more white globes: (D); 3.
- 10th.9.10pm. Canton, Missouri, USA. A very low altitude undescribed object that jerked: (D); 35: 15.
- 10th. Time uncertain. Los Minas area, Santo Domingo, DOMINICAN REPUBLIC. A round top-shaped object at very low altitude: (C); o.
- 10th. Time uncertain. Bayamon, PUERTO RICO. A silver and red object of undescribed shape, watched by two witnesses: (D); o.
- 11th.00.05am. Forest Hill, Victoria, AUSTRALIA. A globular light: (D); 3.
- 11th.11.23pm. Traralgon, Victoria, AUSTRALIA. A funnel-shaped beam of light: (C); 3.
- 11th. Time unnoted. Cluny, FRANCE. A flattened pumpkin-shaped object with four windows or openings, and which emitted 4 rays of light: (A). Seen by several persons; 108: 19.
- 12th.2.45am. Gold Coast, Queensland, AUSTRALIA. An undescribed unknown object: (D); 3.
- 12th.6.50pm. Traralgon, Victoria, AUSTRALIA. An undescribed unknown object: (D); 3.
- 13th.1.00pm. Traralgon, Victoria, AUSTRALIA. Several unknown manoeuvring lights: (D); 3.
- 13th.3.00pm. Same locality. One or more globular lights performing yo-yo movements: (D); 3.
- 13th.11.15pm. Ararimu, NEW ZEALAND. A huge ball of light that vibrated a house, and caused dogs to become agitated: (C); 143: 10.
- 13th. Night (exact hour unnoted). Burlington, Colorado, USA. An undescribed object that initially paced a witness's car before landing nearby: (B); 35: 15. NB: Compare this with the case dated August 28th near Pimba, Australia.
- 13th. Time unnoted. Santo Domingo, HAITI. An undescribed strange object: (D); o.
- 13th. Time unnoted. Route near Cluny and Macon, FRANCE. A double-saucer, seen by two witnesses: (A); 108: 19-20.
- 14th. 4.00am. Palm Beach, Florida, USA. A brilliant moving light (tracked on radar), and seen by several persons: (D); 55: 218-219.
- 14th. 5.30am. Napier, North Island, NEW ZEALAND. An undescribed strange object: (D); 35: 15.
- 14th. 7.00am. Bateau Bay, New South Wales, AUSTRALIA. An arrow-shaped object: (C); 3.

14th* 7.10am. Taree, 200 miles N. of Sydney, New South Wales, AUSTRALIA. A sphere seen by approximately 200 people: (D); 148; 149.

* And on several unspecified dates preceeding this one (loc.cit.).

14th. 8.30pm to 1.00am on 15th. Croes Penmaen, Crumlin, Glamorganshire, WALES. An object variously described as dish-shaped or cone-shaped: (D); 104; 3.

15th. 9.00pm. Yauco, "PUERTO RICO. Two cylindrical objects: (C); c.

16th. 7.30pm. Rome, ITALY. A controlled "star-like" object: (D); o.

17th. 4.00pm. Santo Domingo, HAITI. A domed object. Local dogs were agitated: (C); o.

17th. 4.00pm. Unlocalised site, DOMINICAN REPUBLIC. A domed object: (C); o.

c.17th. Night (exact hour unnoted). Richardson, Texas, USA. A very low altitude undescribed luminous object that paced the witness's car: (D); 35; 15.

18th. 4.00am. Unlocality site, DOMINICAN REPUBLIC. An undescribed strange object: (D); o.

19th. 10.10pm. Broadmeadows North, Melbourne, Victoria, AUSTRALIA. A luminous object of unknown origin, and several sky flashes: (C); 3; 35; 15, 18.

22nd. 9.00am. Near Palenque, DOMINICAN REPUBLIC. A football shaped object that Virgilio Gomez saw land nearby and disgorge 3 entities: (A); o.

22nd. c.9.00am. Highway near San Cristobal, DOMINICAN REPUBLIC. An oval object landed and two tall "men-like" beings were glimpsed near it, by a lone eyewitness: (A); 80; 135; 11.

22nd. 11.00am. Okinawa, Ryukyu Islands, JAPAN. An undescribed strange object: (D); 35; 15.

22nd. 11.30am. Same locality. An unusual globe-like object: (C); 35; 15; 38. Photographs were taken of this object.

22nd. Time unnoted. Altigracia, DOMINICAN REPUBLIC. An egg-shaped object landed and two strange beings emerged that stole a nearby goat: (A); o.

23rd. 10.15pm. North of Dundas, near Woodstock, Ontario, CANADA. Two witnesses saw a large object not otherwise described, at very low altitude: (D); 35; 15, 18.

25th. 10.00pm. Rome, ITALY. A controlled "star-like" object: (D); o.

26th. 9.30pm. Merlin, Oregon, USA. A luminous undefined object: (D); 32; 169.

26th. 10.30pm. Skye, Victoria, AUSTRALIA. Three globular lights: (D); 2.

27th. 11.30pm. Ika-Renault factory, Santa Isabel, ARGENTINA. A fluorescent but otherwise undefined object within which a humanoid was glimpsed: (A). The sole witness, Snr. Moreno, may have been temporarily abducted (the case is still under investigation); 146; 42.

29th. Daytime (exact hour unnoted). Hanoi, NORTH VIETNAM. A very high altitude sphere, fired upon by army missiles to no apparent effect: (C); 35; 15; 168; 170.

30th. 1.30am. Naco Social Club, DOMINICAN REPUBLIC. An undescribed strange object seen by several persons: (D); o.

30th. 1.30am. Unlocalised cement factory, DOMINICAN REPUBLIC. A similar object: (D); o.

30th. Time uncertain. Moca, DOMINICAN REPUBLIC. A similar object: (D); o.

30th. Time uncertain. "La Romana", DOMINICAN REPUBLIC. A similar object: (D); o.

Date uncertain. c.8.30pm. Hampstead, Birmingham, Warwickshire, ENGLAND. A domed dish-like object, seen by two fearful observers: (A); 22; 5.

- Date unnoted. c.9.00pm. Banbury-Bicester road, Oxfordshire, ENGLAND. A double-saucer shaped object, observed by D.Watson: (C); o.
- Date unnoted. Time uncertain. Roseburg, Oregon, USA. Two strange but undescribed objects: (D); 128; 169.
- Date unnoted. Time uncertain. Sutherlin, Oregon, USA. Two strange but undescribed objects: (D); 128; 169.
- Date uncertain. Time uncertain. Greytown, Natal, REP.SOUTH AFRICA. A cigar-like object surrounded by "mist": (B); 28.
- Date uncertain. Time unnoted. Road through the Sierra Morena between Cazalla and Guadalcanal, SPAIN. "Foc-fighter" type of light: (D); 11C: 26.

OCTOBER.

- 1st. Time unnoted. Adjuntas, PUERTO RICO. A low altitude light that "jumped" from hill to hill, according to the sole witness, Lt.Rentas. The object also abruptly dematerialised: (C); o.
- 2nd. 1.45pm. Vasse, West Australia, AUSTRALIA. A globular light: (D); 3.
- 2nd. 2.30pm. Busselton, West Australia, AUSTRALIA. A globular light: (D); 3.
- 3rd. 3.40am. Boston, Lincolnshire, ENGLAND. A cigar-like object: (C); 2.
- 3rd. 5.30am. Same locality. A cigar-like object: (C); 2.
- 4th. 1.00am. Hatc Mayor, DOMINICAN REPUBLIC. Five luminous but otherwise undescribed objects, observed by many persons: (C); o.
- 4th. 3.15pm. Buenos Aires, ARGENTINA. Several green coloured "men", each about 7½ feet tall seen on the ground by Snr.Coccioli. No ufo was noticed: (B); 162: 6.
- 4th. Time unnoted. Jardinas de Caribbean, nr.Ponce Cement Mills, PUERTO RICO. A luminous but otherwise undescribed object, seen by N.Irizarri: (D); o.
- NB: Although accorded only a (D) rating compare this case with the essentially similar event dated 30.9.1972 in the Dominican Republic, and with the later Rexville case of Oct. 14th., when cement blocks were stolen by ufo occupants.
- 4th. Time unnoted. Unlocalised wood, Puerto RICO. G.Maldonado saw two greenish-brown entities get out of a landed "saucer" and walk into a nearby system of tunnels connected with a mine: (B); o.
- 5th. Time unnoted. Colwood, British Columbia, CANADA. A sphere, which dematerialised after landing, left scorched areas on the ground where it had rested: (B); o.
- 6th. 10.15pm. Vicente Noble, DOMINICAN REPUBLIC. An egg-shaped object landed, and was seen by D.Pena and other witnesses: (B); o.
- 6th. c.10.15pm. Vicente Noble, DOMINICAN REPUBLIC. Three unknown strange objects were seen in the sky over this town by many residents: (D); o.
- 7th. 10.15pm. Same locality. Three unknown strange objects were seen in the sky by numerous residents, exactly as on the preceding day: (D); o.
- 7th. 11.00pm. Jardinas de San Francisco, PUERTO RICO. An oval object was seen by several people: (B); o.
- 7th. Time unnoted. Adjuntas, PUERTO RICO. A low altitude light that "jumped" from hill to hill according to the sole witness, Lt.Rentas, abruptly dematerialised: (C); o.
- 8th. Night (exact hour unnoted). Cairo Mill, Oldham, Lancashire, ENGLAND. Mr John Byrne saw a domed object making a humming noise; the mill cat fled in terror and was not seen for 3 days: (A); Manchester Evening News, 16.10.1974.
- 9th. Time unnoted. Yauco, PUERTO RICO. A luminous object was photographed: (D); o.

- 10th. Time unnoted. Route 146 near Dos Bocas Lake, Utiado, PUERTO RICO. M.Kieber watched an object of unknown origin (undescribed) in the sky from his car: (D); o.
- 11th. Time unnoted. Bönsträck, near (N.of) Overkalix, SWEDEN. A delta-shaped object was seen by Halvard Persson and others, all of whom saw a small entity within it: (A); 39: iii; 114: 27.
- 12th. 9.00pm. Three discs were seen in the sky from the following places - Luisa Cruz, Adjuntas, Bayamon, Lomas Verdes, Eusa Alvarado, and Livia Maldonada (all in PUERTO RICO): (C); o.
- 12th. Night (exact hour uncertain). Independance Park, Santo Domingo, DOMINICAN REPUBLIC. Hundreds of people watched a manoeuvring luminous point in the sky, before it suddenly dematerialised: (C); o.
- 13th. Time unnoted. Aguadilla hospital, PUERTO RICO. A cigar-shaped object with a central upper dome was observed by Rosa de Castro: (B); o.
- 13th. Time unnoted. Los Pichachas Peak, Jayuya, PUERTO RICO. A fish-shaped object was seen by R.R.Ongay in the sky: (D); o.
- 13th. Time unnoted. Hormigueros, PUERTO RICO. Four undescribed but "strange" objects were reported in the sky by several percipients: (D); o.
- 14th. 4.00am. Rexville, Bayamon, PUERTO RICO. A.Martinez saw an oval object land and several entities emerge to collect and take away some concrete blocks from a building site: (A); o.
- 14th. c.4.00pm. East Finchley, London, ENGLAND. Twenty people watched a "wobbly circle" in the sky which eventually dematerialised: (C); 9.
- 14th. 6.50pm. Unlocalised area, DOMINICAN REPUBLIC. Fifteen people saw a moving "star-shaped" object abruptly dematerialise in flight: (D); o.
- 14th. Time unnoted. Jardinas Metropolitanos, Rio Piedras, PUERTO RICO. A "strange" object was seen in the sky: (D); o.
- 17th. c.7.0pm. El Fundo, near Bani, S.of Santo Domingo, DOMINICAN REPUBLIC. Several persons watched a strange luminous object land nearby: (C); 79; 80; 135: 10-11. No other details available.
- 17th. 7.45pm. Bani, S.of Santo Domingo, DOMINICAN REPUBLIC. N.M.Pena and two other witnesses watched a domed object land nearby, while simultaneously there was a local power failure: (A); o.
- 17th. Time uncertain. Coamo, PUERTO RICO. A huge glowing ball with what appeared to be portholes passed over this town: (C); o.
- 18th. Time uncertain. Adjuntas, PUERTO RICO. A Throbbing light passed over this town and caused a local power failure: (C); o.
- 18th. Time uncertain. Barrio Tanama. A throbbing light passed over this town just as there was a local power failure: (C); o.
- 19th. c.4.30am. Aldergrove, Langley, British Columbia, CANADA. A very low altitude brilliant light, making a loud noise which upset local animals, was seen in the sky by Mr and Mrs Kocsis: (B); 17: 36-37; 69.
- 19th. Midnight. Yauco, PUERTO RICO. A weird, undescribed, object emitting a jet-like noise was seen by many inhabitants of this area: (D); o.
- 19th. Time unnoted. Monte Rosario, PUERTO RICO. Several persons saw a sombrero-shaped object land nearby: (C); o. This case is still under investigation.
- 20th. 4.10am. E.of Chili Corner, near Marshfield, Wisconsin, USA. An unknown object was seen in the sky: (D); 89; 171: 14-15.
- 20th. 6.45pm. Wallington, Surrey, ENGLAND. Six discs were seen in the sky arranged in a hexagonal pattern: (A); 9.
- 21st. c.2.00am. Near Lewisham, Hobart, TASMANIA. An undescribed object was seen in the sky over this locality: (D); Saturday Evening Mercury

(Tasmania), 26.7.1975.

- 21st. 7.10pm. Pretoria, Transvaal, REP.SOUTH AFRICA. An unknown sky object seen by M.A.Raubenheimer: (D); 27: 8; 48: 16-17.
- 21st. Time unnoted. Barrio Almaceio, Yauco, PUERTO RICO. Four spheres or "eggs" each $\frac{1}{2}$ size of Moon observed by several persons: (A); o.
- c.21st. Time unnoted. Oldham, Lancashire, ENGLAND. A discoidal object emitting a humming sound: (C); 39: 28; 175.
- 22nd. 1.00pm. Kew, Victoria, AUSTRALIA. A globular light: (D); 3.
- 22nd. Time unnoted. Barrio Arenales Bajo, Isabella, PUERTO RICO. An oval object which released smaller objects before dematerialising: (B); o.
- 23rd. 1.50am. Pretoria, Transvaal, REP.SOUTH AFRICA. A globular light: (D); 27: 8; 48: 17.
- 23rd. 12.35pm. By canyon rim entering Balbo Park and Zoo, near San Diego, California, USA. A round or oval object photographed by Thomas N.Tucker. The object was invisible to the unaided eye, but appeared on a film upon developing same: (D); c. A high-pitched sound was audible at about the time the film was taken.
- 25th. 4.00am. Empageni, Natal, REP.SOUTH AFRICA. A multicoloured object of unknown origin: (D); 136: 9.
- 25th. Time unnoted. Ponce, PUERTO RICO. A strange but otherwise undescribed sky object observed by several individuals: (D); o.
- 26th. c.2.00am. Unlocalised area, DOMINICAN REPUBLIC. A circular object: (D); o.
- 26th. 4.30am. Fraser Highway at Aldergrove, Saskatchewan, CANADA. A globular light: (D); o.
- 27th. 2.00pm. San Sebastian, PUERTO RICO. A very low altitude disc that appeared to descend into the sea off this locality, according to O.Hernandez who photographed the object while it was still in flight: (C); o.
- 27th. 7.30pm. Redding, California, USA. Several "luminous clouds" seen by several local inhabitants: (D); o.
- 27th. Time unnoted. Arecibo, PUERTO RICO. A discoidal object: (C); o.
- 30th. 6.45pm. Unlocalised area, ITALY. A domed disc which changed to (i) a ball of light, and then (ii) eight small discs or globes arranged in a circular formation: (A); o.
- 30th. Time unnoted. Rio Piedras, PUERTO RICO. A discoidal object: (C); o.
- 31st. Time uncertain. Eumungerib, New South Wales, AUSTRALIA. An unknown falling object which was apparently solid; no trace subsequently found of it: (D); 3.
- Date uncertain. Time unnoted. Haslington, Cheshire, ENGLAND. A shimmering mass in the sky, observed by two percipients: (D); 95: 4.
- Date uncertain. Time unnoted. Heytesbury, Wiltshire, ENGLAND. An oval object that caused a car radio to fail before it dematerialised before the gaze of three witnesses: (C); 43: 20.

OCTOBER or NOVEMBER.

- Date uncertain. Time unnoted. Birmingham, West Midlands, ENGLAND. A globular light watched by 3 percipients: (D); 95: 4.
- Date uncertain. Time unnoted. Randlett, c.60 miles S. of Ouray, Utah, USA. A very low altitude discoidal object seen by Frank Myore and one other witness: (D); 130: 94.

NOVEMBER.

- 1st. Time unnoted. S. of Fort Duchesne, Utah, USA. A bouncing light: (D); 130: 95.

- 2nd. 4.20pm. Fish hatchery, Doucier, near Ménétrux-en-Joux, Jura, FRANCE. A very low altitude large domed disc, watched by a fearful M. Vuillien: (A); 42: 28-29; 74; 107: 14-18 and rear cover; 115: 24.
- 2nd. 8.00pm. Puerto Plata, on N. coast of DOMINICAN REPUBLIC. A diffuse object: (D); o.
- 2nd. 9.15pm. Santo Domingo, DOMINICAN REPUBLIC. An oval object: (D); o.
- 2nd. 10.00pm. Puerto Plata, on N. coast of DOMINICAN REPUBLIC. A moon-like object of identical size to Luna, that abruptly vanished: (C); o.
- 2nd. Time unnoted. Barrio Obrero, Santurce, and Trujillo, DOMINICAN REPUBLIC. A round object that suddenly dematerialised was seen from these three localities by many persons: (C); o.
- 3rd. 11.45pm. Clayfield, Queensland, AUSTRALIA. Two unknown objects, otherwise undescribed: (D); 3.
- 3rd. Time unnoted. Villa Navarra, DOMINICAN REPUBLIC. A very low level round object that caused buildings to vibrate excessively as it passed overhead: (D); o. One of the several witnesses claims to have suffered temporary paralysis while this object was nearby, although this is not fully substantiated, hence a D rating.
- 4th. 7.45pm. Rossendale, Lancashire, ENGLAND. A glowing red and green object: (D); 7: 6.
- 8th. Time uncertain. Paya, Bani, DOMINICAN REPUBLIC. A unknown manoeuvring object otherwise undescribed; its appearance caused local inhabitants to panic: (D); r.
- 9th. Time unnoted. Near "La Romana", DOMINICAN REPUBLIC. A circular object that caused electromagnetic effects in a car: (B); o.
- 10th. Daytime (exact hour unnoted). Grammar school, Ludlow, Shropshire, ENGLAND. Two manoeuvring discs, seen by A. Ibbotson and others: (C); 138.
- 10th. Time unnoted. Near Redditch, Worcestershire, ENGLAND. Three manoeuvring globular lights, seen by several percipients: (D); 7: 6.
- 10th. Time unnoted. Rosmead, Cape Province, REP. SOUTH AFRICA. A globular light: (D); 27: 8.
- 12th. 11.00am. Kangaroo Point, Queensland, AUSTRALIA. Several coloured lights of unknown origin: (D); 3.
- 12th. 8.00pm. Rosmead, Cape Province, REP. SOUTH AFRICA. An oddly manoeuvring globular light: (A); 27: 8; 33; 40; 48: 17-19.
- 12th. 9.30pm. Rosemead school, Middelburg, Transvaal, REP. SOUTH AFRICA. J. du Plessis and many co-witnesses saw an object of changeable shape apparently land near this school. Examination of the site later revealed a central ground mark around one half of which were four evenly disposed circular marks of smaller size: (A); 21; 22; 24; 48: 17; 137.
- 12th. Time unnoted. Beoley, near Redditch, Worcestershire, ENGLAND. Three lights that kept changing colour and position relative to each other; watched by Rita Tallis and others: (C); 171.
- 14th. Evening (exact hour uncertain). Tong, near Shifnal, Shropshire, ENGLAND. Several pulsating green lights: (D); 7: 6.
- 16th. c.7.00am. Near Pattiswick on the Colchester-Braintree Rd.), Essex, ENGLAND. A fairly low altitude object of unknown identity: (D); 37.
- 17th. 3.00am. Ashgrove, Queensland, AUSTRALIA. A strange light that trailed a smoke-like substance behind it: (D); 3.
- 17th. 8.00pm. Middelburg, Cape Province, REP. SOUTH AFRICA. A globular light that landed, and then dematerialised; 2 entities each c.1 metre tall were seen by A. Pretorius: (A); 27: 8; 33; 48: 19-20.

- 17th. 12.20pm. Warnambool, Victoria, AUSTRALIA. Three unknown lights trailing luminous vapour: (C); 3.
- 18th. Night-time (exact hour unnoted). Near Dole, Jura, FRANCE. A luminous elongated oval mass which manoeuvred: (D); 107: 19-20; 116.
- 19th. Time uncertain. Graaf Reinet, Cape Province, REP.SOUTH AFRICA. A domed object: (C); 27: 23.
- 21st. 8.00am. Cape Town, Cape Province, REP.SOUTH AFRICA. A flashing blue light that hissed: (D); 137.
- 21st. 9.30am. Salisbury, RHODESIA. A sphere of unknown origin: (D); 27: 23.
- 21st. 10.15am. Same locality. A sphere of unknown origin: (D); 27: 23.
- 22nd. Time unnoted. Brugge, BELGIUM. An undescribed but "strange" object: (D); 156: 10.
- 24th. 7.20am. Road adjacent to the A404 near Princes Risborough, then on M40 towards Beaconsfield, Buckinghamshire, ENGLAND. A double-saucer: (C); o.
- 25th. 5.30pm. Dianella, Western Australia, AUSTRALIA. A strange multi-coloured light: (D); 3.
- 26th. 8.00am. Over and near highway N. of Buck Mountain, in the Leduc area, near Buck Creek, Alberta, CANADA. A cigar-shaped object that dematerialised: (B); o.
- 26th. 5.50pm. Alberton, Transvaal, REP.SOUTH AFRICA. A circular object: (D); 27: 23.
- 26th. Afternoon (exact hour unnoted). St. Martin's, Guernsey, CHANNEL ISLANDS. A fast moving cigar-shaped object: (B); 51.
- 26th. 8.15pm. Middelburg, Cape Province, REP.SOUTH AFRICA. A circular object: (D); 27: 23.
- 26th. 8.45pm. Castel, Guernsey, CHANNEL ISLANDS. An arrow-shaped body: (E); 27: 23.
- 26th. 10.15pm. Middelburg, Cape Province, REP.SOUTH AFRICA. A circular object: (D); 27: 23.
- 26th. 11.00pm. Williamstown, Victoria, AUSTRALIA. Two white lights that bobbed up and down: (D); 3.
- 26th. Evening (exact hour unnoted). L'Ancrese, Guernsey, CHANNEL ISLANDS. A yellow triangular object: (A); 51; Guernsey Evening Post, 29.11.1972.

NB: The entries in ref. 27, p.23 for South African ufos on Nov.26th. over Guernsey (Natal) and Lancrese (Natal) are erroneous, and a confusion with the Channel island cases from those sites in Guernsey on this date.

- 28th. 10.00pm. Guernsey, CHANNEL ISLANDS. Three bright lights each circled by smaller lights: (B); 50.
- 30th. 5.00pm. Vazon, Guernsey, CHANNEL ISLANDS. A missile-like fast-moving object: (C); Guernsey Evening Post, 4.12.1972.
- Date uncertain. 8.00pm. Lichfield-Aston road, near Birmingham, West Midlands, ENGLAND. A sphere of unknown origin: (D); o.
- Date uncertain. 4.30pm. Rudheath, Northwich, Cheshire, ENGLAND. A zigzagging globular light: (C); o.
- Date uncertain (but late in month): 11.00pm. Same locality. A white circular object; two witnesses: (D); o.
- Date uncertain. c.6.05pm. Interstate 505, near Cache Creek bridge, between Zama and Bodega Bay, California, USA. Judy Kendall

encountered a very strange object and several humanoid entities who, she claims, abducted her and gave her a medical examination before returning her to her car: (A); 18: 12-15; 150.

NB: There is some uncertainty as to whether this event occurred in 1971 or 1972. If in the former year, possible dates were November 7th., 14th., 21st., or 28th.; if in the latter year, possible dates were November 6th., 13th., 20th., or 27th.

Dates * unnoted. Times unnoted. Unlocalised regions of RHODESIA. Spherical objects observed by several witnesses: (D); 84.

* Four different unspecified dates.

DECEMBER.

- 2nd. 4.45pm. Santa Barbara, California, USA. Leon Bonotaux saw an object in the sky resembling a "hot-dog": (D); 161.
- 7th. c.7.00pm. How-hill, Wolverhampton, Staffordshire, ENGLAND. A moving light which stopped dead several times while under observation by two witnesses: (C); o.
- 7th. 7.25pm. Wolverhampton, Staffordshire, ENGLAND. A large circular object: (D); c.
- 9th. 2.00pm. Ivanhoe, Victoria, AUSTRALIA. A curious red light in the sky: (D); 3.
- 9th. 6.20pm. East Cliff Sands, Folkestone, Kent, ENGLAND. A unknown circular object seen by I.Phillips: (D); o.
- 9th. Time uncertain. L'Islet, Guernsey, CHANNEL ISLANDS. A triangular object seen by two persons: (C); 52.
- 11th. 9.00pm. Port Elizabeth, New Jersey, USA. A very low altitude sphere. Later examination of the site showed that vegetation had been removed and that the ground bore curious markings: (A); 162: 46.
- 11th. 11.00pm. S. of Hosteria Testigos, near Rio Huaco, San Juan province, ARGENTINA. A luminous inverted triangular object: (B); 146: 3-4.
- 11th. 11.30pm. S.of Rio Huaco near A.Jachal, San Juan province, ARGENTINA. A luminous ball: (B); 146: 4-6.
- 11th. Time unnoted. Near Knoxville, Tennessee, USA. A unknown circular object: (C); 1.
- 11th. Time not recorded. N.of Maraldi crater on Luna. Several flashing objects seen by Harry Schmidt from the Apollo 17 Lunar Module: (A); 142: 2.
- 12th. 4.55am. S.of Rio Huaco, between A.Jachal and Hosteria Testigos, San Juan province, ARGENTINA. Four luminous spheres: (E); 146: 6-7.
- 12th. 5.00am. Near Rio Huaco by Hosteria Testigos, San Juan province, ARGENTINA. Three luminous spheres: (B); 146: 7-8.
- 12th. 5.00am. Locality near Tamberias, Calingasta, San Juan province, ARGENTINA. A white sphere: (C); 146: 9; 30.
- 12th. 5.00am. Near Rivadavia, San Juan province, ARGENTINA. A brilliant light: (C); 146: 9; 159.
- 12th. 5.00am. Near Marquesado, San Juan province, ARGENTINA. A brilliant light: (C); 146: 9; 159.
- 12th. 5.00am. Trinidad, San Juan province, ARGENTINA. A Moon-sized light: (C); 146: 10; 159.
- 12th. 5.00am. Locality near Rodeo, Iglesia, San Juan Province, ARGENTINA. A white sphere: (C); 146: 9; 30.
- 12th. 5.03am. N.of the area separating Hosteria Testigos and El Morado, San Juan province, ARGENTINA. A luminous sphere: (C); 29; 146: 8-9.

- 12th. 7.00am. Approximately $\frac{3}{4}$ mile W. of Wymondham, Leicestershire, ENGLAND. An object shaped like two globes fused together: (B); o.
- 12th. late in the morning (exact hour unnoted). Metter, Georgia, USA. Two persons saw a hat-shaped object land nearby, and a photograph of it was secured: (A); 38: 32.
- 12th. 9.30pm. Near Pollanco, Maipo, near the San José volcano, CHILE. A luminous ball: (C); 146: 10.
- 12th. Time not recorded. Taurus-Littrow region of Luna. Several flashing objects watched by Harry Schmidt from the Apollo 17 Luna Module: (A); 142: 2.
- 13th. 4.53am. La Serena, CHILE. A brilliant light of unknown origin: (D); 146: 10-11.
- 13th. 3.30pm. Burwood, Victoria, AUSTRALIA. A large elliptical object: (D); 3.
- 15th. 6.15pm. Basildon, Essex, ENGLAND. Three dart-shaped objects which suddenly dematerialised: (A); 9.
- 18th. 7.25am. Swindon, Wiltshire, ENGLAND. A strange object resembling a small sphere fused to a larger sphere: (C); o.
- 19th. Evening (exact hour unnoted). A glowing ball that landed at Stoke-on-Trent, Staffordshire, ENGLAND. A cat was much upset by the incident, and later examination of the site revealed a triangular burnt area, and a depression in a lawn: (A); 10; 11.
- 19th. Evening (exact hour unnoted). Salisbury, RHODESIA. A globular light: (D); 27: 23.
- 26th. Evening (exact hour unnoted). St. Peter Port, Guernsey, CHANNEL ISLANDS. A red crescent lying on its back: (C); 53.
- 27th. 10.20pm. Somerset West, Cape Province, REP. SOUTH AFRICA. An oval object: (D); 137.
- 28th. 11.00pm. Boeing 727 flying between Punta Arenas and Santiago, CHILE. Several manoeuvring lights, watched by several witnesses: (C); 110: 3-7.
- 29th. Time unnoted. From a Lockheed L-1011 on flight 401 to Miami, Florida, USA. A plate-shaped object (also tracked on radar), watched by many individuals: (B); 47: 18.
- 30th. 10.20pm. Tres Arroyos, ARGENTINA. A very low altitude domed disc, with two occupants visible within it, watched by Ventura Maceiras. After a relatively short period following this sighting, the witness underwent strange physical changes and acquired remarkable knowledge on a wide variety of erudite themes: (A); 73; 109: 22-26; 144: 13; 162: 8.
- c. 31st. 11.30pm. Ararimu, NEW ZEALAND. A cigar-shaped object: (C); 143: 10-11.
- Date uncertain. Time unnoted. Near Forest City, Jutherford County, Cape Province, REP. SOUTH AFRICA. A strange but otherwise undescribed object: (D); 16; 152. A photograph was taken.
- Date uncertain. Time unnoted. Uitenhage, Cape Province, REP. SOUTH AFRICA. No object was observed, but early one morning footprints and a circle on a lawn were discovered, and during the preceding night local dogs had been agitated: (A); 143; 137.
- Date uncertain. 1.30pm. Catterick, North Yorkshire, ENGLAND. A red dart-shaped object which abruptly dematerialised was seen by two recipients: (B); 93: 5.
- Date uncertain. 8.00pm. Cinderford, Gloucestershire, ENGLAND. Two diffuse lights of unidentified origin: (D); o.

- Date uncertain. Time unnoted. Trelleborg, SWEDEN. A domed oval-shaped object, photographed by Joakim Perssons: (C); 99: 37.
- Date uncertain. Time unnoted. Road through the Sierra Morena between Cazalla and Guadalcanal, SPAIN. A "foo-fighter" type of light: (D); 110: 26.
- Dates uncertain (several). Times unnoted. Unknown aerial objects seen over several unspecified locality, RHODESIA: (D); 84.

MONTHS UNNOTED.

- Time unnoted. Green Bay, Wisconsin, USA. An undescribed alien object: (D); 171: 15.
- Time unnoted. Madison, Wisconsin, USA. An undescribed alien object: (D); ibid.
- Time unnoted. Milwaukee, Wisconsin, USA. An undescribed alien object: (D); ib.
- Time unnoted. Mile 5 on the Alaska Highway, 8 miles from Kilkerran, British Columbia, CANADA. A manoeuvring red light: (D); Canadian UFO Report, 2 (6), 1973, 14.
- 9.50pm. Miller and Harwood homesteads, 8 miles N. of Dawson Creek, British Columbia, CANADA. A manoeuvring red light that apparently landed, as inspection of the site the next day revealed local snow melted in a circular area: (B); ibid.
- Time unnoted. Hudson Hope dam, Peace River area, British Columbia, CANADA. An undescribed alien object: (D); loc.cit., 15.
- c.Noon. Bradwell, near Great Yarmouth, Norfolk, ENGLAND. A grey coloured object composed of cylinders arranged like the letter 'H': (C); Lantern, 12, 1975, 10.
- 8.00pm. Wednesfield, West Midlands, ENGLAND. An elliptical object: (D); 15: 25.
- Time unnoted. Crawley, Sussex, ENGLAND. A domed disc with portholes: (A); o.
- Time unnoted. St Ignace, California, USA. An undescribed strange aerial object: (D); Oakland (Calif.) Press, 29.11.1973.
- Time unnoted. Boston, Lincolnshire, ENGLAND. An undescribed strange flying object: (D); o.
- Time unnoted. River near Boston, Lincolnshire, ENGLAND. A cylindrical object with a dome emerged from the river and flew off into the sky, according to two witnesses: (B); o.
- Time unnoted. Aldeby, Norfolk, ENGLAND. A telegraph-pole like object: (B); 70.
- Summer (date unnoted). c.3.00pm. Between Bognor and Littlehampton, Sussex, ENGLAND. A windowed cylinder, with a central upper and central lower dome, watched by five individuals: (A); National UFO Research news-sheet, 1972.
- Summer (date uncertain). Time unnoted. Palm Beach international airport, Florida, USA. An undescribed object tracked on airport radar: (D); 164: 54.
- Before July. Time unnoted. National highway 3, between Medanos and Bahia Blanca, Bahia Blanca State, ARGENTINA. An alien object, otherwise undescribed, that landed and induced temporary paralysis in Fernando De Deugd and others: (A); La Razon (Argentina), 29.8.1972.
- Autumn (date uncertain). c.9.40pm. Kilkerran, near the Bennett dam, British Columbia, CANADA. A manoeuvring red light: (D); Canadian UFO Report, 2 (6), 1973, p.14.
- Before November 6th. (exact date unknown). 8.30pm to 11.30pm. Leeds, Yorkshire, ENGLAND. A lighted object resembling a frying-pan: (C); o. Six percipients.

Possibly in November. 6.00pm. Welton, Lincolnshire, ENGLAND. A very low altitude sphere watched by Isabel Rosser, who claimed that the object made a "horrible sound" on a house roof: (C); c.

Late (exact date unknown). Anderstown, Belfast, NORTHERN IRELAND. One evening a ball of light materialised inside the house of a Mrs Hamilton, who then became aware of the presence of several "perfect humans" of both sexes in the room she was occupying; the witness claims that she was temporarily abducted: (A); NUFON, 23, 1976, 4.

Late (exact date unknown). Road towards Rocky Gully, near Murray Bridge, Australia South, AUSTRALIA, in a paddock approximately 40 feet from road. A flattened diamond-shaped object on the ground. The witness's car engine and lights failed and his car radio began to produce strange noises: (A); ll: 7-8. Ground marks in the paddock were found next day.

After the intense worldwide ufo activity heavily reported between 1965 and 1968, and the publication late in 1968 of the unpromising findings of the Condon Committee, interest in the ufo phenomenon dramatically diminished at almost all levels with the result that numerous former study-groups collapsed or were disbanded and channels for publishing ufo cases grew noticeably fewer. Compared with that of the preceding three years, the volume of recorded ufo activity during 1969, 1970 and 1971 was markedly low and, with one or two noteworthy exceptions, generally of no immediate interest (1). How much of this, however, was directly attributable to an actual drop in real activity and how much of it reflected disillusionment among ufologists, or the diminished number of still functional study groups retaining a capacity to monitor ufo activity, may never be known. It is, however, a sad fact that a very high percentage of ufo cases reported for 1972 --- the year following the "dull" period just mentioned --- are generally poorly documented and lack numerous critical details. This has meant that an overall evaluation of them has been unusually difficult to achieve on a consistent basis, whereby summaries or eyewitness types, ufo performance characteristics and behavioural trends are really so imperfectly recorded that little point is served by printing such incomplete data here. Accordingly, no attempt has been made here to go beyond the afore-presented "narrative" summary, and the following graph of 1972 ufo activity. The latter is compared with the equivalent graphs for 1970 and 1971.

What, if anything, did 1972 reveal by way of preparation for the worldwide ufo explosion of 1973? Although certain episodes in the 1972 ufo record have already been accorded considerable attention --- in particular, the South African "wave" of October (2) --- many ufo reports for 1972 have been unusually slow in arriving from the more distant parts of the world, so that it is by no means certain that even a majority of them have been gathered-in. The above-mentioned graph should therefore be regarded as provisional.

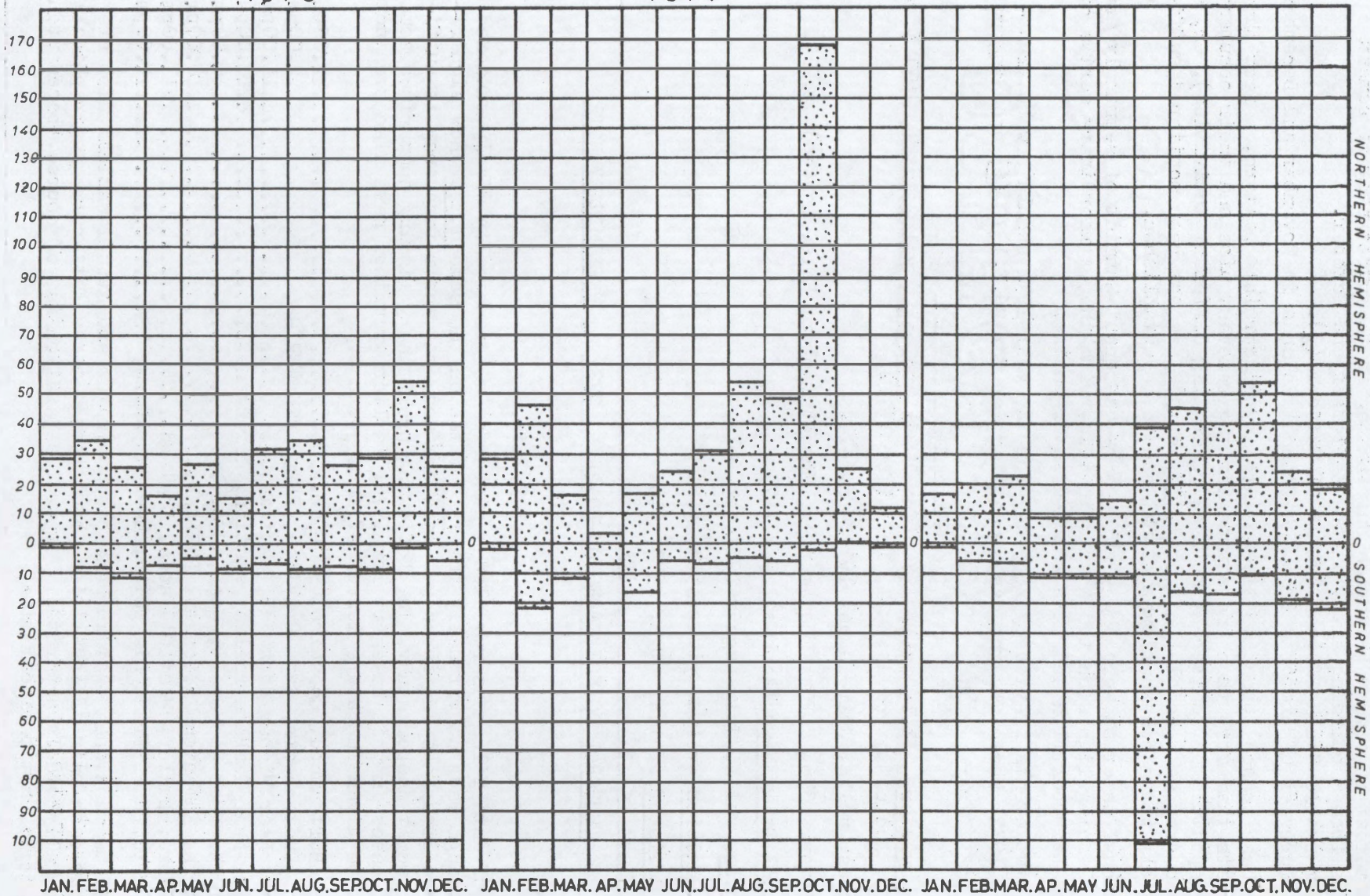
Of the ufo activity phases that deserve special mention, the following should be noted:-

- i) many reports between February and May near Hayes and around Dighton, Kansas, USA (3).
- ii) The steady series of ufo events over Puerto Rico and the Dominican Republic from mid-June onwards.
- iii) The large number of sightings centred around Russell, Kansas, USA, in the August of 1972 (4).

1970

1971

1972



- iv) An interest in cement factories culminating in the purloining of cement blocks from a building site, during September and October.
- v) The remarkable South African "wave" of October (5).
- vi) The flurry of ufo reports from the Channel Islands in November and December.

None of these phases appear to tie-up into any discernible pattern, a fact that may indicate that more than one source for the relevant ufos and their occupants should be postulated (different motives generating different activities), or, as would seem just as feasible, ufo activity in 1972 has not been monitored sufficiently well for a coherent overall pattern to be established.

Of additional interest were the sightings by astronaut Schmidt of seemingly artificial flashing lights on the Moon coinciding with the extraordinary series of events on December 11th and 12th enacted in Argentina.

Finally, two events previously recorded for the year 1971 should now be transferred to 1972. These are the cases near Dargies for 26.3.1972 (6) and Songeon for 28.3.1972 (7).

R e f e r e n c e s

- (1) UFO Register, vol.1, pt.1, 1970 (for 1969); loc.cit., vol.2, pt.1, 1971 (for 1970); loc.cit., vol.4, pt.1, 1973 (for 1971).
- (2) Clypeus, vol.4, July-August 1977, pp.6-11.
- (3) M.Hervey. 1976. "UFOs: The American Scene" (Robert Hale, London), p.217.
- (4) Russell Daily News (Kansas), 3.2.1973.
- (5) Clypeus, vol.4, July-August 1977, pp.6-11.
- (6) UFO Register, vol.4, pt.1, 1973, p.8.
- (7) UFO Register, vol.4, pt.1, 1973, p.9.

TEMPORAL COINCIDENCES OR BINARY CASES? A PRELIMINARY NOTE

by

J.B.Delair.

Perusal of data files has revealed a number of geographically widely sundered ufo sightings made at virtually the same times on the same dates. How significant these groupings are is as yet undetermined, but their frequency is sufficient to merit deeper study. The following preliminary listing summarises some pairs of cases in this category for 1978. Earlier groupings have also been noted and will be given in future issues of this journal.

May 13th. Burtonwood, Cheshire, ENGLAND.....	2.00pm.
May 13th. Oudtschoorn, Cape Province, REP.SOUTH AFRICA.....	2.00pm.
July 13th. Near Wiener Neustadt, Austria.....	c.11.00pm.
July 13th. Near Ramblon railway station, Argentina.....	c.11.00pm.
August 10th. Near Roosevelt, Utah, USA.....	10.00pm.
AUGUST 10th. Edmonton, N.London, ENGLAND.....	10.00pm.
October 23rd. Dudley, West Midlands, England.....	11.00pm.
October 23rd. N.of Franconia Notch, New Hampshire, USA.....	11.00pm.

It should be mentioned that in some cases similar and even identical ufos are sighted at each pair of localities, even though these latter are geographically and temporally widely separated. Temporal separation is, of course, based upon sidereal time, not on local time.

The current volume, and many back numbers, available ex-stock on application to the Senior Research Officer, 48 Crown Road, Wheatley, Oxford, OX9 1UL. Prices will vary according to stocks in hand at any given time.

Price of each current volume (including parts 1 and 2) is:

- per single copy – 45p excl. postage (UK only)
- per single copy – 45p excl. surface postage
(overseas destinations only)
- per single copy – 45p excl. airmail postage
(overseas destinations only)

NB: Overseas correspondents should specify postal route desired when placing orders, otherwise copies will be dispatched via surface mail. CONTACT members, of course, receive copies of this journal free.

Blank duplicate maps of (a) Britain and (b) the world (for plotting specific UFO data-landing, type distribution, ufocals, etc.) are now available upon request from Data Research; price 3p each or three for 5p (postage excluded). Monthly frequency charts are similarly available; price 10p per set (postage excluded).