



PURSUIT

"SCIENCE IS THE PURSUIT OF THE UNEXPLAINED"

VOL. 5, NO. 4

OCTOBER, 1972

SOCIETY FOR THE INVESTIGATION OF THE UNEXPLAINED

Columbia, New Jersey 07832

Telephone: Area Code 201 496-4366

ORGANIZATION

The legal and financial affairs of the Society are managed by a Board of Trustees, in accordance with the laws of the State of New Jersey. These Officers are five in number: a President, elected for five years; two Vice-Presidents; a Treasurer; and a Secretary. General policy is supervised by a Governing Board, consisting of the five Trustees, and four other members elected for one year terms. General administration and management is handled by an Executive Board, listed on the inside back cover of this publication. The Editorial Board is listed on the masthead of this journal. Finally, our Society is counselled by a number of prominent scientists, as also listed on the inside back cover of this journal. These are designated as our Scientific Advisory Board.

PARTICIPATION

Participation in the activities of the Society is solicited. Memberships run from the 1st of January to the 31st of December; but those joining after the 1st of October are granted the final quarter of that year gratis. The annual subscription is U.S. \$10, which includes four issues of the Journal PURSUIT for the year, as well as access to the Society's library and files, through correspondence or on visitation. The annual subscription rate for the journal PURSUIT (alone, and without membership benefits) is \$5, including postage. (PURSUIT is also distributed, on a reciprocal basis, to other societies and institutions.) The Society contracts -- with individuals, and institutional and official organizations for specific projects -- as a consultative body. Terms are negotiated in each case in advance. Fellowship in the Society is bestowed (only by unanimous vote of the Trustees) on those who are adjudged to have made an outstanding contribution to the aims of the Society.

NOTICES

In view of the increase in resident staff and the non-completion, as yet, of additional living quarters, there is no longer over-night accomodation for visitors. Members are welcome to visit to consult our files, but we ask that they make application at least a week in advance to prevent 'pile-ups' of members who, as a result of the simple lack of facilities, as of now, cannot be properly accomodated.

The Society is unable to offer or render any services whatsoever to non-members. Further, the Society does not hold or express any corporate views, and any opinions expressed by any members in its publications are those of the authors alone. No opinions expressed or statements made by any members by word of mouth or in print may be construed as those of the Society.

There have been a number of articles recently on the problem of junk mail and the way in which one's name gets on such a mailing list. We should like to assure our members and subscribers that our mailing list is available only to resident staff at our headquarters.

PUBLICATIONS

The Society publishes a quarterly journal entitled PURSUIT. This is both a diary of current events and a commentary and critique of reports on these. It also distributes an annual report on Society affairs to members. The Society further issues Occasional Papers on certain projects, and Special Reports on the request of Fellows only.

RECORD: From its establishment in July, 1965, until the end of March 1968, the Society issued only a newsletter, on an irregular basis. The last two publications of that were, however, entitled PURSUIT-- Vol. 1, No. 3 and No. 4, dated June and September, 1968. Beginning with Vol. 2, No. 1, PURSUIT has been issued on a regular quarterly basis: dated January, April, July, and October. Back issues, some available only as Xerox copies, are available; those wishing to acquire any or all of these should request an order form.

Vol. 5, No. 4
October, 1972

PURSUIT

THE JOURNAL OF THE SOCIETY FOR THE
INVESTIGATION OF THE UNEXPLAINED

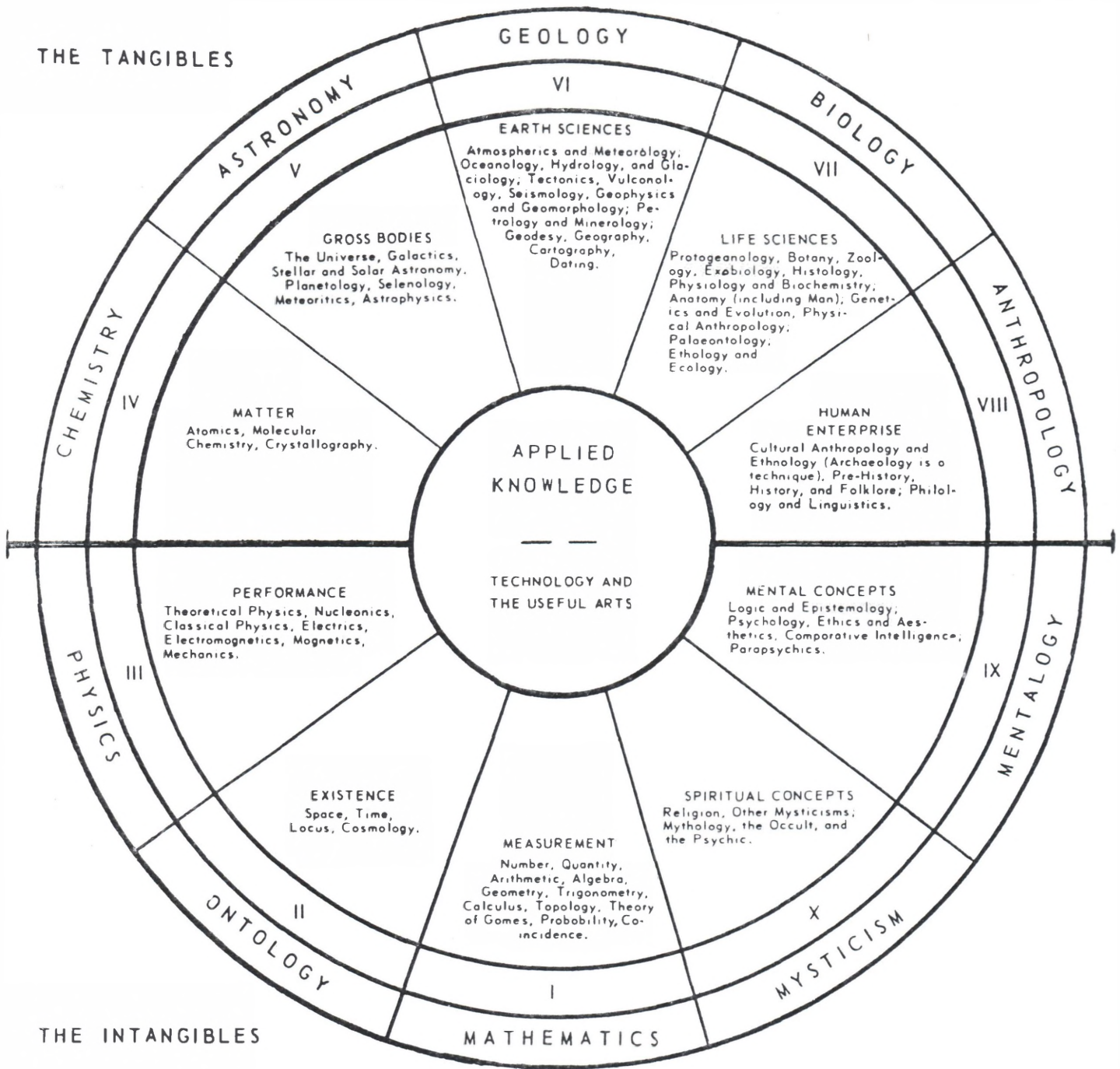
DEVOTED TO THE INVESTIGATION OF "THINGS"
THAT ARE CUSTOMARILY DISCOUNTED

Editor & Publisher: Hans Stefan Santesson
Managing Editor: Ivan T. Sanderson
Executive Editor: Marion L. Fawcett
Consulting Editor: Walter J. McGraw
Assistant Editor: Daniel F. Manning

CONTENTS

The Taxonomy of Knowledge	74
Editorial: A Fifth Force	75
Ufology:	
Outside Interference with Human Vision	76
Chaos & Confusion	
Ice Falls	76
The KLEE-TV Case Again	77
Ontology	
An Alternative to Time Anomalies	78
Chemistry	
A Natural Nuclear Reaction	79
Astronomy	
The Great Galactic Ghoul	80
Geology	
That "Diamond" Crystal	81
Biology	
A New Mammal Discovered	82
A New Lake Monster	82
The Improperly Classified Marine Animal	83
Penguins and the Chill Effect	83
More Drivel About Frozen Mammoths	84
Eels Out of Faucets	85
That Frog!	85
The Paraguayan Monster	86
What the Human Being of the Future Will Look Like, by Edward B. Camlin	87
Anthropology	
The Little Wooden Airplane	88
Giant 'Abo' of 6000 Years Ago	89
Skullduggery, Scientific Style	89
The Mysterious Pits of Olduvai	90
The Mysterious Walls of the Berkeley and Oakland Hills, by Sibley S. Morrill	90
Department of Loose Ends	93
Members' Forum	94
Book Reviews	94
Index for 1972	99

THE TAXONOMY OF KNOWLEDGE



Everything in existence, including "existence" itself, and thus all of our possible concepts and all knowledge that we possess or will ever possess, is contained within this wheel. Technologies and the useful arts lie within the inner circle, having access to any or all of the ten major departments of organized knowledge.

From the KORAN: "Acquire knowledge. It enables its possessor to know right from wrong; it lights the way to heaven; it is our friend in the desert, our society in solitude; our companion when friendless; it guides us to happiness; it sustains us in misery; it is an ornament among friends, and an armour against enemies." - The Prophet.

EDITORIAL

A FIFTH FORCE

Physicists recognize, work with, and obtain consistently reliable results using the four basic field forces—the electromagnetic, the gravitational, the weak nuclear, and the strong nuclear—that have been demonstrated. It is now clear, and beyond a shadow of doubt, that there is at least one more force that, it now appears, is susceptible to analysis, and the effects of which have in the past decade been demonstrated to be repeatable.

This is really all rather funny because orthodox physics has not only sneered at this but until recently absolutely refused to even recognize it. Moreover, they damned it as being what they erroneously call psychic, which means to them baloney. Now, as we pointed out in our last editorial, the technologists, and mostly in the electromagnetic field, have forced them to take cognisance of at least some of the reproducible effects, having demonstrated that these cannot be explained by any known aspects of the four known force fields. Experiments that have now demonstrated the existence of this force have, however, unfortunately been recorded in a most haphazard manner, while no organized attempt seems so far to have been mounted to investigate the properties of this force or define its parameters.

Further, that which the technicians have brought to light has been blithely relegated to, of all departments, the psychic. This has worse compounded the issue in that nobody seems to know the difference between true psychical research based on, or at least purportedly attempting to be prosecuted along, truly scientific principles, and all those studies that are lumped together under the erroneous title of ESP—which is only a minor division of the biological field of studies in the super-sensory proclivities of humans and other animals and plants—on the one hand; and the seething mass of pseudo— or non-scientific rubbish otherwise encompassed by the modern conception of what is called the Occult.

This fifth force is certainly involved in various aspects of SSP (meaning Super-Sensory Proclivities), and it would now seem to be the major force operative in the true psychic field and possibly the only one acting therein. Its manifestations are in no way affected by any of the other known forces; and, while doubtless universal in nature, it can be observed, measured, and investigated only in the biological field. The presence of a living thing is necessary to bring it to light. Although we have not yet defined it or its parameters, it has now been demonstrated that it, and it alone, can explain a whole raft of what were previously thought to be mysteries or pure imagination, such as mental telepathy, SSP (super-sensory projection) and SSR (super-sensory reception), the two PKs—Psychokinesis and Pyrokinesis, and possibly the whole group of things clustering around Clairvoyance. It would explain all that has puzzled the psychologists about things like the so-called subconscious, hypnotism, and the like.

It has long been manifest that people like Peter Hurkos' unimpaired abilities to perform when in a Faraday screen long ago showed that he is not running along electromagnetic lines as it were. Now, Jan Merta's incredible demonstrations on demand of PK, in Canada, prove without a shadow of doubt that the human brain, while indeed developing alpha and other electromagnetic waves, broadcasts in this fifth field as well. Cleve Baxter has demonstrated the same for plants and of a much more 'powerful' nature than that displayed among animals. But the list could go on and on. Is it not time that we stopped just ignoring all these things, or blithely relegating them to that vague field of the psychic, and got the technicians to work, trying to define the nature of this force and, by both theory and experimentation, give us a set of laws for it such as govern the other four forces. There is ample published material to get started on, so that at least a basic pattern might be assembled almost immediately. There is then the matter of seeking its parameters and fitting new observations into this pattern, rejecting them, or altering the pattern.

Our concept of the electromagnetic spectrum was built up this way starting with such humble beginnings as Faraday's work with electrics and Gauss' with magnetism. This has been linked to the two nuclear forces and it looks like the lot will soon be united with gravity as Einstein opined it must eventually be. This fifth force, which I think should be called the Biologic, is probably linked to the others also but we have to define it first and then test it against them. So far the most promising field seemed to be the electromagnetic but now, time and time again, it has been proved to have nothing to do with the creation of this fifth force field and it does not seem to be able to counteract or otherwise affect it. Currently the most suspect area is that of sonics which are being shown to display an increasing number of surprises. Actually this means Resonance other than that which can be demonstrated to be due to electromagnetic interference.

Let us hope that some properly established outfit with proper scientific facilities and accountments will drop the individual experimentation and get one with such an overall investigation, definition, and description of this fifth force.

Ivan T. Sanderson

UFOLOGY

OUTSIDE INTERFERENCE WITH HUMAN VISION

In our last issue (p. 52) we reported briefly on some astonishing discoveries made on the incessant vibrations of the human (and presumably those of other animals') eyeballs. This showed that only rather slight electromagnetic or sonic interference from outside, if deliberately applied at a very specific frequency, caused volunteer experimenters "not to see"; and we went on to suggest that this might be one of the methods employed by the operators of those UFOs that are material constructions.

Our member, Bob Durant, who seems to be becoming our leading light in analysing the technical aspects reported of UFOs, writes anent this item as follows:

"The article in Pursuit (p. 52) presents a hypothesis that could account for purely visual anomalies, but it seems a bit much to expect the vibrations to operate on mechanical devices such as auto engines which are not frequency-sensitive in the same sense that the eyeball is. However, if the vibrations are basically of an electromagnetic nature, and thus give rise to powerful alternations in the ionization of the surrounding atmosphere, one might get both the physical vibrations necessary to accomplish the eyeball vibration and induced electrical/magnetic forces as well. All of this is consistent with known laws of physics. The brain can be affected in such a specific way by electrostatic fields.

"Another thought on this: A strong EM field probably can give rise to visual hallucinations and disable electrical/mechanical equipment. But I have yet to see the explanation for the restarting of auto engines. Stopping an engine is a simple matter — cut off the ignition. But starting is something altogether different in that it takes a force to rotate the crankshaft. Simply restoring the ignition will do nothing. This brings us back to time anomalies. If the UFOs use

time as a means of travel, it is reasonable to suppose that the time field is deformed in the vicinity of the device. Thus the cars were running all the while, but during a peak in the time flow deformation caused by the UFO "time stood still" and the engine appeared to stop running. With the departure of the UFO, time regained its normal properties and the engine continued to run. This is analogous to a stop-motion photo showing a car on a road. The photo preserves one instant in the motion of the car. We know that the car is in fact moving on the road, but the photo preserves one instant of its motion; since we are familiar with cars and photography, all this is clear to us in the photo analogy. But in the case of the UFOs we are dealing with a totally unfamiliar set of concepts."

There is a further point about the car stopping and starting. If we assume that they get into an artificially created (by the UFOs) time sequence, which may be the natural "environment" of such UFOs, how about the lights also going off and coming back on, since they are connected directly to a battery. All electrical, including ignition, lights, and radio — and in the case of those automobiles that have magnetos — and electromagnetic devices come back on apparently suddenly, though the lights and radio are often reported to fade slowly on approach, and the engine to lose power gradually sometimes to the point of sputtering and choking before stopping.

The fact that everything comes back on suddenly, would seem to be that either the car had been held in some sort of electronic vacuum (time-shift perhaps) or that the UFO chaps have a method of jolting electrical circuits on from a distance. And we are becoming increasingly intrigued by one detail of the reports of this behaviour. Sometimes the driver had left his ignition on; other times they say that they had turned it off and only turned it on again after their engines had started up spontaneously.

CHAOS AND CONFUSION

ICE FALLS

We insert this only because, although from a leading newspaper, it may have been missed by our "collectors". And this is as good a time as any to bring up that matter.

From the Los Angeles Times, 24 May, 1972: "Building Damaged by Ice 'Bomb': A chunk of ice weighing between 30 and 50 pounds fell from the sky and ripped through the roof of a downtown Riverside law office building and landed on a third floor hallway. No one was injured but damage to the building

was estimated at several hundred dollars. Observing the evidence before it melted, authorities theorized it might have fallen from a passing plane, but a spokesman for the Federal Aviation Administration said he knew of no aircraft in the area at the time."

Hard-core fortune tellers appear to fall into two distinct categories, the Collectors and the Speculators. Of course the latter — which includes our Society — live off the former for, despite all the reading we accomplish here, we would still be virtually out of touch with the world if others didn't specialize in certain subjects and go after them like rare coin

collectors. However, we could name a few both here and abroad who have taken this to an extreme. Almost the whole of the ufological fraternity are of this ilk, having absolutely one-track minds as regards their chosen subject. What is more, we know several who abhor all speculation and theorizing — at least until their card-indices are finally up to date which we doubt they will ever be, and they have submitted their findings for statistical analysis. This is fair enough, and marks the truly scientific approach to problems.

However, these people can miss an awful lot of valuable information, to have which will eventually become essential, just because they haven't read and considered what the speculators have come up with. We have watched these cataloguers at work and have observed one most alarming fact. They all pick their categories of factors for carding in advance, and these will eventually become the only ones available when analysis is attempted. They are indeed basic and essential; but what of all the others they don't even consider as they catalogue?

Only the speculators can supply these, until-then-unthought-of "factors". In other words, collectors ought to know an awful lot more about their subjects before they start out, and they must know, and to the limit, what could be, as well as what is.

THE KLEE-TV CASE AGAIN

It's just possible that all of you once heard about this some years ago, as there was the most colossal popular uproar about it at that time, that went on for months and resulted in a government investigation. It was once thought that the whole thing had been some ingenious hoaxters using a very popular science-fiction story, the basis of which was that no radio or TV signals ever really die away and by some ingenious twist of the author's imagination, the earliest from Marconi in 1910 and Station KDK in Pittsburgh in 1924 and then on, reached earth again, having travelled all around the Universe and started coming back in 1947. He somehow arranged for them to come in as strong as when they were broadcast, so causing complete chaos forever. It was a splendid story.

The initial story of KLEE went that people in England were picking up the Station Card and Call letters of a station designed KLEE-TV at Houston, Texas, four years after that station had been sold and the call-letters changed to KPRC. This was in

1953 but, even leaving the time lapse aspects aside for the moment, reception would have been impossible in England in those days (1953). Nonetheless, a pretty high level enquiry was finally instituted by our government, who sent none less than Dr. Frank D. Drake over to England on it. Dr. Drake was the leading light in the famous Project Ozma, set up to deliberately quarter the heavens and search for cogent radio signals that were reproducible, trackable, and to which it was planned to make suitable replies. The Project was officially and publically closed after a few years, but the work has continued ever since, not only at Green Bank but at all our other large radio dishes when they have the time. Dr. Drake worked with none less than the British Department of Defence while in England on this case.

Now does it not strike you as odd that matters went this far in a case like this when anybody knew perfectly well that the reception of any U.S. call letters in England was then impossible? What is more, Dr. Drake in a long letter to Mr. Paul Huhndorff, Operations Manager of Station KPRC (previously KLEE), dated the 17th November 1959, says that before he left, the BBC had photographed not only the KLEE-TV station card but others saying "Texas", "Conn.", "N.Y.", and "N.J." that were obviously hand-lettered and did not even follow the pattern of NBC, CBS, or other networks. They suspected two notorious TV hoaxters who had previously somehow gained access to the facilities of a broadcasting station either in England or on the Continent sufficiently powerful all over southern England to perpetrate their efforts. Nevertheless, Dr. Drake spent some time in England and made a great play in his final opinion that this was the sole cause of the uproar.

However, neither Dr. Drake — nor any other astronomer under contract to government — ever so much as mentioned, (or just failed to reply to letters of enquiry about) similar events in America that started being reported after the outburst about England had hit the popular press. These came from our northern tier of states and Canada; occurred on an unassigned frequency; and were thus picked up only by chance when people were fiddling with their sets. They continued sporadically for about two months, one lady in Wisconsin deliberately noting the frequency on her dial and turning to it every night. And what did all these people say they got?

Very clear and loud a professional-looking call-letter station identification card for KLEE-TV, and

Notice to Librarians

If you are interested in microfilm or microfiche editions of Pursuit, please see the notice under Members' Forum for further details.

precisely 12½ minutes of what was apparently a mystery story that just cut in in the middle and always ended with a man running along a first floor balcony, as they have on the old French houses in New Orleans, and shouting something like "save me, help, they've got me" and ending with the man diving at the balustrade and thus off camera. Ends. Immediate cut to black, and never anything else all day on that frequency until 9:15 p.m. the next night. The government star-listeners must have heard of all this because Dr. Drake says in another letter that they received a report from a lady in Ohio, and quite a few other instances were published in letters columns to newspapers, and in some small magazines interested in UFOs.

Now, consider the facts; would this not be the most perfectly logical and intelligent way for other intelligencies elsewhere to alert us to the fact that they were "getting us" and for us to use this frequency — which, incidentally, was not that of KPRC or old KLEE. Using TV rather than just radio, as is also more intelligent because, while officialdom might never happen to hit on this frequency, they knew that a lot of the viewing public might, in due course, and then report it. This worked, and was one of the reasons for Dr. Drake going over to England. What is more, when Project Ozma was officially closed down, all the scientists involved scuttled all over the earth —and not just to attend symposia.

Finally, after a three-page letter dated Nov., 1959, to Mr. Huhndorff of KPRC, rambling on about how he and the BBC had proved it was a hoax, Dr. Drake solemnly states in his last page:

"Actually, in recent years astronomers have generally concluded that planetary systems are quite numerous in the universe, and biochemists have concluded that life is quite frequent on planetary systems. The time scales of cosmic evolution are such that we could expect civilizations more advanced than ours, at the same level, and less advanced than ours spread in great numbers throughout the universe.

"In just the last two years, we have developed electronic instrumentation that is capable of detecting radio signals of the type we generate on earth, over interstellar distances. [emphasis ours] That is, it has suddenly come within our power to detect other

civilizations, even though they are with other stars. This has led to a lot of serious thinking about this, most of which has not been made public. [emphasis ours] One of the conclusions most everyone has come to is that the first thing one does when one detects a transmission from another planet is to send back the same transmission to the other planet. This not only tells them you are here, but that you are receiving them. If you can send back a sufficiently powerful transmission for which many receivers will be tuned, such as TV, all the better, as your chances of being received are better. This is why the KLEE thing was so fascinating — it fulfilled all the above reasoning exactly, except that the time delay seemed too short. [There are plenty of stars at four light years away — Editor.]

"You may be interested to hear that for about nine months now, we have been constructing a receiver specifically designed to detect transmissions from intelligent beings at other stars. It should go into operation in another few months."

Let us assume that these senders monitored KLEE-TV station for some particular technical reason, and then started sending this 15-minute spot back, and it took four years to reach us, arriving in 1958. It took us these nine months plus for us to set up the appropriate equipment, as Drake states in his letter; and our reply then took four years to reach them. Then, there would be another four years to get an "OK, Message received" back to us. This would make 1968 before we got an answer. Should we then have sent a confirmatory "Return Receipt Required", it would be this year (1972) before they got it, and 1976 at the earliest before we can get a confirmatory reply.

The basis of scientific endeavour is reproducibility, so, in the meantime, our scientists very rightly don't want to go off "half-cocked", and are therefore waiting for this final confirmation. Meantime, if you have kept up with technical journals in your fields, and these happen to be cosmology, astronomy, and certain aspects of optics and broadcast transmission, notably on the use of TV on the Moon and now Mars, as several of our members have and do, you will find a constant flow of "hints" and "slip-ups" re all this, provided you are looking for them specifically, and know the above story.

II. ONTOLOGY

AN ALTERNATIVE TO TIME ANOMALIES

Member No. 973 wrote to our Director regarding his use of the theory that anomalies in TIME seemed to be the only observable feature of the 12 vortices (as exemplified by the misnamed "Bermuda Triangle") that might link our Universe (i.e. Space-Time-Continuum) with others, in certain special conditions.

This gentleman writes as follows, and we give his letter in toto.

"1. The electromagnetic qualities and dynamics of the two 'intermeshed' universes (each with, and in, its own space-time) operate in their own independent dimensions. (The term, "electromagnetic", as used here, refers to that assumed nature of the other uni-

verse that most closely corresponds, or is comparable, to what we know of as the electromagnetic nature of our universe; it does not imply that the basic nature of the other universe is electromagnetic per se).

"2. The 'electromagnetic' nature (i.e., energy) of our universe, and of the other universe, is expressed in wave lengths, frequencies, magnetic fields, etc.

"3. Contact between the two universes becomes possible where the 'lines' of these 'waves' or 'pulsations' converge (i.e., are in phase). The laws of periodicity thus apply. In light of this, and in light of the fact that all of these dynamics must exist within the context of space-time dimensions (if not space-

time-x-y-z dimensions), the existence of 'periodically' arranged geographical convergence zones (i.e., Earth's identified 'lozenges') can be explained (on a spatial basis) and reappearance phenomena of the Flying Dutchman variety can be explained (on a temporal basis). Perhaps poltergeist and other anomalous phenomena can be similarly explained.

"4. At these convergence 'points' (i.e., where 'lines cross'), ships, planes, energy, etc., can perhaps be 'derailed' out of one universe and into another, either by design or by accident."

Would members who feel competent to criticize this, please do so and let us know.

IV. CHEMISTRY

A NATURAL NUCLEAR REACTION

We feel fairly assured that this is a discovery of which all of you must have heard by now. While the explanations so far given are all feasible, they are by no means decisive. Furthermore, the whole thing leaves at least three most important questions open, and one does not seem to have been even considered as yet. We present the facts as given by Walter Sullivan in the New York Times of the 26th September 1972:

"A leading French scientist yesterday reported evidence that nature spontaneously ignited a nuclear chain reaction in an African uranium mine millions of years ago. The reaction, he said, apparently ran for a prolonged period....It was the first reported instance of a spontaneous chain reaction in the earth.

"When Dr. Glenn T. Seaborg, former head of the United States Atomic Energy Commission and a Nobel laureate for his work on heavy elements, was told of the discovery, he said: 'That is fantastic.' However, he added that, if any atomic explosions occurred, they were probably little more than 'fizzles'.

"The first clue was the observation at the French uranium enrichment center at Pierrelatte, that uranium from the Oklo mine, 40 miles northwest of Frenchville in Gabon, had a peculiar composition. It was markedly depleted in the uranium 235 extracted for bombs or, in weaker mixtures, for power plants. It was difficult to explain this unless some of it had been 'burned' in a chain reaction. Furthermore, the investigators at the French atomic center at Cadarache found four other rare elements —neodymium, samarium, europium and cerium— in forms that are typically the residue of uranium breakdown. The unusual composition of the Oklo uranium, which has been mined only since 1969, struck the analysts because all uranium, as it comes from the ground anywhere on earth —or even as it is found by astronauts on the moon— has the same proportion of uranium 235. This amount is 0.72 per cent. The reason, presumably, is that all uranium in the

solar system was formed at the same time. However, the form known as uranium 235 (because it has 235 neutrons and protons in its nucleus) is radioactive and is slowly becoming depleted, relative to more stable forms of that element, through radioactive decay. Whereas natural uranium today contains only 0.72 per cent of uranium 235, some 1.7 billion years ago it constituted 3 per cent. (This can be determined because uranium 235 decays at a known rate. Had there been a nuclear power industry at that time it would have been unnecessary to enrich the raw uranium. It could have been used directly as fuel in water-moderated reactors. This is why it is suspected that the spontaneous chain reaction began approximately at that time. However, specialists in reactor engineering said yesterday that they were puzzled as to how this could have occurred in a deposit with only [even?] 3 percent of the fissionable uranium.

"As Dr. Seaborg pointed out, in a reactor burning such fuel 'you have to have things exactly right'. Water or some other 'moderator' is needed to slow down the neutrons released as each atom is split so that they are not moving too fast for absorption by other atoms, to sustain the chain reaction. Furthermore, the moderator and the fuel must be extremely pure. Even a few parts per million of a contaminant, such as boron, will 'poison' the reaction, bringing it to a halt. How the necessary conditions could arise underground under natural circumstances, said Dr. Seaborg, is 'really puzzling'.

"Dr. Perrin, in the discussion that followed presentation of papers on this subject prepared by two teams of scientists, proposed that water filtering down through the uranium had acted as a moderator, or neutron-slower. When the reaction ran fast enough to convert the water to steam, the reaction halted until the deposit cooled once more. 'I thus believe', he said, 'the fossil pile at Oklo must have functioned intermittently, pulsating, as it were'."

First, we would like to know just what elements constitute contaminants in the case of uranium 235

(in addition to boron). Second, how deep in the mine is this depleted U-235 found and what lies above it. Is it granite right up to the surface, all free of all contaminants? If so, as the granite cooled down, which it will do very rapidly on the geological time-scale, was nothing else ever deposited on it in its early days. It is stretching the imagination almost too far to expect any such overlay to have also been free of contaminants.

But a much more cogent question seems not to have been asked as yet. This would seem to be of just as much pertinence to geomorphologists and geophysicists as it is to geologists. This is to ask, by a process of intrapolation, at what point back in time might there have been a proportion of U.235

sufficient to keep all uranium mascons from "burning" thus naturally? Or is this case absolutely unique in that it alone (so far discovered) managed somehow to avoid contamination? How did U.235 avoid it in the first place anyhow?

Should this procedure have once happened much more often, and more intensively due to the higher proportion of U.235, would it not have a devastating effect on the earth's crust, and leave signs of its effects due to heat transference if nothing else? In fact, was the earth initially accreted from super-cold material, later heated by uranium breakdown, as some have suggested? This theory would not seem to wash, as temperature is proportional to pressure so that as the earth grew its internal temperature must have grown from the inside out in any case.

V. ASTRONOMY

THE GREAT GALACTIC GHOUL

The National Observer of the 13th November 1971, in its section "Background Briefing" included an article entitled "Mars and a Space-Age Gremlin", as follows:

"There are two possible explanations for the problem encountered last week by Mariner 9 on its flight to Mars: A speck of space dust hit it, or the Great Galactic Ghoul got it. Mariner 9, scheduled to begin orbiting Mars on Nov. 13, suddenly lost its lock on the star Canopus, which is used for navigation. Engineers at the Jet Propulsion Laboratory (JPL) in Pasadena, Calif., promptly got the space craft to re-establish its proper alignments, and tests indicated all its instruments were working fine.

"The incident added to scientific speculation that a ring of tiny particles and asteroids orbits the sun between earth and Mars, some 128,000,000 to 133,000,000 miles out from the sun. JPL officials say Mariner 9's difficulty could have resulted from a piece of space dust striking the craft and tuming it so the navigational antenna lost track of Canopus. But those who relish a dash of spice with their space science might prefer to think that Mariner 9 fell victim to the Great Galactic Ghoul, a fictional space monster blamed for the misadventures of several satellites

approaching the red planet. The Ghoul was born in July 1969, in the imaginations of Time magazine reporters Don Neff and David Lee. JPL had suddenly lost communications with Mariner 7, one of the two U.S. space craft aimed to fly within 2,000 miles of Mars. Seven hours later, and just as suddenly, radio contact came back. But Mariner 7 had lost some of its ability to transmit data, and it was traveling slightly faster than it should have been.

"While scientists puzzled over the phenomenon — later attributed to a possible meteorite impact — the Time reporters noted that Mariner 7's problem occurred about 131,000,000 miles out from the sun. In 1963 Russia's Mars 1 went dead at about 133,000,000 miles, as did the Soviets' Zond 2 in 1965 at about 128,000,000 miles. Neither was heard from again. And Mariner 4, eventually a success, had its own difficulties in the same general area in 1965. In a bit of whimsy, Neff and Lee suggested to their pressroom colleagues that the Great Galactic Ghoul lurked near Mars. It had eaten the Soviet satellites. It had swallowed Mariner 7, didn't like the taste, and spit it out. That, they concluded, accounted for the loss of radio signals and the increased speed. One JPL scientist opined that the theory was as tenable as any other at the time.

"Today the Ghoul is as much a part of the U. S. Mars program as gremlins were a part of the World War

HOW TO GET YOUR NAME OFF JUNK MAIL LISTS!

Believe it or not, you can eliminate most of the junk mail you receive; not all of it —and for pornographic mail, ask your local post office for form No.2201 ("the form fo: getting off sexually-oriented advertising lists"). As for ordinary junk mail, write to Miss Lynn Lee, Director of Consumer Relations, Direct Mail Advertising Association, Inc., 230 Park Avenue, New York, New York 10017. She will send you information on their service, together with the necessary forms. There is no cost to you except for the postage required to request the form and return it to her.

II Air Force. Consider the reaction of a National Aeronautics and Space Administration (NASA) official last week after Mariner 9 locked again on Canopus. 'The Ghoul has been foiled,' he said."

Since neither telescopes nor any of our other sensitive detection devices have been able to find anything of a solid nature [i.e. with mass] in this strange "belt", and as it seems to come and go, we

are wondering if it might not be a zone of time anomaly like the 12 areas on the surface of our earth — exemplified by the misnamed "Bermuda Triangle" — but on a much grander scale. Sometimes planes disappear completely; in other cases they seem to skirt these areas and come out with all their inboard instruments functioning again but at a wrong time.

The two phenomena are strangely comparable.

VI. GEOLOGY

THAT "DIAMOND" CRYSTAL

On page 39 of our April 1972 issue under the heading "On Big Things", I made a casual remark that was not only totally inaccurate but absurd. Our Advisor on Geomorphology and Geophysics— and also straight geology, mineralogy, etc.— pounced on this, and so very rightly. Thank God that piece was written by me personally, as I would not want the Society to be blamed for any statement that is not fully checked and for which full references are not given.

The wild aside that I wrote went:— "Perhaps it was a chip off one of the apices of a diamond crystal that measured 21-ft (the chip that is) that first startled me". I saw this thing in, I think, the Geological Museum in Munich when I was about ten years old and I don't read German. The thing was manifestly, in view of what follows, not a diamond and was probably a piece of some rock like columnar basalt as opposed to mineral. Perhaps my parents had been pulling my leg!

After some interchange of correspondence Professor Kennedy wrote as follows, and I think the facts he gives are worthy of record of themselves, apart from setting me straight.

"The largest known diamond is approximately 4" across. For many years I have served as consultant to the De Beers Diamond syndicate and can give you the size and sequence of all the major known stones. I am also enclosing a paper on the Origin of Diamond Deposits which explains why large diamonds do not exist. They are emplaced explosively from a depth of approximately 200 km, through relatively narrow cracks. A brittle material with as good a cleavage as

a diamond would never survive the trip to the surface.

"No diamonds have ever been found in Europe. The source of all diamonds up until circa 1850 was India. The famous Golconda Mines. It was only after 1850 that diamonds had been found in Brazil and in Africa. Incidentally, your 21 ft crystal would weigh more than the entire annual production of diamond and, if broken up, would have a value for industrial use of little more than 10 billion dollars. An examination of the sketch you send with the dimensions suggests that the crystal you draw would weigh circa 100 tons. From your sketch, I estimate a volume of 1000 cubic feet, diamond weighs circa 250 lbs per cubic foot [sic]. This translates into 500 million carats and a carat of diamond fragment suitable to use in a diamond drill is worth around \$20 as an industrial stone. Thus, the value for industrial purposes of this stone would be circa 10 billion dollars, and its volume is circa 20 times the annual production of stones for the entire world. You can thus see why my eyebrows went up when I read the note."

My only further comment is that "out of stupidity cometh (sometimes) enlightenment".

Ivan T. Sanderson

Editor's Note: Professor Kennedy notes also that the largest single crystal he knows of is a spodumene crystal in a pegmatite dike in the Black Hills of South Dakota. He adds, "As I recall, this crystal is circa 20 ft in length".

Please, once again, let us know of any change of address as far in advance as you can. Third class mail is not forwardable unless you make a special request of the post office. If it is returned to us, the local post office sometimes indicates your new address, but not always—in which case it becomes impossible to get Pursuit to you until you get around to giving us your new address. And always include your zip code; Pursuit does not go through without it. We have a zip code directory, but it does not give a complete breakdown of codes within major cities. Thank you.

VII. BIOLOGY

A NEW MAMMAL DISCOVERED

There is a rather constant murmuring among the scientific fraternity that the discovery of any new large animals is "impossible". Nonetheless, and though we are somewhat late in announcing it, new animals, specifically mammals, are still cropping up. (No one is astonished by the discovery of new insects, since nobody has yet come up with even a good estimate of the number of species that exist on this planet.) We are indebted to Member #210 for sending us a copy of an article from the journal Animals (V. 10, N. 11, March 1968), based on formal reports in the journal of the Tokyo Zoological Society by Yukio Tagawa and Dr. Yoshinori Imaizumi. The animal in question is the Iriomote wild cat, which constitutes a new genus, Mayailurus iriomotensis. It was found not in "Darkest Africa" or the "steaming jungles" of the Amazon, but on a small island at the end of the Ryukyu chain south of Japan (see map).

Yukio Tagawa, a naturalist and author, was doing a series entitled "Journeys into the Wild" and, having heard (on Okinawa) rumours of a "new" cat—which he at first dismissed as being probably domestic cats run wild—and also having found that his first proposed destination was overrun by so-called civilization, he went to the island of Iriomote where he and, later, Professor Takara of the University of

Okinawa, eventually acquired some skins and skulls and, finally, some live specimens.

Mayailurus is only slightly larger than an ordinary domestic cat but quite distinct from it and from the "leopard cat" (Felis bengalensis). "Mayailurus has 5 to 7 black lines on the back of its neck which come to an end in front of the shoulders; peak-shaped black spots under the eyes, like those of a cheetah; and indistinct spots on the trunk which become vertical bands like those of an ocelot. It also has only 28 teeth, whereas the leopard cat and the domestic cat have the 30 teeth typical of the cat family in general."

Oddly enough, the Iriomote cat seems to be very similar to the Chilean mountain cat (Noctifelis guigna) which also has 28 teeth and a similarly shaped skull (specialists may wish to read the original article for these details which are meaningless to the non-zoologist). Presumably, the Iriomote cat is a primitive species related to the ancestors of the leopard cat and the ordinary feral domestic cat known throughout Asia: and possibly some of its remote ancestors came over a land bridge from Asia, thus producing the separate but related Chilean cat, Noctifelis guigna.

Even more interesting is the last paragraph in the Animals article:

"The Iriomote cat is a remarkable find which is all the more interesting for its possible links with the distant past. The islanders refer to it in their dialect as the pingimaya. They also talk about another cat which they call the yamamaya. They say that the yamamaya is the size of a sheep dog, and looks like a tiger. Perhaps there is another unknown animal concealed in the rainforest of Iriomote."

Perhaps indeed. And the next time someone announces that there cannot be any undiscovered animals, of whatever sort or size, deep in the virtually impenetrable swamps and forests of Africa or even in the sawtooth, forest-covered hills of north-central Pennsylvania, you may now point out that a new genus of felines was discovered on an island off Japan—an inhabited island, whose residents have always said there was such an animal. But, of course, no one believed them until 1966.

A NEW LAKE MONSTER

A rather splendid and, for once, very straightforward report comes out of Lexington, Kentucky, as follows:

Louisville, Ky., Courier-Journal, 7 August 1972: "Monster Reported Swimming in Herrington Lake" by Joe Ward (Staff Writer). "Prof. Lawrence S. Thompson, who teaches classics at the University of Kentucky,



keeps a second house on Herrington Lake about 30 miles south of here. And sometimes, in the quiet stretch of water between Chenault Bridge and Wells Landing a few miles down lake, he sees a 'monster' taking a leisurely swim in the early morning hours. As the professor describes it, it's not a particularly fearsome monster. In fact, in the four years he's lived on the lake and felt there was 'something out there', he's come under the impression that the creature is quite shy. All he's ever seen of it is a snout — not unlike that of a pig, moving along just above the water at about the speed of a boat with a trolling motor — and a curly tail, similar to that of the same animal, coming along about 15 feet behind.

"He explained — in a recent interview marked by its scholarly approach and multisyllabic vocabulary — that 'it's a monster only in the sense that you'd call an alligator or a crocodile a monster if nobody else had ever seen one.' Actually he said, he has no idea what it is. But he knows there are no fish that big in Herrington Lake and he leans toward a theory of his own — that it might be a type of creature that has somehow escaped observation by men since its prehistoric ancestors swam up the Mississippi and Ohio rivers millennia ago."

Professor Thompson is sensible enough to make his report and leave it at that. What more can one do about such an unexplained until one is caught? Why blather and speculate? Perhaps one of our members about those parts might like to take a stab at it and try to get some good photos at least.

THE IMPROPERLY CLASSIFIED MARINE ANIMAL

Member No. 1006 writes to us saying that our analysis of the corpse washed up on a rocky ledge near Santa Cruz, California, is just plain silly; and he advises us to refer to Dr. Bernard Heuvelmans' book In the Wake of the Sea-Serpent. We had, of course, already done this as we were intimately associated with him in the compilation of this work. Heuvelmans is a funny fellow. In both his books he will devote endless attention to items that could well be explained, but then brushes a number of the most enigmatic cases under the proverbial mat. He makes a great thing out of being a professional scientist and when and if ever he can find a definite pronouncement by a brother scientist, he takes it at face value; and "Case closed".

In this case there were not just two but half a dozen good photographs taken of the beast, but Heuvelmans must needs choose the one that does not show the long slender — and completely undecomposed, we might add — neck. We then made a further gross mistake in that we cropped the photograph that we used to the neck side, thinking that the average citizen, let alone a zoologist, would see enough to count out all types of whales, decomposed or not.

As to the skull being that of a Berardius bairdii, it might take a cetaceologist to refute any such ridiculousness. This creature (B. bairdii) is one of the beaked whales and has a long pointed skull, not a bull-headed one like this and, besides, it has no teeth in the front. But then, this is not the first time that a switch has been done in a museum, and it is much better to tell the newsboys and thus the general public what the skull was. They were perfectly safe in this case as they did not have a Berardius skull within 3000 miles to compare it with. No, it was definitely not a whale.

Another thing that has been overlooked is that everybody, even those with some zoological training, that inspected the thing insist that it had four equal-sized flippers, one pair just behind the junction of the neck with the torso and the other pair far aft. This, as in so many cases of this nature, was conveniently passed over and forgotten; by the zoologists because from their point of view, the less said the better; and from the point of view of the public and even the newsboys, because they simply would not have appreciated the significance of this point.

One of our zoologist friends objects that no long-necked dinosaurian reptile had a head anything like this; Admittedly, those we know from fossil skulls have large eye-sockets, but quite closely related animals among, for instance, the salamanders normally have large protuberant eyes, but some cave-dwelling species have minute ones or none at all. And, be it noted, that the creature probably spent 99% of its time below the hundred fathom line and this in total darkness, coming to the surface only very occasionally to replenish its oxygen. Anyhow, this is definitely not a known mammal or a fish (shark). We await further transcripts of the original stories, and then we hope photographs, before bearding the museum with a request for sight of their register of specimens received about that date. We will then ask for sight of the skull.

PENGUINS AND THE CHILL EFFECT

We have received a number of notes from members on this subject, including a most pertinent letter from Member No. 1017, the first portion of which we quote in full:

"On page 62 of the July 1972 Pursuit in an article entitled "Deep-breathing, or What?" — in which there is a confusion of objective and subjective aspects of temperature. The difficulty the article is suffering from concerns what is known as the 'chill factor'. Wind does not produce a drop in air temperature. It merely seems to, subjectively. The variables are wind speed, humidity and air temperature. Thus: at windspeed "A", with humidity at "B" and the thermometer at "C", it feels as cold as though it were temperature "X" at humidity "Y" with wind speed zero. What this means is that in your penguin example,

the air temperature remains at -150° no matter how fast the air happens to move. This could easily be demonstrated by asking the penguin to stand next to a thermometer. Subjectively, however, it might well feel like -300° —In other words, a thermometer exposed to your -150 degree air will register -150° at any wind-speed from 0 to ∞ ."

We got our facts from what is otherwise regarded as a thoroughly reliable text on the Antarctic but, after asking around, this (and our other correspondents and callers) would seem to be most certainly right. However, I think that standing out in the open all of the antarctic winter with temperatures that do go down to -150° is pretty good going anyway, and we are now searching for references to work that has been done on the heating apparatus and feedback system of it among penguins. We'd like to know how they do it. At the same time we have written to the Frozen Food Industry trade journal to ask how come they use what they call the "blast method" to reduce temperatures so drastically. We went all over this years ago when we first tangled with the troublesome matter of the deep-frozen mammoths in Siberia but we want it confirmed.

MORE DRIVEL ABOUT FROZEN MAMMOTHS

A statement by one Dr. Troy Pewe, as quoted by the Phoenix (Arizona) Gazette, 9th June 1972, was headed "Animal-Death Legends Refuted". This is one of the most pernicious pieces of misinformation we have seen released yet on this subject; and from the Chairman of the Arizona State University Geology Department. It went as follows:

"Myths and legends about the giants of the pre-historic animal kingdom being killed in cataclysmic shifting of the earth or violent storms today were given a label: 'Baloney'.

"As a matter of fact, said Dr. Pewe, who has been on expeditions all over the world, and especially in Alaska and Siberia, those animals died natural deaths. [a] Many [b] of them were found with buttercups in their mouths and stomachs, he said, proving that this flower is not confined to tropical zones [c].

"The carcasses, found as far down as 2,000 feet in the permafrost of the polar zone, probably sank into bogs in the spring and were covered up by the annual accumulation of debris, said Dr. Pewe. Those ani-

mals, mammoths (the giant, woolly super elephant), horses, musk oxes [sic], lions and, yes, even camels, were frozen after they died, thus preventing scavengers from eating them up. [d] Still frozen in spring, they were covered up by the debris that came along in each annual melt until they were covered by some 100 to 2,000 feet of permafrost.

"Dr. Pewe also applied the 'baloney' label about the carcasses being millions of years old. 'They only go back to the last ice age, about 70,000 years ago', he said. [e] The fact that camel carcasses also are found in the frozen far north, he said, indicates that this animal, usually associated with warmer life zones, roamed pretty much all over the world. [f]"

A. Of course they died "natural" deaths; there was no artificial refrigeration in those days!

B. Only one, the Beresovska Mammoth, had fresh buttercups between its teeth and in its stomach, along with a lot of sedges, and pine shoots.

C. Whoever said that Buttercups were confined to the tropics; in fact, that is one zone where they are not found in the form that we know. They are, on the other hand, one of the commonest plants of the lower Tundra.

D. Of course they were frozen after they died but the freezing had to be done in air and penetrate the whole animal before the bacteria in its stomach and the rest of it, literally cooked it and rotted it. The winter snows then kept the temperature down until the spring melt, when "muck" began to bury them. This then, too, froze to form the permafrost. How this was achieved without the exposed parts of the body thawing out and rotting in the brief but very hot three-month summer, is one of the greater mysteries.

E. It is indeed true that the oldest carcass dated by the Russians is only about 100,000 years old, but animals went on being thus frozen in fits and starts, chronologically speaking, until about 10,000 B.C. Then they stopped.

F. Dr. Pewe's remarks about the camels is also rubbish. The wild Two-Humped Camel is found today in a climate equivalent to that of the lower edge of the Tundra; while, on the other hand, Plum Trees, bearing fruit, have been found in the muck of the New Siberian tundra. Truth is, the climate swung back and forth between Ice-Age conditions and temperate during the last interglacial and glacial periods, and eastern Siberia never was covered by an icecap.

A fine geologist is Dr. Pewe! He seems not to have read any of the recent and current literature

Litter Bugs!

From the Minneapolis Star, 29 June, 1972: UPI (New York, NY): "A cruising police car discovered a grayish-pink hulk lying in a Bronx intersection. It was determined that the hulk was the skinned, decapitated body of a 300-pound animal, either a gorilla or a bear. No zoos in the area have reported the loss of a gorilla. There was no known crime, so police said there would be no investigation."

either on the frozen animals, or the palaeoclimatology of the area, even in our language, let alone the Russian.

EELS OUT OF FAUCETS

From the Boston Globe, 16 June 1972, by Warren Talbot: "Mystery Eels Puzzle Officials in Medford Mass. . . "An East Boston Woman called up the Metropolitan District Commission (MDC) yesterday and claimed that an eel had slithered out of her kitchen faucet. 'That I don't believe', Chief Water Supply Engineer Arthur Grieve said. But Grieve is trying to determine how three eels did find their way into Medford's water supply system. 'I am willing to believe that the eels could get into the city's water pipes, but never will ever believe they can come out a faucet'.

"Last Thursday Medford water department workers answered a complaint of low water pressure at 975 Fellsway Drive. When they dug their ditch and took the cap off the water main, an eel came out. The teleost was four feet long, and to say the least, its appearance astounded the work crew. Two more eels were fished from water pipes — one last Friday and another this Tuesday. All were taken in the Fellsway section of Medford, and reached lengths of four feet."

Mr. Arthur Grieve should be informed that this has been going on since ever and all over Western Europe and Eastern North America. We have dozens of reports in our files. Young eels have a built-in instinctive urge to keep going upstream in their first year and then being about pencil size they may get sucked into a water supply system and then grow there until they can't get out. On the other hand some may keep going until they are in the domestic distribution system when they go on up pipes that flow, before they get too big. A four-foot eel has too big a girth to get up to a faucet but a two-footer or even a starved 3-footer can do so.

THAT FROG!

A week after Hurricane Agnes had gone all around us —for a change!— in New Jersey, a gentleman rang us up to say that he had been informed hereabouts that we were interested in oddities. He is a pretty high-level engineer working under contract, he told us, for outfits like NASA. His home base is Wisconsin but he maintains a summer home near here in the beautiful, unspoiled, wooded foothills of Warren County, New Jersey. What he said on the phone was as follows:—

"The hurricane didn't hit us but we had an awful lot of rain and a lot of fine silt got through the filter into my swimming pool. So I told my man to drain it and scrub it. Well, he did but he came to me yesterday morning and said there was one hell of a funny looking frog in it and he really thought I ought to come and look at it. Well, I did; but I'm an engineer, not a bug collector, but I saw at once that this animal was awfully odd —two pairs of nostrils, no eyes, and huge sort of 'drums' there on the side of its head instead."

Well, we thanked the gentleman and asked if we could come over (about 15 miles) and have a look at it. He said "Heck, no; I'll bring it over to you; and I'll find out how to get there" —which is quite an exercise even for local people; and, py jinkoa, he did; and, what is more, he gave us the frog. That was on the 8th July.

It was a Bullfrog (Rana catesbiana) but was all "wrong" in that it had the warty skin and the colouration of the River Frog (Rana heckscheri) which is not from north of southern South Carolina, and which is also somewhat smaller. As the accompanying photograph shows, it has no eyes, a sort of hard excrescence on its snout, and two enormous tympani or "ear-drums". It was full-grown, and it changed colour in bright sunlight, just like any other Bullfrog. But, do what we could —and we are professionals at this— we never saw him eat; though we once got an earthworm



into his mouth, He spat it out. He (or she) died on the 30th October, just as we were going to press!

So what's "unexplained" about this? Plenty, ladies and gentlemen. First off, he was full-grown (head and body, 5 3/4"), and the book says it takes a Bullfrog four years to attain adulthood. Now, frogs get their food by sight —hence their enormous, bulging eyes— but this guy was born without eyes. Being a Bullfrog he must have hibernated for at least three winters. We eventually put him in a big 1" x 1" turkey-wire cage and put this at the edge of our pond, and we often crept up at night with a big flashlight, and there were always hundreds of polliwogs, baby Blue Gill fish, and all sorts of insects in, or going through, his cage. But we never saw him eat, though one person does say he saw him snapping at insects. Another strange thing we discovered was that, although he was born without eyes, he was sensitive to a light beam and used to waltz around when we turned the flash on him. Funny, but he did not like water. He also breathed through his mouth.

He's dead now, but professionally "pickled" in formaldehyde-salt solution; and he will be autopsied by other professional herpetologists. We want to see just how he was put together. So far it's totally unexplained.

THE PARAGUAYAN MONSTER

This was first reported exclusive to the Seattle Post-Intelligencer in mid-February of 1972. It has caused quite an uproar and no clear answers have yet been obtained. The Paraguayans apparently don't answer letters, even if written in immaculate Spanish. The story went: —

"...That Barking Snake in Paraguay Is for Real, by Percy Forster: Asuncion, Paraguay — For centuries, white men believed the 'Mboi-yagua,' a serpent with the head and bark of a dog and large steel-hard, needle-sharp hooks on its tail, existed only in the imagination of Guarani Indians in the swampy jungles of Paraguay. But last week [ca. 6–12 Feb.] a party of government surveyors returned from a three-month mission in a jungle along the banks of the upper Parana River, bringing a live 'Mboi-yagua' with them. Now it is housed in the local zoo, attracting thousands of visitors daily. Something over 10 feet long and about a yard in circumference in the middle, with the tail thinning down to 18 inches, it looks almost exactly as Guarani Indians have been describing it since the first Jesuit missionaries went to Paraguay more than 300 years ago. In fact the only difference is in the size. From the stories told by the Indians, the missionaries envisaged it as being at least twice as large.

"Four large hooks growing out of the serpent's body about two feet from its tail are believed to be used for holding the huge creature's prey, though exactly what it preys upon has yet to be determined.

Since its capture it has refused to eat anything, but clearly it is carnivorous, judging from the gaff-size hooks and the teeth, which are not unlike those of a dog, and, according to the Indians, it has a terrifying bark. But this specimen, in addition to refusing all food, also refuses to bark. On being placed in a high wire corral, with a hut in the corner, it stuck its head inside and thereafter refused to budge. The only sign of life comes at intervals of several hours with frantic swishings of its murderous-looking tail.

"According to the surveyors who brought it in from the jungle, they found it dozing in the middle of a riverside swamp. They managed to lasso its head, but six of them, tugging at the rope, were unable to budge it from where it lay, mostly submerged in the mud. Finally, to get it onto higher dry land they were obliged to use a tackle. Even then, it took them more than three hours to get it onto the caterpillar truck on which they transported the trophy to Asuncion.

Naturalists who flew in from Buenos Aires and Rio de Janeiro to see the strange creature immediately became involved in a debate that is still in progress. Some of them are convinced that it is a specimen of the mythical 'Mboi-yagua' while others assert it is nothing more than a distant relative of the taraconda, a species of serpent that has been found occasionally in swampy land along the banks of the upper reaches of the Amazon River in Brazil...."

This is one of the most puzzling "monster" stories ever, and one's first thought is that it is a put-on, even if naturalists did fly in from Rio and B.A. One look ought to be enough for any zoologist; and why didn't the Zoo director lasso its tail above the spikes and have it hauled out by brute force so that some good photographs could be taken and some film footage of its movements before it dies or escapes? In fact, why didn't they do this while it was being unloaded at the Zoo? The whole thing looks very "fishy" to us.

If this thing is not just a pipe dream, there are two alternatives. We suppose it could be some form of snake related to the Anaconda lot, whose heads seen from the side can look very like dogs without ears, but they don't bark. Further, there is no snake known with spikes on its tail, though all members of the Boidae do have two small "claspers" near the anus which are used to hang onto the female while mating; these latter can hardly be described as "hooks . . . two feet from its tail".

The other alternative is that it is some form of legless, swamp-living mammal, but of what order of mammals? Some Glyptodonts of the Edentata order had massive, hard, recurved spines on their tails but they were land-living vegetarians with huge carapaces like armadillos. Further, there is no known living or fossil mammal that is legless. Aggravatingly, we are not even told — and there have been several more reports on this throughout the year — if it has ears, whether the teeth are differentiated like those of a

mammal, or if it is covered with hair, naked skin, or scales.

The whole business is totally unsatisfactory as it stands and we tend to believe that it is just a phoney newspaper story.

WHAT THE HUMAN BEING OF THE FUTURE WILL LOOK LIKE

by Edward B. Camlin

[The following article is reprinted with permission and is copyrighted by the National ENQUIRER, Lantana, Florida; the same is true of the drawing which accompanies this piece.]

Future man's ideal male and female will have a huge head, with feelers growing from the forehead, hardly any chest, tiny legs, only one toe on each foot, no teeth, and a body completely covered by hair.

These are some of the radical changes nature has in store for mankind so that we will be able to keep up with our fast-changing environment and life-styles, the scientists say.

"Because we spend so much time in the dark watching television, man may develop rudimentary feelers in his forehead to help guide him over the outstretched legs of guests on his way to the refrigerator," said Dr. Hugo Bohman, of Goteborg, Sweden. "Perhaps that sounds amusing but that's the way evolution works," he added.

Man will also become quite hairy again, says a Dutch expert, Dr. Benjamin Grijseels of the Hague. The earth is slowly getting colder and man will grow more and more hair to help keep him warm, he explained.

Dr. P. G. Balfour of San Francisco University paints a grotesque picture of future man's body—at least according to our standards. "He will have a massive head, easily the biggest part of his body. And he will have hardly any chest or stomach, and legs no bigger and not much stronger than present-day fingers." He said his forecast is based on trends already in existence, which were fed into a computer.

Man will also lose some parts, among them his toes and teeth, another scientist predicts. "Except for our big toes, the rest are already useless," says anthropologist Abel Voight of Boston. "We need the big toes to push off with when we take a step. The others were fine when we swung from trees, but evolution has shriveled them up and soon they will tend to merge with the big toe."

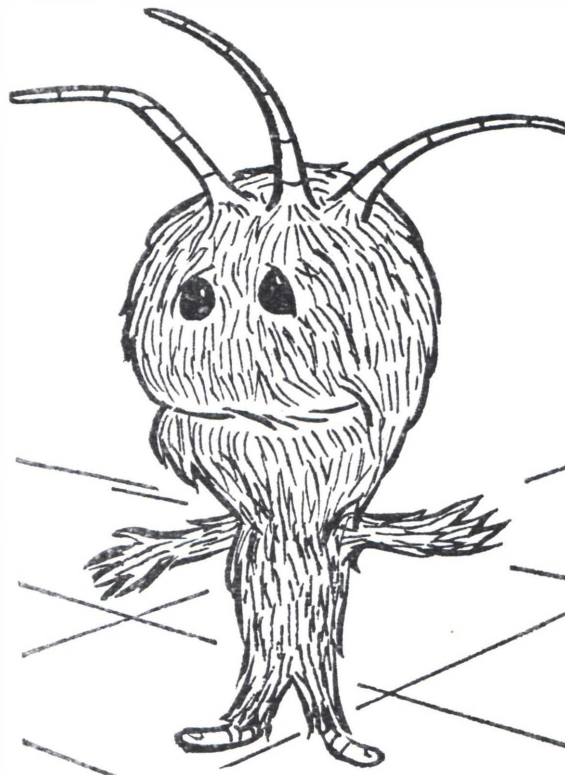
"Future man will have no teeth", predicts R. A. Wentworth, a resident dentist at Witwatersrand University in Johannesburg, South Africa. "Teeth have been getting smaller down the ages and there are indications that the molars are disappearing. Future man will develop a more streamlined jaw that is less muscular and bony." He said this will be the end result of the soft foods we are eating because

"The jaw no longer has to do the hard chewing job of earlier times."

Of course, nature will require some time to bring about these changes—about 10,000 years—the experts believe. But, they add, 10,000 years is not much more than a few days on the evolutionary calendar. After all, it has taken nature several hundred thousand years to build her present model of man.

Editor's Comments:—

Physical anthropologists and human anatomists can, and may well not only just disagree with this overall picture, but with the possible exception of Dr. Bohman's prediction, they will find it hard to dispute the individual statements. We would have thought that 10,000 years is too short a time spell and the whole article leaves out a very important "IF". Knowing Nature, one should keep an eye on the distinct possibility that the way of life predicated—presumably for all of humanity—will vanish long before these changes have time to take place. Further, the flat statement that the earth is getting colder may well not be the case. We don't know nearly enough historical climatology yet.



Human being 10,000 years from now, say experts, will have a huge head, tiny legs, feelers growing from the forehead, no teeth and be completely covered by hair. Artist's conception copyright National ENQUIRER, Lantana, Florida

VIII. ANTHROPOLOGY

THE LITTLE WOODEN AIRPLANE

We mentioned, but just tangentially, in our last issue when speaking of "flight" by the Ancients (p. 68), that the most amazing example yet to come to light was the discovery of a scale model of a very advanced type of cargo-carrying pusher plane or powered glider in an ancient Egyptian tomb at Saqqara, and dated as having been made in or about the year 200 B.C.

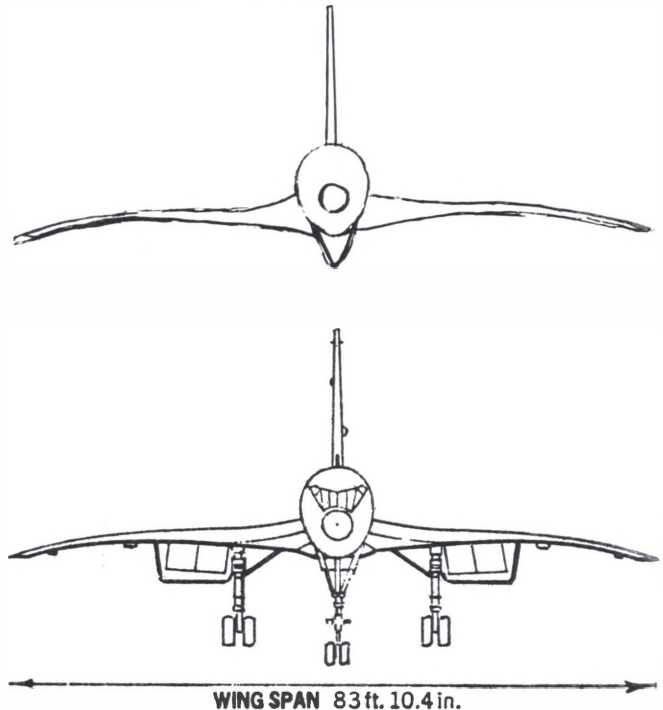
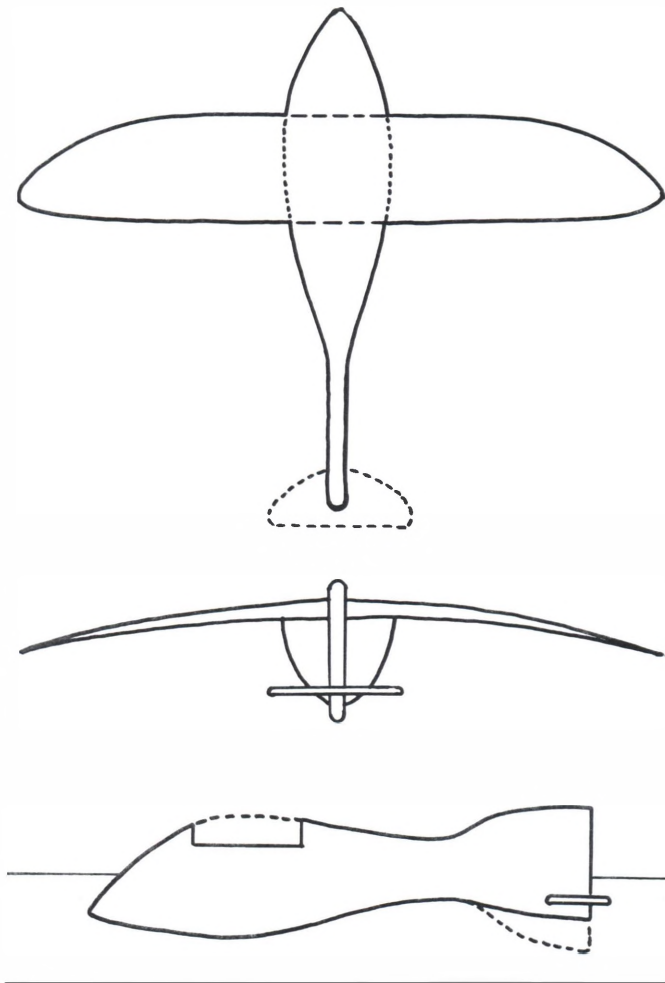
The Ancient Egyptian technologists always made scale models of things they were going to build, all the way from temples to ships. This item was originally discovered in 1898 and, airplanes being unknown in those days, was thrown into a box marked "wooden bird models" and then stored in the basement of the famous museum in Cairo. Here it was re-discovered by one Dr. Khalil Messiha who has made a life study of these models made by the ancients. So important was this "discovery" considered that the Egyptian Ministry of Culture set up a special committee of leading scientists to study it. The result of

their findings was that a special exhibit was set up in the central hall of the museum with this little model as its centerpiece. It is even labelled as a model airplane. This is not the kind of behavior one expects of a committee of experts; especially archaeologists and in a museum at that.

To tell the whole story would fill all of this issue, so we will confine ourselves to pointing out a few of the amazing aspects of this story. First of all, this thing has the exact proportions of a very advanced form of what is called a pusher-glider that is still having the "bugs ironed out of it". This device is actually a glider that will almost stay in the air of itself so that even a tiny engine would keep it going at speeds as low as 45 to 65 m.p.h. while it could carry an enormous pay-load. The whole business depends upon the strange shape and proportions of the wings. These, as you will see from the drawing, curve down at the tips. This is called a "reverse-dihedral wing".

Now comes this startling outline of the controversial European super-plane Concorde, the design of every part of which was planned to give this juggernaut the maximum lift without detracting from its speed. And so what do we see?

Precisely the same wing form and proportions. It seems rather incredible to us that anybody, for any reason, should have devised just such a model 2000 years ago. Is this another "left-over" from some greatly advanced prior technological civilization, the more useful techniques of which were carefully preserved by the priesthoods? It looks like it.



GIANT 'ABO' OF 6000 YEARS AGO

A startling discovery was made in Australia last year that has some distinctly fortean aspects. AP reported it straight on the 5th July 1972. It went as follows:

"The skeleton of an aborigine who lived thousands of years ago has been recovered from the earth near Lake Mitchie, 550 miles west of Sydney. By comparison, the man was a giant —6 feet 2½ inches— against an average 5 feet, 6 inches for the aborigine of today. Around the neck and reaching to the pelvis was a strange necklace made of 180 pierced teeth of the Tasmanian devil, a carnivorous doglike animal that has been extinct on the Australian mainland for 3,000 years. Prof. Neil W. Macintosh, who removed the skeleton from the ground, said radio carbon tests on the skeleton and walls of the grave had shown it to be about 6,280 years old. The necklace teeth, according to the professor, were of different ages, with some brown and cracked and others lighter. Some, he said, were 2,000 years older than the skeleton. [Emphasis ours]"

We remember the time when the Abo were said to be comparatively recent arrivals in Australia but we never 'dug' this because of their truly "primitive" appearance and behaviour, meaning that they must have been isolated from the other human races since before the end of the Neolithic stage in Southeast Asia. And, incidentally, some very much older human remains have already been found Down Under, but there was a strange silence about this after the initial report. They were said to be pre-Abo and more like late Neanderthals. Further, this individual may have been given important status while he was alive, and special burial, just because of his exceptional stature. One such individual does not predicate a whole "race" of giants thereabouts at that time.

SKULLDUGGERY, SCIENTIFIC STYLE

There have been numerous newspaper and some magazine articles on this subject but the best we have seen is the following by Gordon Slovt, a Minneapolis Star staff writer. It also brings together all of the incredible machinations of the archaeologists since these skulls were discovered, ending with the extraordinary statement from the Smithsonian. It reads:—

"After studying two human skulls found in Minnesota's Boundary Waters Canoe area four years ago,

archaeologists are still uncertain if the discovery has any significance. There has been speculation that the skulls —because they have very low foreheads and pronounced brows— may have belonged to some Neanderthal-like man and therefore would be older than any other prehistoric human bones found in this hemisphere.

"Dr. Elden Johnson, Minnesota state archaeologist, said the other bones and artifacts found with the skulls —discovered by Norman Saari, operator of a Tofte Lake resort— were insufficient to set an age for the bones. Dr. Martin Q. Peterson, a University of Nebraska physical anthropologist, examined the skulls while he was at the University of Minnesota. He thinks the skulls do have very low foreheads, but 'you wouldn't think it too unusual if you saw someone like this walking down the street'. After Peterson checked the bones, they were sent to the Smithsonian Institution in Washington, D. C.

"Dr. Lawrence Angel, curator of physical anthropology at the Smithsonian, said he had no record of the bones there, although he was sure they were not lost. He said this means the bones probably are not an important find. Plains Indians had skulls matching the description 'low-vaulted with pronounced brows' used in a report of the Minnesota find, Angel said."

Another version of the 11th July, released by AP, states: "The skulls are under study at the Smithsonian Institution in Washington, D. C. and if Dr. T. Dale Stewart determines the skulls are unique enough to warrant further investigation, a Carbon-14 age test will be made. The test requires burning one gram of bone material, and University of Minnesota scientists have been reluctant to destroy any of the material."

That a carbon dating was not made immediately before contamination set in is inexcusable, and one gram [1 ounce (avoirdupois) equals 437.5 grains; 1 gram equals 15.432 grains] would not destroy anything! We fancy none of them wants a really early date appearing. There have been constant reports of Neanderthal-looking skulls cropping up for years and from all over. One lot from southern California were almost "super-Neanderthal", surpassing even the largest-browed and flattened cranium skulls of early Neanderthals from Europe. That lot were soon scuttled though the discoverer placed them in the local historical society museum.

But perhaps the most astounding thing about this report is Dr. Angel's statement. There has been a constant stream of accusations that the Smithsonian "buries" things it doesn't like, but this is the most blatant admission we have ever seen.

THE MYSTERY PITS OF OLDUVAI

Back in June 1972 the National Geographical Society announced the discovery by Dr. Mary D. Leakey of a number of strange basin-like pits up to three feet in diameter apparently scooped out by hand, and a child's footprint in the middle of one of them, in an upper level dated half a million years ago at this famous East African site. The footprint was fully human. The N.G.S. release said:

"Working in one of the upper levels of the gorge . . . with the larger pits being about three feet in diameter and about a foot deep. The pits were scooped by hand out of a sandy deposit, which is now rock-hard. In some cases, clear traces of fingermarks remain on the sides. Impressed into one of the pits is the greater part of a human footprint, most likely the left foot of a child . . ." The Society said one theory is that the pits and channels were scooped out and used by the Stone-Agers for water-storage. Mrs. Leakey said, however: 'There are puzzling features. The bases of most of the pits and parts of the adjacent areas contain many small, clearly defined depressions. Some of these could have been caused by the trampling of animals, but others look very much like marks made by the end of a stock or staff. It even has been suggested that the pits and channels have been the work of children at play.' Still another theory, she reported, is that the pits and channels represent 'some quite commonplace domestic activity.' "

All the suggestions as to what they were for are more than feasible, but haven't we read somewhere that Abo children dig such little water-filled basins to attract small night animals which then can easily be caught in any number of ways even by hand?

We had written this up when word came of Dr. Louis Leakey's sudden death. He was not a young man but he certainly was not old by today's standards. I (Ivan T. Sanderson) knew him in the early days when I was 21 and he presumably only 29, but he was already established and appeared much older. He was one of my sponsors for election as a Fellow of the Linnean Society of London, a rather terrifying experience as it is by secret ballot and only one black ball disqualifies you forever. We several times had tea together in the Library of the Royal Geographical Society when he probed me on my efforts in animal ethology, and also what I knew of fossil man. He was terribly kind to this enthusiastic youngster, and I never forgot what he did for me. We all (SITU's staff and Boards) wish we could list his, his wife's, his sons', and an African who has been with him from 1931 when he started digging in the Olduvai Gorge in Tanganyika, full record but space does not allow. The scientific establishment had urged him to go and look for fossil man in Asia, but he persisted in his con-

viction that Man originated in Africa, and between 1959 when he found his first human remains there and the day of his death, he almost singlehandedly proved his contention and drove man's history back 2½ million years.

Ivan T. Sanderson.

Editor's Note: I (MLF) cannot resist repeating one of my favourite tales of Louis Leakey. While at Cambridge he was required to 'pass' a foreign language test. He had been brought up in East Africa and not only spoke but was able to think in Kikuyu (something quite else!). Those in authority had no option but to accept this choice but knew of no one qualified to give such a test. They therefore wrote to all the top linguists in the country asking simply, "Can you give us the name of someone qualified to examine a candidate who wishes to take his foreign language test in Kikuyu?" The invariable answer was: "The only qualified person in this country is one Louis S. B. Leakey."

THE MYSTERIOUS WALLS OF THE BERKELEY AND OAKLAND HILLS

by Sibley S. Morrill

For better than a century now, some ordinary looking stone walls in the Berkeley hills overlooking San Francisco Bay have been a subject of speculation on three principal points: why were they built, by whom, and when.

They are found mainly in heavily wooded or chaparral-covered areas, but whether there or occasionally in the high grasslands, they appear to have served none of the usual purposes of walls —except in two or three places where it seems they may possibly form the remains of fortifications. They survive only in sections, ranging in length from 20 feet to 200 yards or so. Their height varies from 2 feet or less to 5 or a little more, the average probably being between 3 and 4 feet. Their breadth at ground level, however, is great enough —4 feet in some instances— to make it a near certainty that the walls originally were much higher through the use of smaller stones along the top. Digging at their base, of which only a little has been done, reveals that the rock goes down as much as 10 inches below the surface.

While the sites of some of these walls, like those in the Vollmer or Bald Peak (1905 ft. elevation) and nearby Grizzly Peak (1750 ft. elevation) areas, suggest the possibility of a defense purpose, other sites, such as that of a wall which runs straight up the southeastern slope of Roundtop (1763 ft. elevation) through masses of underbrush and poison oak, offer no clue as to why they were constructed. Even if its present height of 3 feet was originally double that, Roundtop wall's length of nearly 100 yards would have made it of no use as a fortification. As to the

possibility that it once extended much farther in either direction, there is nothing to suggest this at either end. And whoever constructed it certainly did not do it for fun; some of the rocks weigh easily over 200 pounds! Furthermore, it is unlikely that they did it for 'practice'. Those who built that and the other walls were persons of some skill and experience, for the walls are not just elongated piles of rock.

Seth Simpson, of Oakland, California, who has studied the walls as a hobby for several years, and his son Martin, a palaeontology student at Merritt College, say it is plain that some of the stones were chipped and fitted. In fact, a stone found in a wall near Vollmer Peak was actually bored through or holed, and because of the growth of a tree immediately in front of it, plus the length of time the stone must have been in situ, that operation was probably conducted generations ago, when or even before the wall was built. In any case, throughout the greater part of the length of these walls, it is generally evident that the rocks were placed in such a way as to give a locking effect.

Simpson's investigations indicate that the walls are found over an area extending for nearly 7 miles south into the Oakland hills, but he has been quite unable to relate them to any boundary markings. Water company survey maps show that none of the walls has any detectible relationship to boundary lines; except for one case in the Vollmer Peak area, boundary lines parallel no walls nearer than about 600 yards.

Nor is there anything in the construction of the walls to indicate that they are the remains of pens or corrals. They are, for the most part, straight. Some intersect at an angle, and there are instances of parallel walls separated by as much as 10 yards or so, but there are no indications whatever that they formed enclosures.

Simpson attempted to determine whether there were similar structures in other counties around the Bay, but discovered nothing except in the hills behind Milpitas, an extension of the Berkeley and Oakland hills some 25 miles to the south. In a way, the walls there are still more baffling. They are in a gently rolling, comparatively treeless country, and except for the remains of one (see photo), they offer no suggestion of the usual purpose of a wall. In fact, from the nature of the terrain, which I have visited, it was not of a character to provide even the reason that New England farmers had for building their famous stone walls — primarily for "storage" of stones removed from fields to permit ploughing. When the New Englanders ran out of "wall space" they dumped excess rocks in the nearest gully. The walls were virtually useless as fences, and grazing land was much more easily fenced by stumps or stakes and rails. In the Milpitas area, the stone walls just run their way for a few score or few hundred yards and then stop. Livestock have no difficulty in walking around them.

As to why and when those walls were built,



Photos courtesy of Seth Simpson.

ranchers in the area whom Simpson interviewed said they didn't know. They had always been there —and had been constructed by "the Mexicans, or Chinese, or some others", in every case long before the ranchers came into possession of the land. In brief, these ranchers know no more about the origin of their walls than the inhabitants of Berkeley and Oakland know about theirs.

That is the way it is today. But, since the walls in the Berkeley and Oakland hills have undergone a certain amount of attrition, even destruction, in recent years (a considerable part of one of them was removed in the construction of a botanical garden at Tilden Park), it is of interest to see what was thought of them fifty years ago or so.

On October 15, 1916, Harold French wrote in the Oakland Tribune that, "since the Nineties, when my attention was first attracted by three ancient rock walls...I have asked many old timers what they knew about them. Two old tramping friends who have ranged these ridges since the Sixties have told me they were just as ancient in appearance then as in later years.

"One of them, the late Captain Albert S. Bierce, brother of Ambrose Bierce, dispelled the last lingering doubt in my mind when one day in 1904, he led me into a thicket of greasewood in a gulch draining the southern slope of Mt. Baldy, and in the jungle which has been growing there for ages he showed me a very distinct old wall completely hidden from view."

French reported that the walls to be found "at various points from the peak known as Round Top . . . to the northerly extension of Baldy Ridge" had a combined length that would "extend two miles in all". The largest walls French reported were those found "on the southerly slopes of Round Top, overlooking Redwood Canyon" where the walls "form a right angle, the longest line of which runs westerly down the slope for about 700 feet, the other points southward some 500 feet".

Noting that some of the "volcanic boulders" forming the walls weighed nearly a ton, French said that those forming the base of the walls "lie embedded in the soil for a foot or more", a matter which, when combined with the coating of lichens and the weathered surfaces of the rocks, "proves they have lain there a very long time".

As for the origin of the walls, French found nothing to indicate they were built by pioneers, Mexicans, or any other people who came after the arrival of the Spaniards in the 1770's. On the contrary, he notes that "there was a tradition among the Matalanes, tribesmen who made their homes among the Thousand Oaks [an area in the foothills of north Berkeley] and

pounded their acorn mills on the rocks near Cerrito Creek...that the walls were fortifications built by 'the hill people' with whom they warred. The very name Matalanes sounds strangely similar to Atlanteans, to whom the Aztecs and their predecessors who lived about Mazatlan, down the Mexican Coast were reputed to be related."

Another source, an undated and unidentified, but very yellowed clipping found by the famous Oakland bookman, the late Harold C. Holmes, tells of walls found "half a mile east of Grizzly Peak" which form "two sides of a right angle, each side being about 100 yards in length and appear to terminate in the dense chaparral, although traces are found showing that they were at one time much more extensive... about 50 feet in length, although it may be seen that it was built to a length of about 280 yards.....in the vicinity are the remains of other walls, at present of no considerable extent. The generally accepted belief is that the place was a city inhabited by some long-forgotten race... Certainly the people who built them understood stone cutting, as the boulders bear evidence of having been split and chipped in order to join compactly." Otherwise, the clipping gives much the same information as French gave.

Regarding professional opinion on these walls, the situation does not appear to have changed appreciably since 1916 when French quoted an unnamed "teacher of anthropology" he consulted, as follows:

"From time to time my students have come and told me about these walls in the Contra Costa hills [an old regional term], but I never took them seriously enough to make the effort to climb way up there in that 'Beanstalk land' to see them. I suppose they are either old sheep corrals or ranch boundaries.

On which French commented, "I suppose he was more interested in far away lands for anthropological prospecting than these relics of the past so near his classroom".

Simpson, who evidently knows more about them than anyone else, believes that they were not built by local Indians since there are no other signs of such construction attributable to Indians of the area.

"It is possible that some of these walls may have been built for the purpose of driving game into a sort of cul-de-sac where they could be easily killed, as some of the Nevada Indians did," Simpson said. "But except for that, all I can suggest, in the absence of extensive digging along these walls, is that they were built by unknown persons, in an unknown year, for an unknown purpose, and very possibly, despite our hopes, they will remain a puzzle for an indefinite future.

The Mitchell-Hedges Crystal Skull

We are informed that the Mitchell-Hedges Skull, discussed in Sibley Morrill's book reviewed in our July 1972 issue, will be on exhibit at the Museum of the American Indian, Broadway at 155th Street, New York City, until the 31st March 1973. It is one of sixty-two examples of the Amerindian use of the human skull as an "art motif". The exhibition is entitled "Visions of Mortality".

DEPARTMENT OF LOOSE ENDS

Concerning the article on Thunderbirds in our April 1972 issue, Member No. 928 writes, "The two ranchers may have seen a 'monster' near Tombstone, Arizona in 1890, but they did not shoot at it with 30-30 rifles. The first rifle chambered for the 30-30 was the Winchester Model 1894, introduced in 1894 in two calibers, 32-40 and 38-55. It was not until 1895 that the 30-30 was introduced. This type of mistake is quite common in the 'true west' magazines, and probably has little to do with the veracity of the story. Always made me wonder, though." It is probably true that this is simply a mistake - few writers are experts on rifles and very likely have never heard of a 32-40 or a 38-55. Also, Member No. 372 has been doing some checking on the Tombstone Epitaph. "It" had a somewhat complicated history, to put it mildly - we lost track about half way through the account. In any case, our member will struggle through the various editions (weeklies, dailies, every other Thursday, or whatever) to see if he can find that famous photo which still eludes us. And our

Member No. 1172 writes, "I dreamt I found the magazine with the picture of the Thunderbird in it and the name of the magazine was very familiar - but when I woke up, I couldn't for the life of me remember it! Sorry about that!" Still on this topic, we have a notion that it might have appeared in the old American Weekly (the Sunday supplement) prior to about 1947. Anyone care to check?

Secondly, in our January issue we ran a piece entitled "The 'What's-It' from South Dakota". We apologize to North Dakota for depriving it of several of its towns. The first clipping we received on this allegedly strange beast stated that it was in a zoo in Minot, South Dakota. We called telephone information for the zoo's number and learned that Minot was in North Dakota. Later clippings gave the location properly. When we came to write this up, we obviously used one of these newspaper clips but, "knowing" that the location was "wrong", we dutifully relocated it, not having noticed the switch in the meantime. We shall be more careful in the future.

NOTICE

Our members are reminded once again that unless they joined us after the 1st of October 1972, their dues for 1973 are due - still \$10 per year. We regret that circumstances this year have made the publication of Pursuit somewhat erratic and hope that next year we will be solidly back on schedule. We cannot do anything about the wretched postal service (a first class package took 27 days to get from Blairstown, N.J., to Little Silver, N.J.) and delivery of Pursuit will presumably continue to be slow. In some cases it has arrived in less than a week; in others it has taken over a month. The same is true of back issues, which are sent out, as a rule, the day after the order is received.

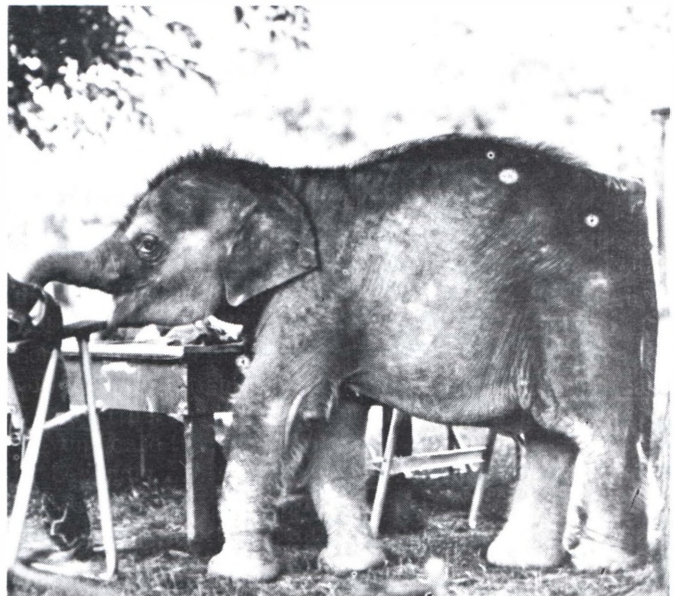
We would also like to remind our members once again that they must make arrangements at least two weeks in advance if they wish to visit. This is for your benefit as well as ours.

ON THE LIGHT SIDE

We are pleased to note the Mlle Mignon (last name withheld in accordance with our usual policy) has been made Honorary Member 1200. She is our youngest member (though her age is somewhat in doubt) - and we found her most charming. Generally she enjoyed her visit, dips in our pond proving particularly delightful; though she was somewhat annoyed when forbidden to wreck our trash burner, composed of unmortared cinder blocks, by leaning on it; and frustrated to the point of screaming when refused entry for the fourth time to Bus No. 1 which houses the potting shed and our small lab. Like all true forteans she possesses unbounded curiosity.

Ivan Sanderson, who has had considerable experience with elephants in his career, considers her the most charming he has met. And, yes, she is covered with hair - very bristly - and a source of considerable surprise to all the others (non-elephants) who came to tea that afternoon.

It is not our custom to confer membership on animals but Mignon is definitely a special case.



Mignon

MEMBERS' FORUM

Retired or otherwise 'unoccupied' members in Philadelphia are invited to visit the Philadelphia Maritime Museum near the Independence Hall complex with a view to going through their most excellent library and files for material that may be of interest to us. A great deal of information on light wheels and other phenomena is buried in such publications as *Notice to Mariners* and, so far as we know, no one has gone through these systematically.

Work on Charles Fort's notes is progressing satisfactorily, though we have no specific report at the moment. We should put it on record, however, that the gentleman who is doing the work has been permitted by his employer to take off two days a week to do it; and we understand that he is also taking wads of it home with him from time to time. He estimates that there are some 60,000 clippings and handwritten references on small cards.

A small "expedition" is forming to search for a live Thunderbird in Pennsylvania next spring. Preliminary arrangements were made late this summer and early fall, and the cooperation of the local people is assured. Nothing can be done until the snow melts, hopefully in early May. Take a look at a good geological survey map of northern central Pennsylvania; most of it is straight up and down.

Member No. 272 has drawn our attention to another kind of "sky-line", reported in *Doubt* No. 14 as follows:

"A Sky Anchor of Course. Across the roof of 347 Hale Street, Oakland, Calif., and two adjoining houses, a steel cable was draped. It was 750 feet long and 3/16 inch thick. 'Found' by a patrolman. No mention of anybody hearing it arrive -(night of June 4-5, 1945 old style). No damage done.

"Fourth Air Force Headquarters had no record, but said it 'could have been tossed overboard by an airplane crew which thought itself over the ocean.'

"Query: Is 750 feet of steel cable standard equipment of planes? Or were the boys attempting to tie to a wave? Cr. Yetter."

Perhaps one of our members in the Oakland area would like to try to track this one down in local newspaper morgues.

One of our members who is a high-school teacher has three classes studying *forteana*, based on *Pursuit* and the better *fortean* books. He is being assisted by one of our Board members who lives nearby. If there are other teachers who would like to start such classes —and assuming that the school superintendent or whoever will permit it (we once had a cancellation of a subscription to *Pursuit* which had been ordered by a teacher!)— we will give you what help we can.

Also, of particular interest to libraries but perhaps to individual members as well, University Microfilms has signed contract with us and will be reproducing *Pursuit* in miniaturized form. For information, please write to them at 300 North Zeeb Road, Ann Arbor, Michigan 48106.

By way of explanation, our Director, Ivan T. Sanderson, wishes us to place on record the fact that he married his literary partner —trading for many years under the nom-de-plume of Marion L. Fawcett— on the 4th of May last. Our Director and said Marion L. Fawcett were married under their given names so that the person appearing on our mastheads now (as necessitated by both the laws of the State of New Jersey, and the Internal Revenue Service) as Sabina W. Sanderson is also the said Marion L. Fawcett.

BOOK REVIEWS

by Marion L. Fawcett

BOOKS AVAILABLE IN PAPERBACK

A number of books that have been reviewed in these pages are now available in paperback editions. For those of our readers who could not afford the hardcover books, we list those we know of, with what information we have on them.

Bernard Heuvelmans. *On the Track of Unknown Animals*, MIT Press. \$2.95. This is abridged but in-

cludes photos, maps, drawings, an index, but no bibliography.

C. D. Darlington. *The Evolution of Man and Society*. A Clarion Book, Simon and Schuster, \$5.95. This was \$13 to \$15 in the original.

M. Gauguelin. *The Scientific Basis of Astrology*, Stein and Day, \$2.45.

Vincent and Margaret Gaddis. *The Strange World of Animals and Pets*, Pocket Books, 95¢. (This was "remaindered", and you may be able to find a copy of

the hardcover edition —at \$1— in bookstores that deal in “cutrate” books.)

G. and H. Papashvily. Anything Can Happen, A Camelot Book, Avon Books, 60¢. (Someone once asked why we included this in a list of recommended fortean books; in fact, most of it is simply a charming account of the lives of immigrants, but there is a truly fortean account toward the end.)

Charles Berlitz. The Mystery of Atlantis, A Tower Book, 95¢. This does not include the photos, acknowledgments, or bibliography.

Daniel Cohen. Mysterious Places, Tower Book, 95¢. Minus photos.

Pepper and Williams. Mysterious West, Ballantine, \$1.50. (Scheduled for September 1972.)

Vitus B. Dröscher. The Friendly Beast, Harper and Row, \$2.95.

Edward de Bono. The Use of Lateral Thinking. Two of our members wrote us about a paperback edition of this; I have managed to mislay both notes. So far as I can remember, it was an Avon Book with the horrid title New Think. We are also informed that Simon and Schuster has published a book by de Bono entitled PQ: A Device for Successful Thinking; this may or may not be the same book. [For a review, see p. 96.]

John A. Keel. Jadoo. Pyramid Books. \$1.25. Unlike the previous Tower Books edition, this is unabridged.

Charles Fort. A number of our new members —or members who are just discovering the world of the tangible unexplaineds— have asked, “What in the heck is forteana?” Forteana is the generic name given to tangible unexplaineds in memory of the impish Charles Hoy Fort who published four books on tangible unexplaineds and thumbed his nose at orthodox science. The hardcover collection The Books of Charles Fort is out of print and, so far, efforts to get the publisher to reprint it have failed. However, the books are available in paperback (minus any index, alas) and are as follows:

The Book of the Damned, Ace Star Book H-24, 60¢. (With an added preface by Donald A. Wollheim.)

Lo!, Ace Star Book K-217, 50¢.

Wild Talents, Ace Star Book H-88, 60¢.

New Lands, Ace Star Book H-74, 60¢.

One or another of these is occasionally “out of print”, but the publisher is apparently aware of the market and does reprint eventually. They are must reading for all who are interested in the unexplained —and Fort can truly be said to have started the whole business. Do read them, but don’t take his speculation too seriously; he sometimes had his tongue so far in his cheek that he must have used pliers to get it out again.

BOOKS NOT TO READ

We have noted with considerable consternation that those new to our field — that of tangible un-

explaineds— almost invariably gravitate to the worst possible books. We cannot list all of them but will name some that should be absolutely verboten and others that should be approached with considerable caution, with a few pointers on what to look for in books on forteana.

Absolutely Forbidden

All books by James Churchward. (The fact that he spent his life ‘studying’ his subject does not make his work valid.)

Any book by Robert Charroux.

Mu Revealed by Tony Earll.

Those Gods Who Made Heaven and Earth by Jean Sardy.

The Morning of the Magicians by Pauwels and Bergier (see comments below).

To Be Approached With Caution

Here we will deal not so much with specific titles as with authors who share certain failings.

They do not include references or documentation, or the documentation is inadequate. Second, their works are not indexed (admittedly, this is not always the author’s fault, but it makes the book relatively useless as a reference work. Third, they claim to have had documents or photographs which have invariably disappeared; and some of the ‘excuses’ for this are ingenious but extremely suspicious. Some of the offenders, in no particular order, (with comment where necessary):

R. Ripley. All of his books. Great fun, but many of his tales have proved to be pure fiction.

Frank Edwards. Ditto, but substitute “some” for “many”.

C. B. Colby. Ditto.

H. T. Wilkins. Ditto.

Coral E. Lorenzen’s The Shadow of the Unknown. (She should stick to UFOs.)

John Macklin. He occasionally changes people’s names (it would be better to leave them anonymous) and sometimes fails to indicate where something happened, which makes it impossible to check on him.

Brad Steiger (also writes under the name of Eric Norman*). Inclined to be very slipshod at times.

Daniel Cohen. So busy grinding his anti-forteana axe that he often comes up with very lopsided accounts.

Erich von Daniken. A self-appointed expert who provides no real documentation and is sometimes just plain wrong about his “facts”. His speculations are interesting and may be valid, but watch out!

Warren Smith.* In the same category with Frank Edwards, et al.

* We have just learned that both these authors use this name; check the copyright notice.

This list does not pretend to be complete, and the number of books being churned out on "strangethings" is really rather incredible. Unfortunately, most of them are simply compendia of "interesting stories". They contain no references whatsoever, no biblio-

graphy, no index; and the authors have a very strong tendency to borrow from one another, repeating certain stories almost ad nauseam and, for all I know, making them up. These books may be fun to read but should not be considered to be sources of information.

Edward de Bono. The Use of Lateral Thinking.*

This book was mentioned by Colin Bord in his splendid piece for Flying Saucer Review, which we reprinted in our July 1972 issue. It deserves further mention here and should be read by all forteans, particularly those "vertical thinkers who resent any suggestion that logic is not omnipotent". To re-quote Edward de Bono:

"It is not possible to dig a hole in a different place by digging the same hole deeper. Logic is the tool that is used to dig holes deeper and bigger to make them altogether better holes. But if the hole is in the wrong place, then no amount of improvement is going to put it in the right place. No matter how obvious this may seem to every digger, it is still easier to go on digging in the same hole than to start all over again in a new place. Vertical thinking is digging the same hole deeper; lateral thinking is trying again elsewhere."

In fact, one is tempted simply to quote de Bono ad infinitum. His book is full of little gems, and it is clear that he understands, perhaps better than anyone else I have read, the process of thinking. His book is not just a dissertation on the subject but a practical handbook, as it were, of how to think laterally. He points out that "The search for alternative ways of looking at things [i.e. lateral thinking] is not natural. The natural tendency of the mind is to become impressed by the most probable interpretation, and then to proceed from that"; and he goes on to present techniques for overcoming the habit of vertical thinking which is drilled into us almost from birth. He quotes, quite rightly, that education is "not really concerned with progress: its purpose is to make widely available knowledge that seems to be useful. It is communicative, not creative." And it is certainly true that most new ideas have come about when new observations or information have forced a reappraisal of old theories that had previously been taken for granted. Logic, or vertical thinking, may have a high-probability quotient, but it seldom produces new ideas; lateral thinking has a low-probability quotient (many new ideas may be produced before one of real value appears) but it is likely to be of far greater use to forteans, and it can always be combined with logic. They are complementary.

Jim McClarin. Manimals Newsletter. (A monthly publication)

Quite a number of our members are particularly interested in what we call ABSMs - Bigfoot, Sasquatch, Yeti, et al. - and some have 'complained' because Pursuit does not include all current reports on this subject. This is not, in fact, the function of Pursuit; but for those who do want such reports, we cannot recommend a better source than Jim McClarin's MN, established for just this purpose. He chose the term "manimal" because "it is a relatively self-explanatory contraction of 'man' and 'animal', used to mean a man-like animal, or an 'animal-like' man, and it seems to carry no other special occult, humorous, or ethnic connotation." We approve heartily of this choice (ABSM is a bit of a jaw-breaker) and we are particularly happy to get away from the quite incorrect use of the term Yeti when referring to our North American hominids.

MN includes both general articles and letters of interest, and an extensive bibliography of both magazine and newspaper articles, with a very brief abstract of each. Photocopies of individual articles can be obtained from Jim McClarin; details on ordering are included in MN.

The subscription policy is a bit complicated. In order to encourage the exchange of information, Jim McClarin will send the "next" issue to anyone who sends a self-addressed stamped (8¢) long business envelope (#10) plus at least one informative dispatch (i.e. current news clipping or whatever). Or you can send a self-addressed etc. envelope plus 25¢, and you will get the same issue but one month late. Back issues (August 1972 was the first issue) are available for 25¢ plus the usual envelope. Presumably a stack of 12 envelopes plus a check for \$3.00 will get you a year's subscription, but these will be mailed one

*Through the kindness of one of our English correspondents we learn that The Use of Lateral Thinking is available as a Pelican Book in the U.K. (25p), Australia (\$0.85), New Zealand (\$0.85), and Canada (\$1.15). And see p. 95.

month after the date of publication. The address is 4717 Florin-Perkins Road, Sacramento, CA 95826; and if you have any really 'hot' news, his telephone number is (916)-381-1674.

Gerald L. Wood. The Guinness Book of Animal Facts and Feats. London: Guinness Superlatives Limited. 1972. L3.95. (U.S. price unknown)

This is one of a series separate from the justly famous and widely used Guinness Book of Records, and is devoted exclusively to the animal world. Each section is concerned with one Class (or, in some cases, phylum) of animals, with information on the biggest, smallest, fastest, etc. It is a useful reference work, but also includes some profoundly fortean tidbits; e.g. an authenticated case of an eagle having carried off a four-year-old girl; the fact that decapitated caterpillars may metamorphose into perfectly healthy but headless butterflies which live longer than their normal brethren. But we could go on and on. One can read the book straight through with a fair amount of pleasure, though "smallest" and such eventually become somewhat tiresome. Our only real complaint about the book is that the author, particularly when reporting unusual (at least semi-fortean) items, very often announces that "this must be discounted" or "this must be considered fanciful" or some such without giving any reason why it "must be". It is clear in some instances that sizes or ages or whatever are probably exaggerated, or even definitely so, but in others one can almost hear Gerald Wood saying to himself "there ain't no sich animal —and there couldn't be".

The book is well illustrated, though we understand that the author is not satisfied with the current photos and is looking for others for the next edition. It contains a good bibliography and an index.

Bruce S. Wright. The Eastern Panther. Toronto: Clarke, Irwin & Company Limited. 1972. \$6.50 (plus 50¢ handling charge; order from Order Department, Clarke, Irwin & Company Limited, 701 St. Clair Avenue West, Toronto, Ontario, Canada).

This is a completely updated edition of Bruce Wright's previous book entitled The Ghost of North America, and deals with the survival of the Eastern Puma which has long been considered to be extinct except in Florida. Understandably, the author devotes most space to pumas in northeastern Canada —he lives there; but he also records pumas seen all down the eastern seaboard of the U.S., including one seen on the Garden State Parkway in New Jersey! The first half of the book concerns the evidence of their continued existence —and there can be no question of this— while the second half presents a picture of the animal itself, its physical appearance (he devotes a couple of pages to black pumas), life cycle, habits, and such, and suggestions for the protection of the few survivors. Pumas are protected only in New Hampshire and Florida; elsewhere they do not legally exist and therefore cannot be protected.* They play a valuable role in nature and deserve a better fate than that which now faces them.

Mr. Wright's book includes drawings and photographs, two appendices listing reports of pumas, and an excellent bibliography. There is an index but it leaves something to be desired.

Arthur Koestler. The Roots of Coincidence. New York: Random House. 1972.

This is a most peculiar book which has almost nothing to do with coincidence so far as I can see. The first chapter is entitled "The ABC of ESP" and is a crashing bore. The second chapter, "The Perversity of Physics", I found rather interesting, and intelligible, which is more than I can say for the rest of the book. Koestler devotes about five pages to a definite discussion of coincidence, i.e. what Paul Kammerer (of Midwife Toad fame) called the "laws of seriality". Once past these five pages I found it impossible to figure out what Koestler was talking about. I certainly cannot agree with Renée Haynes who states in her "Postscript" that "Mr. Koestler has given us a lucid exposition of modern data as to space, time, matter, causality, neurophysiology and psychical research, out of which a remarkable synthesis emerges. His concept of 'Janus-faced holons' may well prove as stimulating to our generation as was Bergson's Élan Vital

*We are informed by Member No. 981 that North Carolina now protects the Puma, a bill having passed recently —though it still is not legally recognized to exist.

to the thinkers of the early part of the century." And don't ask me what "holons" (Janus-faced or otherwise) are; there is an index, but it contains only names of persons mentioned or quoted in the text, and I cannot find the "holons" to see if a third reading might clarify them for me. (I doubt that it would.) There are also references and a bibliography (he is very fond of Carl Jung and A. Koestler).

I have read only a greatly abridged version of Koestler's The Case of the Midwife Toad (Random House, 1971) and cannot therefore legitimately review it. However, my impression from reading it is that Arthur Koestler needs a good editor who uses an axe.

Richard Perry. The World of the Jaguar. New York: Taplinger Publishing Company. 1970. \$6.50.

In most respects this is a straightforward natural history book, but the author has seen fit to dump into the middle of it, apparently quite arbitrarily, two really unrelated chapters, one on the Anaconda (straight natural history) and one on the so-called 'Sucuriju Gigante' or truly gigantic snakes, whether Anacondas or other species. He does not, so far as I can recall, add anything new to the literature and has, in fact, culled all the material for his book from other authors. He shows a tendency toward somewhat purple prose at times, but this may be unconscious imitation of some of the earlier authors he quotes. Mr. Perry can at least be congratulated on an open mind. There is a bibliography and an index.

New Horizons. Journal of the New Horizons Research Foundation, incorporating the Transactions of the Toronto Society for Psychical Research. Published occasionally. Individual copies are \$3.50 U.S., \$3.00 or £1.50 sterling. P. O. Box 427, Station F, Toronto 5, Ontario, Canada.

We have received Vol. 1, No. 1 of this journal which is edited by A. R. G. Owen—his name should be familiar to those who are interested in poltergeists—and found it most interesting. It includes two articles on "spook lights" and ten on a variety of so-called 'psychic' phenomena studied pragmatically from a physical point of view: voluntary (i.e. on demand) psychokinesis, "psychic" photography, an allegedly haunted house, etc. It is thoroughly scientific and, though some of the items considered are not of especial interest to us, they may be to some of our members. This issue is dated Summer 1972, and it is noted a Winter 1972 issue is planned.

Erich von Däniken. Aussaat und Kosmos. (German Edition) Dusseldorf, Germany: Econ Verlag. 1972.

One of our members in West Germany has very kindly sent us a copy of von Daniken's latest book which will probably be available in English shortly. We have no idea what the title will be; Aussaat is not easily translatable but might be rendered as "dissemination", but the English/American publishers may well change the title entirely.

Fans of von Daniken will be glad to hear that this book is as entertaining as his previous books, but fortune tellers will probably find it more amusing than revealing and too short on facts to be exciting. It contains some fresh material and plenty of von Däniken's theories. He begins with an account of "the greatest adventure of my life" in a gigantic system of tunnels alleged to lie beneath Peru and Ecuador. He claims his guide led him to a subterranean treasure of gold artefacts and a library of several thousand metal plates and foils of "mysterious composition", rich with inscriptions. Needless to say, he has practically nothing more to say about these "treasures" (or any proof that they exist) but does go on at length about the tunnels—alleged.

The bibliography is considerably more extensive than is usual in his books, and there is an index, but no actual references. Von Däniken has been accused of plagiarism in the past, and we note that a photograph (credited to von Däniken in the photo index) of the "little gold airplane" found in Colombia, S.A., is almost certainly the cover illustration used by Argosy Magazine when the original article was run. And two pages on, there are drawings of that same gold airplane that must have been lifted (without credit again) from Ivan T. Sanderson's book Investigating the Unexplained.

Read the book, but read it carefully and with skepticism throughout.

Robert C. Warth

Peter E. Viemeister. *The Lightning Book*. Garden City, NY: Doubleday & Company, Inc. 1961. Cambridge, Mass.: MIT Press. 1972. (Prices unknown)

This is a splendid book for those who wish to know more about lightning or who want to know what to do about it. In our July 1972 issue we reprinted parts of an article about lightning. Some of the figures given do not tally with those in Peter Viemeister's book, and I frankly favour the latter if only because of the very extensive bibliography and the obvious amount of research that went into it.

The book is divided into three parts: "The Search for Knowledge", "Origin and Character of Lightning", and "Lightning in Action". The first section deals with the history of the study of lightning and thunderstorms all the way from early Egyptian and Greek beliefs to "Project Thunderstorm" in the 1940s. (He also later points out that it is most unlikely that lightning actually struck Ben Franklin's famous kite; though Franklin did collect "electric fluid" from the atmosphere by that means.) The second section presents a very clear picture of the "anatomy" of thunderstorms and of lightning bolts as such. It is a more complicated business than one might think, but he makes it intelligible to the layman. And in the third section he relates the effects of lightning and presents practical suggestions for protecting oneself and one's property. In fact, lightning rods are effective provided they are properly installed. They gained a bad reputation because a lot of fast-buck operators failed to do this, thus putting the poor house-holder in greater jeopardy than before! In any case, the safest place to be is in your car.

The book is well illustrated though, in the paperback edition, the photographs lose something in quality because of the paper they are printed on. There is a very useful list of codes and handbooks worth sending for—some free and none costing more than \$1.00—and also the names of manufacturers and installers if you feel you want lightning rods (in many locations they are really unnecessary). As noted before, there is an excellent bibliography—and a good index.

INDEX — 1972

This index for 1972 includes all titles published during that year, some with annotations to make the content clearer. Book reviews are listed alphabetically by title. For the convenience of the user, paging during the year was as follows: January, 1–24; April, 25–48; July, 49–72; October, 73–100

ONTOLOGY

Alternative to Time Anomalies, An, 78
Other Universes, 32

PHYSICS

Fire Walking, by R. J. Durant, 8
More on Light Wheels, by R. J. Durant, 33
Sound as a Highway Hazard, 32

CHEMISTRY

Natural Nuclear Reaction, A, 79
"Rustless" Iron Pillar at Delhi, The, 35

ASTRONOMY

Biorhythms; Planets; and Astrologers, 36
Great Galactic Ghoul, The, 80
Moons of Mars, The, 36
Tenth Planet—Or an Eleventh?, 9
Water on the Moon, 9
Where Does the Iron Go?, 57

GEOLOGY

Almost Fortean Facts About Lightning, 59
Mystery Sand Dunes, 58
On Big Things, 39. See also p. 80
Terrestrial Meteorite Craters, 38
That "Diamond" Crystal, 81

BIOLOGY

Andrew Crosse's Acari, 19
Black Pumas, 12
Deep-Breathing, or What?, 62. See also p. 83.
Definitely Unclassified Marine Animal, A, 60. See also p. 83
Eels out of Faucets, 85
Hominidae and the Troglodytidae, The, by B. F. Porshnev, 10
New Mammal Discovered, A (in 1966), 82
Improperly Classified Marine Animal, The, 83. See also p. 60.
More Drivel About Frozen Mammoths, 83
New Lake Monster, A, 82
On Evolution, 11

Our Top Lake Monster (Lake Champlain), 62
 Paraguayan Monster, The ("Barking Snake"), 86
 Penguins and the Chill Effect, 83. See also p. 62.
 Self-Beaching Cetaceans, 62
 That Frog! (Congenitally blind Bullfrog), 85
 That New Zealand Sea Monster, 11
 Thunderbirds Again —and Again, 40. See also p. 93
 250-Million-Year-Old Organisms Revived, 60
 What the Human Being of the Future Will Look
 Like, by Edward B. Camlin, 87
 "What's-It" from South Dakota, The, 13, See also
 p. 93

EXOBIOLGY:

Message, The (on Jupiter rocket), 64
 Possibility of Life on Jupiter, 63

ANTHROPOLOGY

Cultural Expansion: Which Way?, 16
 Food for Thought ("Extraterrestrial" Cultural Ex-
 pansion), 18
 Giant 'Abo' of 6000 Years Ago, 89
 Light Wheels and Holograms That Use Acoustical
 Radiation, by R. J. Durant, 13. See also under
 Physics.
 Little Wooden Airplane, The, 88
 Mitchell-Hedges Crystal Skull, 92. See also p. 72.
 More on Mercury Engines, 67
 Mysterious Walls of the Berkeley and Oakland
 Hills, by S. S. Morrill, 90
 Mystery Pits of Olduvai, The, 90
 Rather "Disgusting" Case, A (Rune Stones in
 Maine), 42
 Skulduggery, Scientific Style, 89
 South American Pygmies, 66

UFOLOGY

ADC and UFO, by W. B. Stoecker, 4
 Documented Case of Governmental Dishonesty, A,
 28
 Essential Reading (reprinted from FSR), by Colin
 Bord, 52. See also p. 96
 Off and On (Possible Cancellation of Images on
 the Retina), 52
 Outside Interference with Human Vision, 76

CHAOS AND CONFUSION

Fire-Walking Again, 31
 Ice Falls, 76
 KLEE-TV Case Again, The, 77
 Metallic Balls from Where?, 55
 More Sky-Lines, 53
 Mystery Bell —Stone, England, 57
 Ringing Rocks: Another Aspect, 6. See also p. 44
 Sub-Section K (Coincidence and Lightning), 54

Underwater Explosion, An —Or What?, By R. J.
 Durant, 30

MISCELLANEOUS

Alma V. Sanderson: In Memoriam, 24
 Charles Fort's Notes, 44. See also Members' Forum
 Current Pursuits, 19, 44, 69
 Department of Loose Ends, 19, 93
 Members' Forum, 20, 45, 69, 94
 Editorials: by Ivan T. Sanderson unless otherwise
 noted
 Fifth Force, A, 75
 Noemasphere, The, 3
 On the True Nature of Things, 27
 Parapsychics and the Encroachment of Technology,
 51

BOOK REVIEWS

Ambrose Bierce, F. A. Mitchell-Hedges and the
 Crystal Skull, by Sibley S. Morrill, 72
Aussaat und Kosmos, by E. von Daniken (rev. by
 R. C. Warth), 98
 Books Available in Paperback, 94
 Books Not to Read, 95
Curious World of Twins, by Vincent and Margaret
 Gaddis, 47
Eastern Panther, The, by Bruce S. Wright, 97
Flying Saucer Books & Pamphlets in English: A
 Bibliographical Checklist, by Norman Brennan,
 22
Forbidden Land, by Robert R. Lyman, 48
Guinness Book of Animal Facts and Feats, The,
 by Gerald L. Wood, 97
I Ching Games, by H. Y. Li and Sibley S. Morrill, 21
Insect Behavior, by Philip S. Callahan, 48
Lightning Book, The, by Peter E. Viemeister, 99
Animals Newsletter, by Jim McClarin, 96
Monster Hunt, by Tim Dinsdale, 46
Mysteries from Forgotten Worlds, by Charles
 Berlitz, 48
Mysterious West, The, by Brad Williams and Choral
 Pepper, 21
New Horizons (journal), 98
Not of This World, by Peter Kolosimo, 22
Occult America, by John Godwin, 45
Our Haunted Planet, by John A. Keel (rev. by
 I. T. Sanderson), 20
Roots of Coincidence, The, by Arthur Koestler, 97
Secrets of the Great Pyramid, by Peter Tomkins, 22
Slavery: Past and Present, by Roy Pinney, 48
Strange Disappearances, by Brad Steiger, 71
UFO Experience, The: A Scientific Inquiry, by
 J. A. Hynek (rev. by I. T. Sanderson & Marion
 L. Fawcett), 70
Use of Lateral Thinking, The, by Edward de Bono,
 96. See also p. 95
World of the Jaguar, The, by Richard Perry, 98

THE SOCIETY FOR THE INVESTIGATION OF THE UNEXPLAINED

GOVERNING BOARD

*President (elected for 5 years)	Hans Stefan Santesson
*First Vice-President (life)	Ivan T. Sanderson
*Second Vice-President (life)	Edgar O. Schoenenberger
*Secretary (life)	Sabina W. Sanderson
*Treasurer (elected one year)	Allen V. Noe
Board Member (elected one year)	Adolph L. Heuer, Jr.
Board Member (elected one year)	Daniel F. Manning
Board Member (elected one year)	Robert C. Warth
Board Member (elected one year)	Mark A. Hall
*Trustees in accordance with the laws of the State of New Jersey	
Legal Counsel	Judge John C. Stritehoff, Jr.
Accountant & Auditor	Thelma K. Yohe

EXECUTIVE BOARD

Director	Ivan T. Sanderson
Executive Secretary	Mark A. Hall
Executive Secretary	Marion L. Fawcett
Technical Director	Robert C. Warth
Mass Media	Walter J. McGraw
Promotion and Publicity	Daniel F. Manning
Productions	Michael A. Jarmus

EDITORIAL BOARD

Editor and Publisher	Hans Stefan Santesson
Managing Editor	Ivan T. Sanderson
Executive Editor	Marion L. Fawcett
Consulting Editor	Walter J. McGraw
Assistant Editor	Daniel F. Manning

SCIENTIFIC ADVISORY BOARD

- Dr. George A. Agogino – Chairman, Department of Anthropology, and Director, Paleo-Indian Institute, Eastern New Mexico University. (Archaeology)
- Dr. N. Burtshak-Abramovitch – Academician, Georgian Academy of Science, Palaeobiological Institute; University of Tblisi. (Palaeontology)
- Dr. Carl H. Delacato – Associate Director, Institutes for the Achievement of Human Potential, Philadelphia, (Mentology)
- Dr. W. C. Osman Hill – Dublin and London (Comparative Anatomy)
- Dr. J. Allen Hynek – Director, Lindheimer Astronomical Research Center, Northwestern University. (Astronomy)
- Dr. George C. Kennedy – Professor of Geology, Institute of Geophysics, U.C.L.A. (Geomorphology and Geophysics)
- Dr. Martin Kruskal – Program in Applied Mathematics, Princeton University. (Mathematics)
- Dr. Samuel B. McDowell – Professor of Biology, Rutgers University, Newark, New Jersey. (General Biology)
- Dr. Vladimir Markotic – Professor of Anthropology, Department of Archaeology, University of Alberta, Canada (Ethnosociology and Ethnology)
- Dr. Kirtley F. Mather – Professor of Geology, Emeritus, Harvard University. (Geology)
- Dr. John R. Napier – Unit of Primate Biology, Queen Elizabeth College, University of London. (Physical Anthropology)
- Dr. W. Ted Roth – President, Roth Research-Animal Care, Inc., Washington, D. C. (Ethology)
- Dr. Frank B. Salisbury – Head, Plant Science Department, College of Agriculture, Utah State University. (Phytochemistry)
- Dr. Berthold Eric Schwarz – Consultant (Brain-Wave Laboratory), Essex County Medical Center, Cedar Grove, New Jersey. (Mental Sciences)
- Dr. Roger W. Wescott – Professor and Chairman, Department of Anthropology, Drew University, Madison, New Jersey. (Cultural Anthropology and Linguistics)
- Dr. A. Joseph Wraight – Chief Geographer, U. S. Coast & Geodetic Survey. (Geography and Oceanography)
- Dr. Robert K. Zuck – Professor and Chairman, Department of Botany, Drew University, Madison, New Jersey. (Botany)

