

the apro bulletin

The A.P.R.O. Bulletin is the official copyrighted publication of the Aerial Phenomena Research Organization, Inc., (A.P.R.O.), 3910 E. Kleindale Rd., Tucson, Arizona 85712, and is issued every month to members and subscribers. The Aerial Phenomena Research Organization, Inc., a non-profit corporation established under the laws of the State of Arizona and a federally recognized scientific and educational tax-exempt organization, is dedicated to the eventual solution of the phenomenon of unidentified flying objects. Inquires pertaining to membership and subscription may be made to the above address.

VOL. 24, NO. 6

TUCSON, ARIZONA

DECEMBER 1975

WALTON TAKES POLYGRAPH TEST

Mystery Rockets Over Eastern U.S.

Captain C.S. Wilson of Eastern Airlines radioed the regional air traffic control center at Leesburg, Virginia at 4:10 p.m. on November 19, 1975, and reported sighting two "missiles" or "rockets" at 1,000 feet above his DC-9. The Eastern flight, en route from West Palm Beach, Florida to Washington, D.C., was ascending from 24,000 feet to an assigned altitude of 15,000 feet as part of its approach to National Airport. The sighting occurred about 60 miles south of Richmond, Virginia in the vicinity of Emporia.

Raymond G. Belanger, chief of the Federal Aeronautics Association's air traffic service, acknowledged that the report was legitimate and that Wilson indeed had reported the incident.

The story was carried in the November 21 edition of the Washington Post and on the 22nd the Washington Star followed up with an article which said the Defense Department and the National Aeronautics and Space Administration had announced that no missiles had been fired in the area which would account for the Eastern sighting. A spokesman for the FAA said there was a possibility that the missiles were in reality meteorites and that "meteor showers are common in that area at that time of the year."

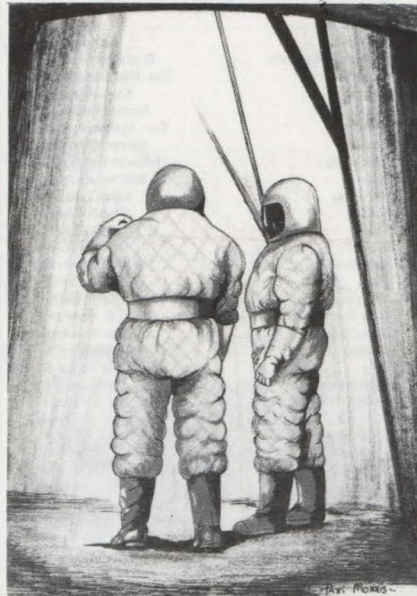
Sources at the post and Star indicated that Wilson and his co-pilot reported objects with definite configurations which in no way gave the appearance of meteors.

Radar-Visual Case In Yugoslavia

APRO'S Yugoslavian Representative, Milos Krmelj, has forwarded the following report of a radar-visual case involving airport employees:

At 5:47 p.m. on the 30th of October, 1975, a DC-9 under the command of Captain Miliivoje Roncevic was making practice take-offs and landings at the

(See Yugoslavia - Page Three)



New Mexico Occupant Case

During the course of his investigation of the Walton case, Field Investigator Raymond Jordan obtained a lead on a possible occupant report in Deming, New Mexico, dating back to 1972. The case was turned over to Field Investigator Patti Morris, who submits the following report and accompanying sketch which was done to the specification of the witnesses:

On a clear but dark summer evening in June or July 1972 (exact day and month uncertain), Mrs. Hilda McAfee (a lady in her late 50s) and her elderly mother were on their way home by car from Las Cruces, New Mexico, to Deming. Interstate 10 was relatively devoid of traffic as they clipped along at about 65 miles per hour, heading west. At about 23 miles east of Deming the evening was disrupted by a beam of blue light which shone down on them from what seemed to be a short distance straight ahead, and emanating from the same lane in which they were driving. The light was huge and blinding and Mrs. McAfee prepared to swerve around an object on the ground

(See Occupant - Page Three)

In UFO research, circumstances require that many rumors and details must be pursued in order to develop a case fully.

Tips and rumors both positive and negative must be developed to determine their merit. While this is time-consuming, there seems to be no alternative, for false rumors, if left unchecked, could distort the total picture.

For example, the NICAP (National Investigations Committee on Aerial Phenomena) *UFO Investigator* relied heavily on a statement attributed to the Sheriff of Navajo County, Arizona, where the Walton abduction allegedly took place, in discrediting the Travis Walton case. Dr. William Bickel relayed to NICAP the rumor that Travis Walton had called a radio talk show host before his abduction incident and volunteered to be on the show and was rebuffed as a "kook". He allegedly called the host after the incident to say "now who's a kook?" Dr. Bickel told APRO that this story was given to him by Ken Coplan, an undersheriff, rather than the sheriff. APRO checked with Ken Coplan to learn the identity of the alleged talk show host and check out the story at its source but Coplan denied ever making such a statement to Dr. Bickel or anyone else.

Sargeant Roma, who answered the telephone when we called the sheriff's office was asked about the rumor and he stated flatly that it was a bunch of malarkey.

It is probably relevant that sometime back Coplan was quoted in the press as saying that his boss, Sheriff Gillespie did not believe the Walton story - however, Gillespie, while maintaining a neutral posture to the press, has privately told friends and associates that he believes Walton.

Bringing the case up to date, on February 8, 1976, Duane and Travis Walton were interviewed by Dr. Harold Cahn, APRO's consultant in Parapsychology and Physiology, and Dr. R. Leo Sprinkle, our consultant in Psychology, in Phoenix, Arizona. Duane and Travis were also given a polygraph test which was administered by George J. Pfeiffer, of the Ezell Polygraph Institute, which is certified and licensed in the State of Arizona. Mr. Pfeiffer is an

(See Walton - Page Three)

THE A.P.R.O. BULLETIN

Copyright 1976 by the
**AERIAL PHENOMENA
 RESEARCH ORGANIZATION, INC.**
 3910 E. Kleindale Road
 Tucson, Arizona 85712
 Phone: 602 - 793-1825 and 602 - 326-0059
 Coral E. Lorenzen, Editor
 R. Michael Rasmussen, Assistant Editor
 Norman Duke, Richard Beal,
 Brian James, Lance P. Johnson, Artists
 Robert Gonzales

A.P.R.O. STAFF

International Director L.J. Lorenzen
 Director of Research James A. Harder, Ph.D.
 Public Relations Hal Starr
 Secretary-Treasurer Coral E. Lorenzen
 Membership Secretary Madeleine H. Cooper
 Staff Librarian Allen Benz
 Office Manager Sheila Kudrle

CONSULTING PANELS

Biological Sciences
 Anatomy Kenneth V. Anderson, Ph.D.
 Biochemistry Vladimir Stefanovich, Ph.D.
 Botany Robert J. Hudek, Ph.D.
 Botany Robert Mellor, Ph.D.
 Exobiology Frank B. Salisbury, Ph.D.
 Microbiology Mohammed A. Athar, Ph.D.
 Physiology Harold A. Cahn, Ph.D.
 Zoology Richard Etheridge, Ph.D.
 Zoology Burt L. Monroe, Jr., Ph.D.

Medical Science

Medicine Louis E. Daugherty, M.D.
 Medicine Benjamin Sawyer, M.D.
 Medicine R. Donald Woodson, M.D.
 Psychiatry Jule Eisenbud, M.D.
 Psychiatry L. Gerald Lauffer, M.D.
 Psychiatry Berthold E. Schwarz, M.D.

Physical Sciences

Aeronautics Rayford R. Sanders, M.S.M.E.
 Astronomy Daniel H. Harris, B.S.
 Astronomy Leo V. Standelord, Ph.D.
 Astronomy Walter N. Webb, B.S.
 Astrophysics Richard C. Henry, Ph.D.
 Civil Engineering James A. Harder, Ph.D.
 Civil Engineering Charles E. Martin, B.S.
 Computer Technology Vlastimil Vysin, Ph.D.
 Electrical Engineering Kenneth Hessel, Ph.D.
 Electrical Engineering Brian W. Johnson, Ph.D.
 Geochemistry Harold A. Williams, Ph.D.
 Geology Philip Self, Ph.D.
 Mechanical Engineering Arlan K. Andrews, Sc.D.
 Metallurgy Robert W. Johnson, Ph.D.
 Metallurgy Walter W. Walker, Ph.D.
 Oceanography Dale E. Brandon, Ph.D.
 Optics B. Roy Frieden, Ph.D.
 Physics Michael J. Duggin, Ph.D.
 Physics Richard F. Haines, Ph.D.
 Physics Gerhard H. Wolter, Ph.D.
 Physics Robert M. Wood, Ph.D.
 Radiation Physics Horace C. Dudley, Ph.D.
 Seismology John S. Deerr, Ph.D.

Social Sciences

History David M. Jacobs, Ph.D.
 Linguistics P.M.H. Edwards, Ph.D.
 Philosophy Norman J. Cockburn, Ph.D.

Philosophy Robert F. Creggan, Ph.D.
 Philosophy Emerson W. Shideler, Ph.D.
 Philosophy Kathleen M. Squadrito, Ph.D.
 Psychology Terry L. Maple, Ph.D.
 Psychology Michael A. Persinger, Ph.D.
 Psychology R. Leo Sprinkle, Ph.D.

REPRESENTATIVES

Argentina Guillermo Gainza Paz
 Australia Peter E. Norris
 Belgium Edgar Simons
 Bolivia Fernando Hinojosa V.
 Brazil Prof. Flavio Pereira
 Britain Anthony R. Pace
 Ceylon K.P.K. DeAbrew
 Chile Pablo Petrowsitch S.
 Colombia John Simon
 Costa Rica Rodolfo Acosta S.
 Cuba Oscar Reyes
 Czechoslovakia Jan Bartos
 Denmark Erling Jensen
 Dominican Republic Guarionix Flores L.
 Ecuador Gen. Raul Gonzales A.
 Finland Kalevi Hietanen
 France Richard Niemtzw
 Germany Capt. William B. Nash
 Greece George N. Balanos
 Guatemala Eduardo Mendoza P.
 Holland W.B. van den Berg
 Honduras Julian Lanza N.
 Ireland Martin Feeney
 Italy Roberto Pinorri
 Japan Jun'ichi Takanashi
 Lebanon Menhis El Khatib
 Malta Michael A. Saliba
 Mexico Roberto Martin
 New Guinea Rev. N. C. G. Cruittwell
 New Zealand Norman W. Allford
 Norway Richard Farrow
 Peru Joaquin Vargas F.
 Puerto Rico Frank Cordero
 Philippine Republic Col. Aderito A. deLeon
 Rumania Tiberius A. Topot
 Sierra Leone Bernard J. Dodge
 Singapore Yip Mien Chun
 South Africa Frank D. Morton
 Spain Pedro Redon
 Sweden K. Gosta Rehn
 Switzerland Dr. Peter Creola
 Taiwan Joseph March
 Tasmania William K. Roberts
 Trinidad Eurico Jardim
 Turkey Adnan Gur, Ph.D.
 Venezuela Jose M. Pascual
 Yugoslavia Milos Krmeij

A.P.R.O. Membership including Bulletin:
 U.S., Canada and Mexico \$8.00/yr.
 All other countries \$9.00/yr.
 Subscription to Bulletin Only:
 U.S., Canada and Mexico \$8.00/yr.
 All other countries \$9.00/yr.

News wires, newspapers, radio and television stations may quote up to 250 words from this publication, provided that the Aerial Phenomena Research Organization, Inc. (or A.P.R.O.), Tucson, Arizona, is given as the source. Written permission of the Editor must be obtained for quotes in excess of 250 words.

had already tracked down a positive identification through both a Richmond newsman and Project Blue Book.

The author has solved to my satisfaction, or at least cast considerable doubt upon, several so-called "classic" cases - South Hill, the Trent photos, the Montana film, the RB-47 case, and the Bentwaters-Lakenheath case. Personally, I have always regarded any reports involving UFO photographs, small undefined objects, or lights in the sky as undeserving of the "classic" label, no matter how seemingly faultless they at first may appear, because such cases nevertheless remain open to further scrutiny and interpretation.

Klass re-examined the above incidents with a skeptical eye and emerged with plausible answers for each one. Unbiased investigators should be willing to acknowledge his contributions in these particular cases. The refusal of the American Institute of Aeronautics and Astronautics (AIAA) to print Klass's full analysis of the RB-47 case demonstrated a surprisingly callous attitude on the part of the AIAA's UFO Subcommittee, thereby effectively cutting off a scientific forum and debate on the incident.

In the South Hill affair, I happened to have read three separate investigation reports and felt Klass's findings substantially reduced the value of the case. I urged the National Investigations Committee on Aerial Phenomena (NICAP), the group which performed the initial probe into the South Hill episode, to accept Klass's offer to read his investigation report. I also recommended a follow-up story in NICAP's newsletter in order to include Klass's additional evidence. Instead, NICAP declined to adopt either suggestion.

Generally, the nearer and more structured the reported UFO, the more difficulty the author has in coming up with a reasonable explanation for the event. It is here, with the close-range encounters, that the author's credibility breaks down. This reviewer does not concur with Klass's hoax or delusion hypotheses for the Socorro, New Guinea, Hills, Pascagoula, and Coyne cases. It is unfortunate that the author, either unconsciously or deliberately, overlooks important pertinent data in each of these incidents.

In the Socorro episode, supporting testimony is blithely distorted or ignored altogether. The unidentified motorist's report is branded "false" because the driver couldn't have seen the UFO and Lonnie Zamora's cruiser at the same time. However, the Socorro newspaper account doesn't actually specify the time interval between the motorist's sighting of the UFO and the car, only that both were seen. And, as in Klass's first book, Army Captain Holder's significant statement is

(See Explained - Page Five)

UFOs Explained

by Phillip J. Klass

Random House, N.Y., 369 pp., \$7.95

Seven years ago Philip J. Klass, who is the Senior Avionics Editor of Aviation Week and Space Technology magazine, wrote a book, *UFOs - Identified*, which purported to explain many UFOs as plasmas. The trouble with plasma was that Klass's hypothesis did not, in fact, duplicate the reported behavior of UFOs as observed under a wide variety of situations, and the theory was stretched to the point of incredulity to account for the stubborn close-encounter cases.

Despite another presumptuous title, his second book, *UFOs Explained* is a vast improvement over the first volume and is an absolute "must" for anyone who calls himself a serious UFO researcher. Most especially, it should be read by all

proponents of the extraterrestrial hypothesis. Klass deserves a great deal of justifiable praise for he has, I believe, explained the unexplainable in some of the cases that have been considered "classics" by many investigators. He has been successful simply because, in his words, "case investigators have failed to devote a sufficiently rigorous effort to the investigation."

In illustrating how competent UFO investigators can be fooled, the author gives himself an unearned pat on the back for suggesting in Chapter 25 what proved to be the correct explanation for a sighting by myself and my wife near Richmond, Virginia. Not only had my first thought been a possible aerial tow target or drone, but also by the time Klass offered his tow-target proposal, I

Walton

(Continued from Page One)

ex-police officer with many years of experience in law enforcement and is a licensed and experienced polygraph operator.

Dr. Cahn arraged for the tests and chose the Ezell Institute.

At this time Dr. Sprinkle reviewed the Roschach test and Minnesota Multiphasic Personality Inventory test results and gave us his evaluation.

Both Duane and Travis Walton passed the Polygraph tests. The pertinent questions asked of Travis and their answers follow:

1. Before November 5, 1975, were you a UFO buff? Answer: No.

2. Since November 1, 1975, have you used any illegal drugs? Answer: No.

3. Have you been truthful with Mr. Lorenzen in the account of your UFO experience? Answer: Yes.

4. Were you struck by a blue-green ray on the evening of November 5, 1975? Answer: Yes.

5. Are there approximately only 2 hours you recall during your UFO experience? Answer: Yes.

6. Did you find yourself on a table in a strange room? Answer: Yes.

7. Did you see three strange creatures in the room? Answer: Yes.

8. Did you conspire with another to perpetrate a hoax in this matter? Answer: No.

9. Have you been reasonably accurate in describing your experience? Answer: Yes.

Dr. Sprinkle gave us his thoughts concerning the case: His impression of the Travis Walton case is that it is a good one because of the variety of elements involved — the number of witnesses to the sighting of the UFO, the polygraph examinations relating to the experience they had, etc.

Travis Walton, himself, is a very impressive witness. He discusses his experience with subdued descriptions — he tries to be complete and factual when responding to questions. Information from the Roschach, Minnesota Multiphasic Personality Inventory test, (MMPI) blood tests and polygraph operator descriptions indicate a singular conclusion.

Travis Walton is puzzled by some of his experience, but doesn't attempt to speculate and explain it.

The results of the Rorschach and MMPI tests indicate a personality within the range of normal, indicating an awareness of self, a tendency toward being critical of what others say and a tendency toward being conscientious about and analytical of his own comments.

Sprinkles' impression of Travis Walton is that of a young man who, although not

highly educated, is a very astute observer and willing to aid serious UFO research in any way possible.

Our own appraisal of Walton (who categorically denies the talk show rumor) is that he is, by nature, shy and not the sort to seek attention. Although he has been described repeatedly as a "UFO buff" or student of UFOs in the press, this has not been born out by our investigation. Our findings are that he has a healthy curiosity about many things including UFOs but had never bought a book on the subject or joined a UFO organization — in fact he did not know that such organizations existed.

— Jim & Coral Lorenzen

Occupant

(Continued from Page One)

just ahead.

As she pulled around the object, the two women were within viewing distance of two men bathed in the brilliant blue light, but only gathered a quick view of them. They appeared to be of average height and rather stocky. They were clad in pale, blue, bulky quilted coveralls. Mrs. McAfee's mother noted that they were wearing wide belts which matched the coveralls, gloves, with no insignias in evidence. Mrs. McAfee said they were wearing dark boots which reached the mid-calf. Both agreed that the "men" were identically dressed and wore helmets similar in appearance to those worn by motorcyclists, including a visor (dark) which concealed the facial features.

The figures appeared "rigid" and not aware of, or if so, unconcerned about, the presence of the two women. One had his back turned to the women and seemed to be working on something connected with the object located above them, while the other was turned sideways, facing him, and appeared to be talking to his companion. Both were standing flat on the pavement, either beside or underneath the presumed object and the blue light which shone down on them from a point somewhere above. At the same time the beam of light which had been focused on the two women was still glaring at them, and followed the car as it drove around the men and object.

Also noted were black rods estimated to be four or five inches wide located near the "men", but no details were noted. The entire object was described as being obscure and no sound was heard. The only lights visible were the light from above and the spotlight and the object was vaguely discerned as about the size of a truck and sitting high off the ground. Mrs. McAfee said she wasn't certain but that they may have passed partially under

the object in their attempt to avoid hitting it.

After they passed the men and the object, the women looked back but all was dark and no trace was seen of the tableau. They later speculated that whatever it was, had used the light to prevent a collision and turned it off after the women had passed it. Mrs. Morris concurred on this point.

An odd aspect of this case is the aftermath. Both women suffered a burning, aching pain in their chests and arms after the encounter, and "even their bones" seemed to hurt. Both ladies thought the pain was caused by the light which was so brilliant it lit up the floorboards of the car and was much brighter than daylight. Neither of the women had ever had a UFO experience before and were totally unaware of them.

Field Investigator Morris was very impressed with the sincerity of the two women who were eager to tell of their experience. Mrs. McAfee is landlady to Mr. "Chaney" Rogers, who is a brother of Mike Rogers, one of the six witnesses to the Travis Walton incident. It was because of the Walton incident that Mrs. McAfee and her mother decided to divulge their experience. Mrs. McAfee decided no one would laugh at them now.

Other information about the site of the McAfee incident: Terrain: flat desert land. Population: sparsely settled. Weather: Clear, warm. Air Traffic: non noticed. Overall time of sighting: five minutes. Noise/odor: none.

Yugoslavia

(Continued from Page One)

Tivat airport near Tifograd, Yugoslavia. Personnel on the ground were listening to the radio discussions between Captain Roncevic and the control tower regarding the good aspects of the student pilots' landings and take-offs, and those which needed corrections. A tape recorder was recording the conversations.

At 5:49 p.m., the Tivat control tower informed Dubrovnik Airport that experimental DC-9 was headed in their direction. One minute later the airport flight controller at Dubrovnik called back and asked: "Please ask the captain of the DC-9 if he can see some kind of flying body?"

Tivat Control: "What kind of body?"

Dubrovnik: "We don't know what's happening, but we have an unknown object on radar which is approximately 48 kilometers from the airport. The second object is visible north of us."

Tivat: "Is this another flying saucer matter?"

(See Yugoslavia — Page Four)

Yugoslavia

(Continued from Page Three)

Dubrovnik: "An unknown object flew over this airport an hour and a half ago. We could see contrails following it similar to those made by our jets. It also registered on radar."

Tivat: "Do you still see it?"

Dubrovnik: "I still see it and it is headed in your direction."

At this point, flight control in Tivat radioed Captain Roncevic and asked if he could see the object but he replied that he saw nothing.

Meanwhile, in the airport building at Dubrovnik, tension was growing. Except for those technicians involved with maintaining the runway lighting system, no one was paying any attention to the DC-9 exercises and most of the occupants of the control tower were searching the night skies for some trace of the UFO.

Miroslav Bogosavljev, chief of the firm Electronica (an engineering sub-division of the Belgrade - based SUMADIJA) was in the tower and suddenly exclaimed: "It's over the Gulf."

At that moment, all who were watching saw the object. It was a large light source, larger than any star in the sky, growing in size and changing from green to a yellow-red color.

At that moment all who were looking for the object spotted it. From Obosnik hill (about 128 meters high), Slobodan Oketic, an electronic technician called in via walkie-talkie: "Did you people see something which flew over Bokakotorska? It closes at very high speed and changes colors. Did you see it?"

Bogosavljev replied that they had seen it, in the excitement forgetting that Oketic was unable to hear the transmission from the control tower.

One of those watching with binoculars called out that the object had stopped its flight. The technician at Obosnik called in again and reported that the object was at an altitude between 5,000 and 6,000 meters.

At 6:14 p.m., the DC-9 made its last landing at Tivat airport but few even noticed for their attention was riveted on the unidentified light source which, a few seconds later, increased its speed and flew toward the open sea.

At this point, almost simultaneously, Bogosavljev stated that the object appeared to be flying beyond the speed of sound and Dubrovnik airport called in to say that the object was out of sight. The object was witnessed by no less than 20 people, including newsman A. Zivanovic, but Captain Roncevic and his crew did not observe it, due no doubt to their duties on the aircraft.

Mr. Krmelj has been a strong supporter of the UFO research movement in Eastern Europe and reports that the

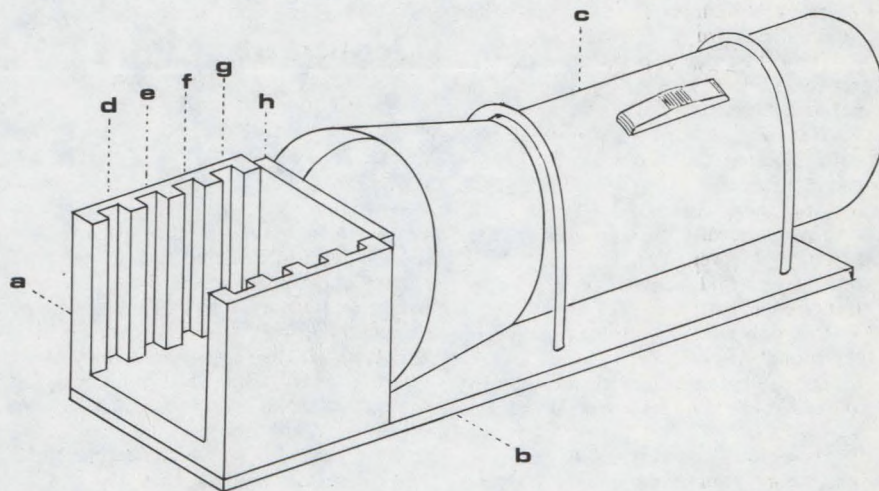
Slovenian UFO research society now numbers between 150 and 200 members. We congratulate Mr. Krmelj on his energy and efforts on behalf of civilian UFO research and APRO in particular.

Making Intensity Estimates And Measurements

(Conclusion)

Richard F. Haines, Ph.D.

(Continued from November Bulletin)



Measuring Luminous Intensity and Luminance:

Battery powered photometers are available. Several are shown in figure 5. A typical camera light meter is of little use because of its wide acceptance angle and narrow dynamic range. Prices vary but tend to be proportional to the measurement accuracy attainable, ruggedness, and versatility of use (e.g., degree of compatibility with various attachments).

The text *Photometry* by Walsh (ref. 15) should be read along with the operating manual that accompanies the photometer you use. Measurement of luminous energy is still an art and requires great care and precision to achieve good measurement accuracy.

Conclusions:

This series of brief articles can do little more than emphasize the basic factors involved in measuring the space, time, and energy domains. These comments have been supplemented by other, more detailed, references for the interested reader. I hope that the material given here will be put to use by everyone who is involved in the study of UFOs. It is truly an interdisciplinary arena of study as is

suggested by the diversity of the following computer-key words for this series: atmospheric transmission, calibration, estimation ability, human factors, illusions, measurement techniques, optics, photometry, standardization, terminology, vision, visual perception.

* Copyright, 1975, Richard F. Haines

References

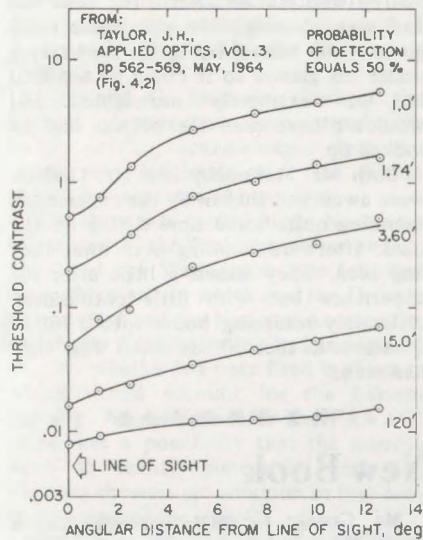
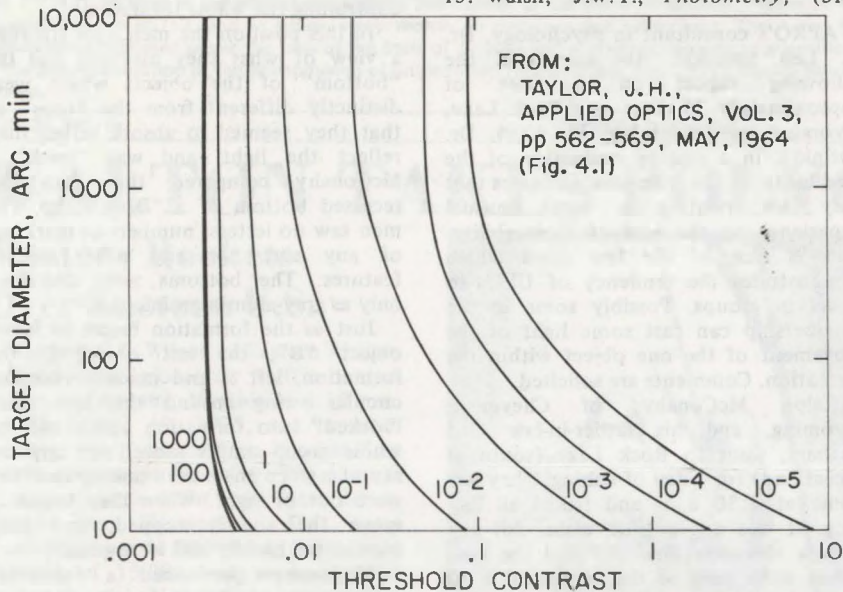
References Cited:

1. Anon., *Radiometry*, Amer. Inst. of Physics (selected reprints), Dept. BN, Amer. Inst. Physics, 335 E. 45th. St., New York, 10017, (85 Pp), (no date).
2. Bartley, S.H., The psychophysiology of vision, (chpt. 24 in, Stevens, S.S. (Ed.), *Handbook of Experimental Psychology*, John Wiley & Sons, New York, 1962).
3. Blackwell, H.R., Contrast thresholds of the human eye, *J. Opt. Soc. of Amer.*, 36(11):624-643, 1946.
4. Cornsweet, T.N., *Visual Perception*, Academic Press, New York, 1970.
5. Griffin, D.R., Hubbard, R., & Wald, G., The sensitivity of the human eye to infra-red radiation, *J. Opt. Soc. of Amer.*, 37:546-554, 1947).
6. Gordon, J.I., Distributions of sky luminance, (Appendix 1, in, *Visibility*, Univ. of Calif., Scripps Inst. of Oceanography, Visibility Laboratory, Report 64-3 and 64-5, 1964.
7. Hecht, S., & Yun Hsia. Dark adaptation following light adaptation to red and white lights, *J. Opt. Soc. of Amer.*, 35:261-267, 1945.
8. Lewin, I., Photometric units and terms. Part I, *Optical Spectra*, (Pp. 25-53), July/August, 1968.
9. Mechtly, E.A., The international system of units, physical constants

(See *Estimates* - Page Five)

Estimates

(Continued from Page Four)



and conversion factors (rev.), National Aeronautics and Space Administration, Washington, D.C., Spec. Publ. No. 7012, 1969.

10. Riopelle, A.J., & Bevan, W., Jr., The distribution of scotopic sensitivity in human vision, *Amer. J. Psychol.*, 66:73-80, 1953.
11. Taylor, J.H., Visual contrast thresholds for large targets, Part II: The case of high adapting luminances. *Scripps Inst. of Oceanography Rept.* 60-31, June, 1960.
12. Taylor, J.H., Contrast thresholds as a function of retinal position and target size for the light-adapted eye. *Scripps Inst. of Oceanography Rept.* 61-10, March, 1961.
13. Taylor, J.H., Use of visual performance data in visibility

- prediction, *Applied Optics*, 3(5):562-569, 1964.
14. Van Cott, H.P., & Kinkade, R.G. (Eds.),
 15. Walsh, J.W.T., *Photometry*, (3rd.

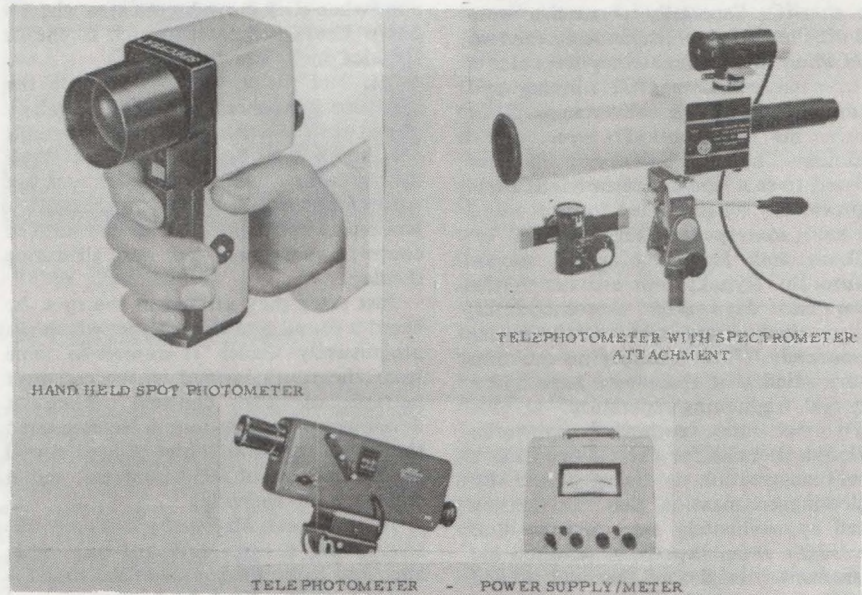
Explained

(Continued from Page Two)

again omitted ("we were informed by Nep Lopez, Sheriff's Office radio operator, that approximately three reports had been called in by telephone of a blue flame of light in the area"). Without any direct evidence for fabrication, the author resorts to hoax-by-insinuation. Just because a town chooses to capitalize on a local UFO event doesn't necessarily prove a hoax was committed in the first place.

Likewise, the author's premise for Rev. Gill (Papua, New Guinea) perpetrating a hoax seems rather flimsy and unconvincing to me. Although Gill freely conceded that some of the smaller objects could have been planets, this admission doesn't negate the close encounters involving humanoids.

This writer is very familiar with the Hill affair since I was the initial investigator. Klass is guilty of both distortion and omission of evidence in dealing with this case in each of his



ed.), Dover Publ. Inc., New York, 1958.

Footnotes:

1. Polaroid material is available from many distributors, e.g., Edmunds Scientific Corp., EDSCORP Building, Barrington, New Jersey, 08007.
2. A booklet of 44 different 1" x 4" color filters is available as item number 40,675 from Edmunds Sci. Corp. Be sure to also order the booklet of spectral transmission curves for these filters (item number 9081).

(Please send address change)

books. When he categorically states that Barney Hill "decided they ought to leave the main highway and take to some rambling back roads to 'escape' the UFO," he fails to tell the reader this assertion is *his own interpretation* of the missing two hours of the trip!

In his first book Klass tried to apply his plasma hypothesis to the Hill experience but now has apparently abandoned it as untenable. In fact, *UFOs Explained* glosses over the important initial sighting by the New Hampshire couple and fails to offer any specific motivation or explanation for this portion of the experience.

(See Explained - Page Six)

Explained

(Continued from Page Five)

A personal comment about the Hills' psychiatrist and his objectivity is in order here. Dr. Simon expressed to me a total lack of interest in the UFO topic; he refused to read the literature and sighting reports I made available to him and was oblivious of other humanoid and abduction cases.

Finally, Klass seems unaware of the Fish model which provides not only astronomical support for Betty Hill's star map but also possible evidence for the extraterrestrial origin of UFOs (Sept.-Oct. & Nov.-Dec., 1974, *Bulletin*).

Concerning the Pascagoula abduction case, most of the author's argument focuses upon the polygraph operator and his background rather than upon the initial testimony of the two witnesses and the sheriff's officers shortly after the experience allegedly occurred. At that time Hickson and Parker were reported to be in a state of extreme fright ("scared to death and shaking all over," according to the sheriff). Especially persuasive were the off-the-cuff remarks made by the two men when they thought they were alone; a tape recorder was left running and recorded their private conversation. Klass makes no mention of these taped comments by the witnesses. I have listened to this tape and must admit I was impressed by what seemed to be a mood of deep anxiety and fear conveyed by Hickson and Parker. I would sooner believe Dr. Hynek, who arrived on the scene two days after the encounter, rather than Klass when the former announced: "There's simply no question in my mind that these men have had a very real, frightening experience."

To call the author's explanation (Orionid fireball) for the Coyne UFO a gross exaggeration is being polite! By neglecting to mention that the sighting lasted approximately two minutes, that the UFO's green "spotlight" entered the clear front plexiglas of the cockpit and not the green overhead portion, and that the UFO possessed such structural details as a dome and indented trailing edge, Klass has invented a theory that is totally without merit. The Orionids are extremely swift meteors, averaging 66 km/sec. Bright member fireballs might last a few seconds but certainly *not* minutes. In very rare circumstances, exceptional non-Orionid fireballs survive 15 to 30 seconds and would be widely observed over an area of several states.

Despite these criticisms of the book, I believe *UFOs Explained* is a valuable reading experience and should be in every UFO researcher's home library.

Walter N. Webb
APRO Consultant
6/23/75

UFO Fleet Over Wyoming

APRO's consultant in psychology, Dr. R. Leo Sprinkle, has submitted the following report on a fleet of approximately 35 discs over Rock Lake, Wyoming on September 24, 1974. Dr. Sprinkle, in a lengthy evaluation of the credibility of the witnesses, indicates that they are relating a very unusual experience to the best of their ability. This is one of the few cases which demonstrates the tendency of UFOs to travel in groups. Possibly some in the membership can cast some light on the movement of the one object within the formation. Comments are solicited.

Ralph McConahy, of Cheyenne, Wyoming, and his father-in-law Carl Graham, went to Rock Lake (south of Wheatland) for a day of fishing. They left home at 7:30 a.m. and fished all day long. It was a beautiful, clear, fall day with a cloudless blue sky and the men fished both sides of the lake until 4:30 p.m. when they moved to an area where a pump house is located, which is one of Mr. McConahy's favorite spots.

Mr. McConahy was wading into the lake and fly-fishing while Mr. Graham stayed on the bank on the opposite side of the pump house and was "still fishing". They hadn't had much luck but were enjoying themselves immensely. Mr. McConahy later said that he had noticed contrails going east and west all during the day.

Just after they arrived at the spot, he heard a sound like that of a jet which got progressively louder. It seemed to come from the south instead of the east-west pattern of the contrails. Then it developed a droning sound. He compared the sound to that of a hive of bees as well as the droning of B-52 bombers, and it seemed to fill the valley.

At this point, McConahy looked to the south and a little east and saw what appeared to be the source of the sound — round objects. Then he looked up and saw that there were a large number of them in an oval-shaped formation, but the objects themselves were round and silvery and reflected the light of the setting sun. He called to his father-in-law who was out of his sight behind the pump-house. Mr. Graham replied that he could see them.

The objects were proceeding from the south, slowing down and coming in at a 25 degree angle. Up to this point the 30+ objects had been in a vertical position with their "edges" pointing up and down, but as they settled in over the lake, each one became horizontal in relation to the surface of the earth, with the second from the leading object underneath the formation, pitching and yawing at

different intervals from the rest. All the rest seemed to be moving together except for that one. McConahy said he got the impression that this particular object was controlling the whole formation.

In this position the men were afforded a view of what they assumed was the "bottom" of the objects which were distinctly different from the "tops", in that they seemed to absorb rather than reflect the light, and was "inset" — McConahy compared this with the recessed bottom of a "Dixie" cup. The men saw no letters, numbers or markings of any sort nor any other surface features. The bottoms were described only as gray-aluminum in color.

Just as the formation began to leave, object "B", the last object in the formation, left it and made a sweeping circular swing around the area, then "locked" into formation again, and the whole group simply moved off into the sky at a steep angle until one by one they were out of sight. When they began to move the sound stopped, and they accelerated rapidly and were gone.

McConahy questioned a fisherman nearby who said he's heard the noise but had seen nothing. The man wore thick glasses and baited his hook by looking under his glasses so it could be assumed he was extremely nearsighted and wouldn't have seen the objects had he looked up.

Both Mr. McConahy and Mr. Graham were awed and shaken by the experience, spending quite some time sitting on the bank afterward, mulling over what they had seen. They fished a little after the experience but with little enthusiasm, ultimately returning home with a lot of questions in their minds about what they had seen.

New Book

Mr. George Fawcett, has produced a book, "Quarter Century Studies of UFOs in Florida, North Carolina and Tennessee," published by the Pioneer Printing Co., Mount Airy, North Carolina. 90 pages in length, it can be ordered from Mr. Fawcett at P.O. Box 557, Maiden, North Carolina, 28650. \$4.50 in the U.S. and \$5.00 elsewhere.

Stop Press

A complete report on the Atlantic City, New Jersey and Clovis, New Mexico cases will be carried in a future issue of the *Bulletin*. Both of these cases required considerable witness interview as well as much follow-up work and the investigators are currently getting the reports together.